

ASSEMBLY INSTRUCTIONS & PARTS MANUAL

Technical Workstation Light and Bracket TWCTL-48 & TWLB-60



RETAIN INSTRUCTIONS FOR FUTURE REFERENCE



GENERAL SAFETY INFORMATION

Some parts may have sharp edges. CARE must be taken when handling various pieces to avoid injury. For safety, wear a pair of work gloves when assembling or performing any maintenance on the units.

LIMITED WARRANTY

Tennsco warrants goods purchased hereunder to be free of defects in materials and workmanship for a period of one (1) year from the date of shipment, hereunder. This warranty shall not apply in the event goods are damaged as a result of misuse, abuse, neglect, accident, improper application, modification or repair by persons not authorized by Seller, where goods are damaged during shipment, or where the date stamps on the goods have been defaced, modified or removed. UNLESS CONSIDERED UNENFORCEABLE OR UNLAWFUL UNDER APPLICABLE LAW:

- a. ALL IMPLIED WARRANTIES, INCLUDING BUT NOT LIMITED TO WARRANTIES OR MERCHANTABILITY AND FITNESS FOR A PARTICULAR PURPOSE ARE HEREBY EXCLUDED:
- b. BUYERS REMEDY, IF ANY, FOR ANY DEFECTIVE GOODS SHALL BE LIMITED TO A REFUND BY SELLER OR REPLACEMENT OF THE GOODS AT SELLER'S OPTION, AND SHALL IN NO EVENT INCLUDE DAMAGES OF ANY KIND, WHETHER INCIDENTAL, CONSEQUENTIAL OR OTHERWISE.

NO GOODS ACCEPTED FOR RETURN WITHOUT PRIOR APPROVAL. Seller shall have the right to inspect any goods claimed to be defective at Buyers place of business or require Buyer to return the goods to Seller for inspection on Seller's premises. Transportation charges covering returned goods will be borne by Seller only if such goods are proven to be defective, are covered by this warranty and are returned within the warranty period stated above.



PROUDLY MADE IN THE U.S.A.

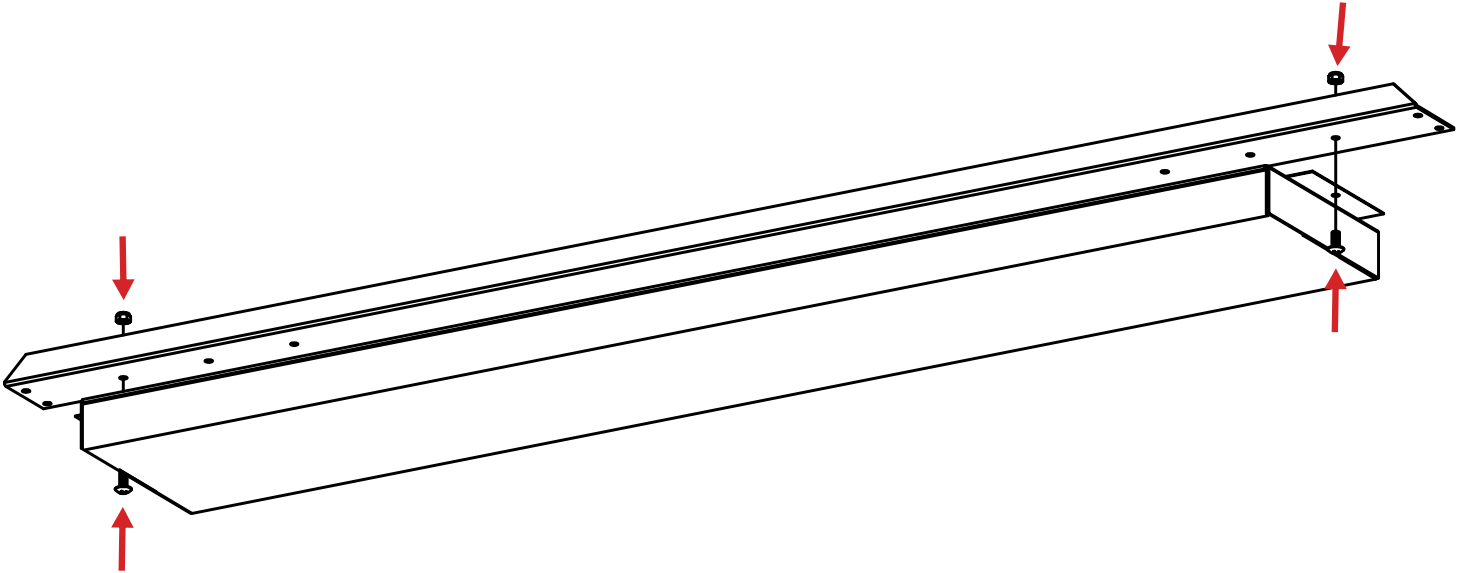
Tennsco LLC., Dickson, TN 37056-1888 • (866) 446-8686

ASSEMBLY OF SERVICE CART

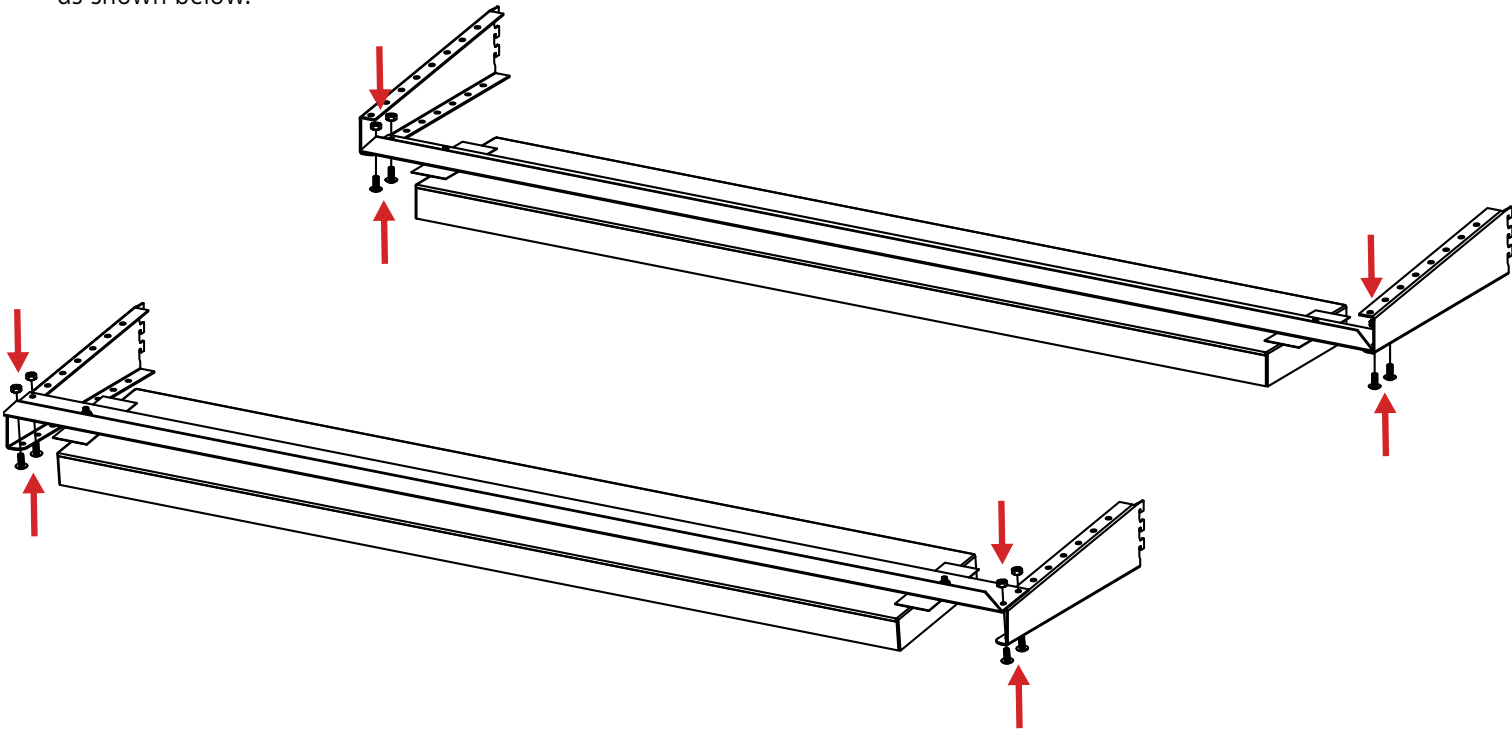
Two people are recommended for assembly. Approximate assembly time: 15-20 minutes.

The reference numbers used throughout this sheet refer to the illustration on the back cover.
This is to help you to identify the various parts as they are mentioned.

1. Place the light fixture on a flat surface. Align the holes in the cross brace with the holes in the light fixture. Attach the light fixture with two $\frac{1}{4}$ "-20 x $\frac{5}{8}$ " hex head bolts and two $\frac{1}{4}$ "-20 nuts as shown in figure below.

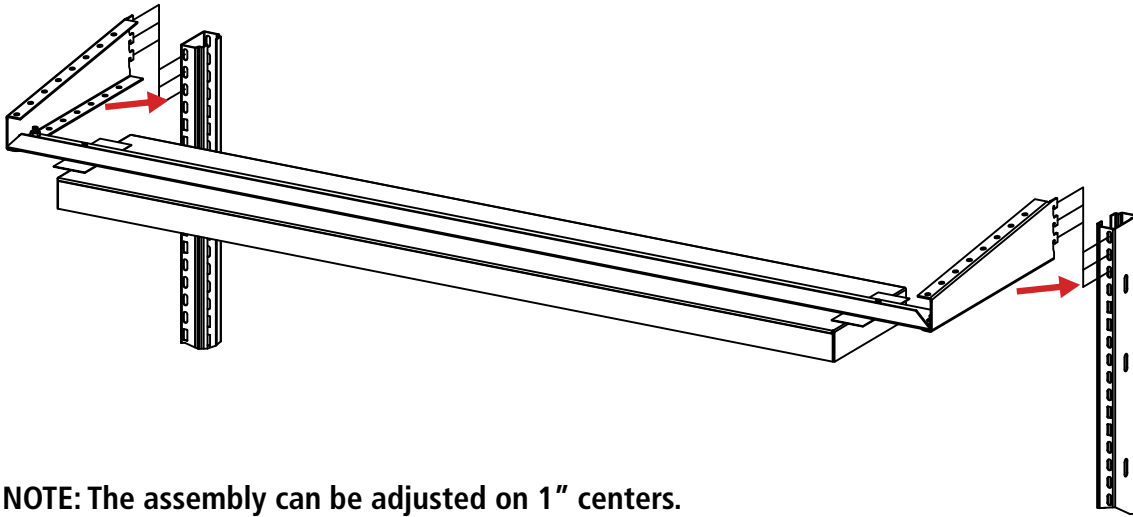


2. Choose the desired location for the cross brace on the hanging brackets. Once a location has been selected, attach the brackets to the cross brace assembly with four $\frac{1}{4}$ "-20 x $\frac{5}{8}$ " hex head bolts and four $\frac{1}{4}$ "-20 nuts as shown below.



NOTE: The light can be mounted flat on the bottom of the bracket or angled back on the top of the bracket.

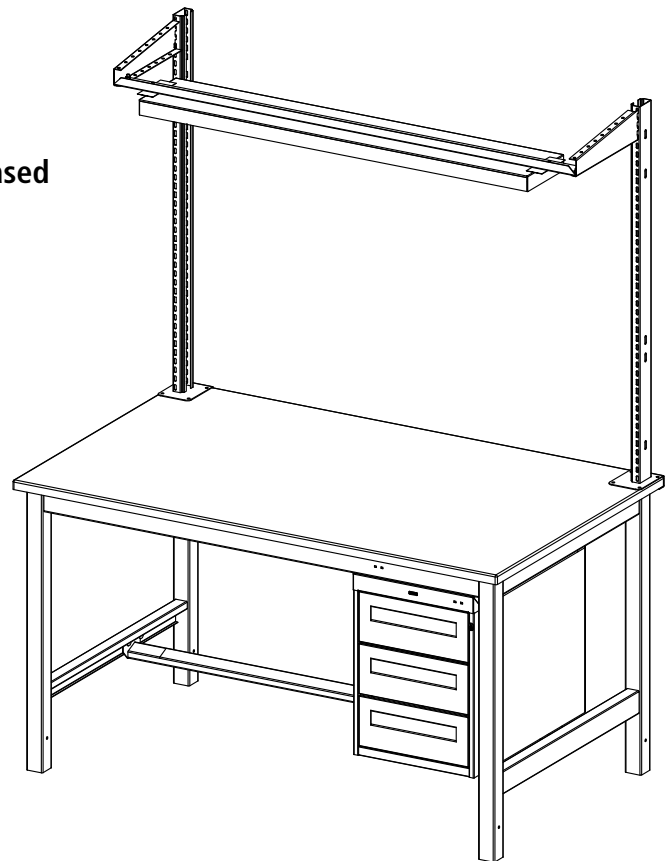
3. Attach the completed assembly to the uprights on your bench by aligning the three hooks on each bracket with the slots in the uprights as illustrated in the figure below.



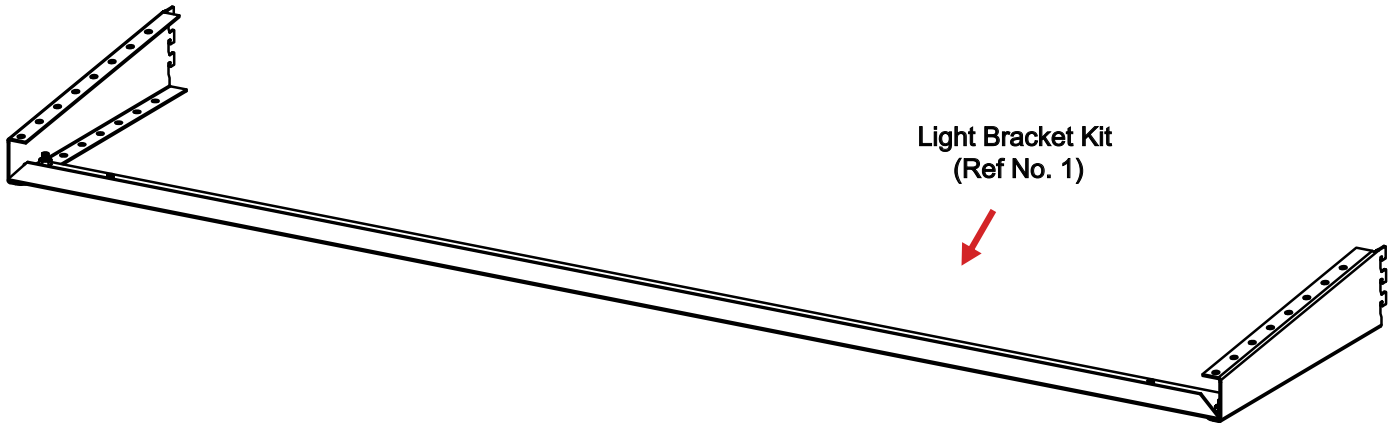
NOTE: The assembly can be adjusted on 1" centers.

4. When finished, your technical workstation light and bracket assembly should look similar to that shown in the figure below.

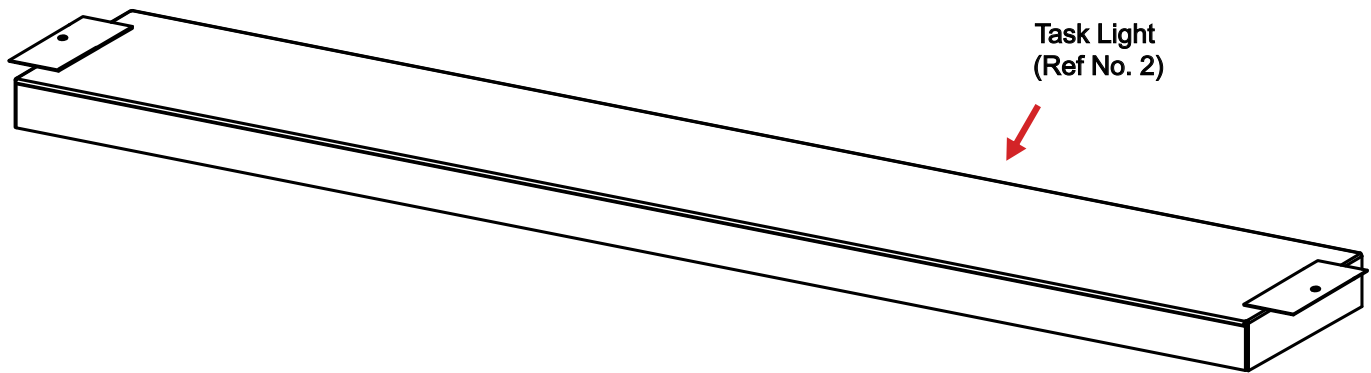
NOTE: Technical workstations will differ based on components ordered.




REPLACEMENT PARTS




Light Bracket Kit
(Ref No. 1)



Task Light
(Ref No. 2)

 1/4"-20 5/8" Bolt
(Ref No. 3)

 1/4"-20 Nut
(Ref No. 4)

REF. NO.	DESCRIPTION	PART NO.	QUANTITY
1	Light Bracket Kit	TWLB-60	1
2	Task Light	TWCTL-48	1
3	1/4" -20 5/8" Bolts	*	4
4	1/4" -20 Nuts	*	4

NOTE: Additional hardware may be included for replacement purposes.

Tennsco makes every effort to ensure that all units ship complete with all parts and arrive undamaged. However, should your unit contain missing or damaged parts, please contact your purchase location.