

ASSEMBLY INSTRUCTIONS & PARTS MANUAL

Caster Kit for Storage Cabinets Models CK18, CK24, and CK-4824



RETAIN INSTRUCTIONS FOR FUTURE REFERENCE



LOAD CAPACITIES PER SHELF LEVEL EVENLY DISTRIBUTED	
MODEL NUMBER	UNIT SIZE
CK18	36w x 18d
CK24	36w x 24d
CK-4824	48w x 24d

GENERAL SAFETY INFORMATION

Some parts may have sharp edges. CARE must be taken when handling various pieces to avoid injury. For safety, wear a pair of work gloves when assembling or performing any maintenance on products.

**Caution: This unit is intended to be pushed only on a clean level surface.
Do not pull, as injury may result.**

LIMITED WARRANTY

Tennsco warrants goods purchased hereunder to be free of defects in materials and workmanship for a period of one (1) year from the date of shipment, hereunder. This warranty shall not apply in the event goods are damaged as a result of misuse, abuse, neglect, accident, improper application, modification or repair by persons not authorized by Seller, where goods are damaged during shipment, or where the date stamps on the goods have been defaced, modified or removed. UNLESS CONSIDERED UNENFORCEABLE OR UNLAWFUL UNDER APPLICABLE LAW:

- a. ALL IMPLIED WARRANTIES, INCLUDING BUT NOT LIMITED TO WARRANTIES OR MERCHANTABILITY AND FITNESS FOR A PARTICULAR PURPOSE ARE HEREBY EXCLUDED;
- b. BUYERS REMEDY, IF ANY, FOR ANY DEFECTIVE GOODS SHALL BE LIMITED TO A REFUND BY SELLER OR REPLACEMENT OF THE GOODS AT SELLER'S OPTION, AND SHALL IN NO EVENT INCLUDE DAMAGES OF ANY KIND, WHETHER INCIDENTAL, CONSEQUENTIAL OR OTHERWISE.

NO GOODS ACCEPTED FOR RETURN WITHOUT PRIOR APPROVAL. Seller shall have the right to inspect any goods claimed to be defective at Buyers place of business or require Buyer to return the goods to Seller for inspection on Seller's premises. Transportation charges covering returned goods will be borne by Seller only if such goods are proven to be defective, are covered by this warranty and are returned within the warranty period stated above.



PROUDLY MADE IN THE U.S.A.

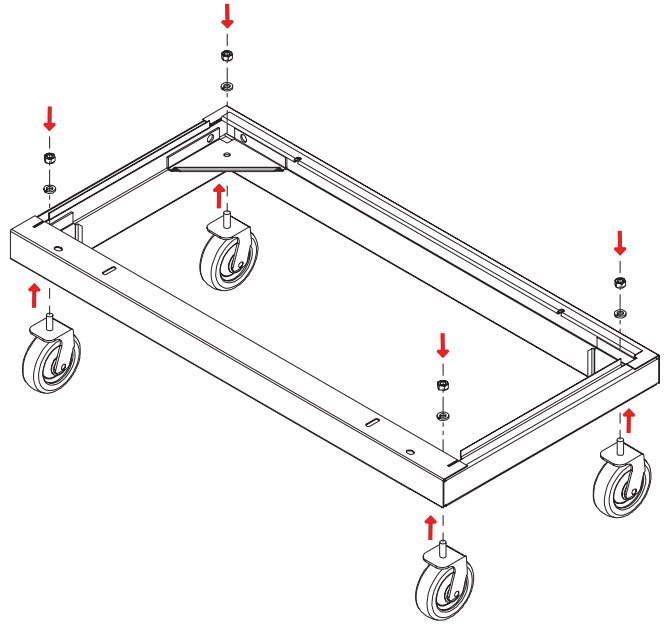
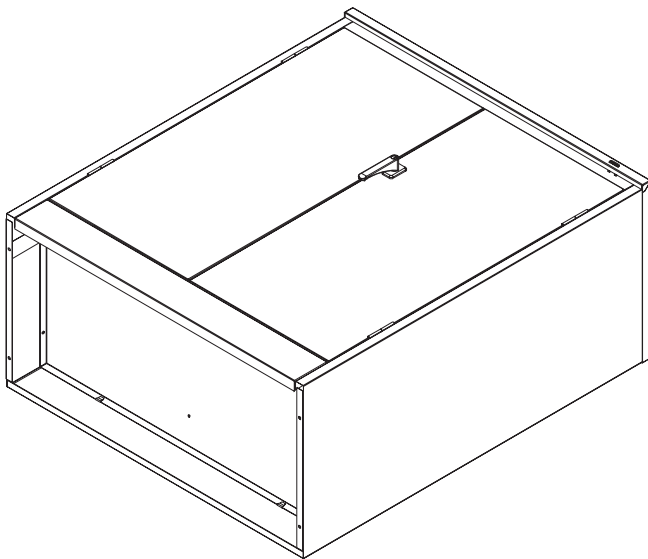
Tennsco LLC., Dickson, TN 37056-1888 • (866) 446-8686

ASSEMBLY OF CABINET CASTER KIT

Tools Needed: A free 1¹/₃₂" nut driver is included with each Tennsco cabinet.
Two people are recommended for assembly. Approximate assembly time: 20-30 minutes.

1. The reference numbers used throughout this sheet refer to the illustration on the back cover. This is to help you to identify the various parts as they are mentioned.
2. As you prepare to attach the casters, take some time to consider where you want to place the two swivel casters with brakes. If the cabinet will be placed against the wall, we recommend placing the braking casters along the front of the base.
3. Attach two swivel casters (Ref. No. 2) and two braking swivel casters (Ref. No. 3) to the caster frame (Ref. No. 1), using the nuts and washers provided (Ref. Nos. 6 and 7). Use a 9/16" wrench to tighten the casters securely.

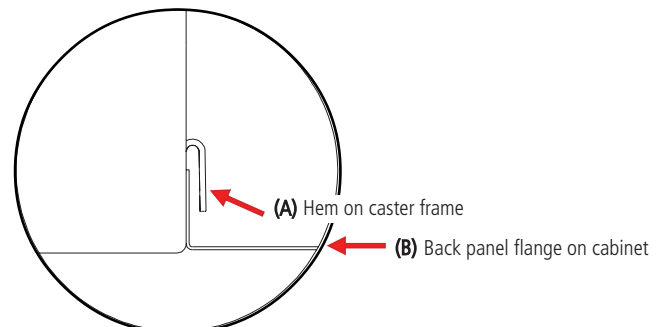
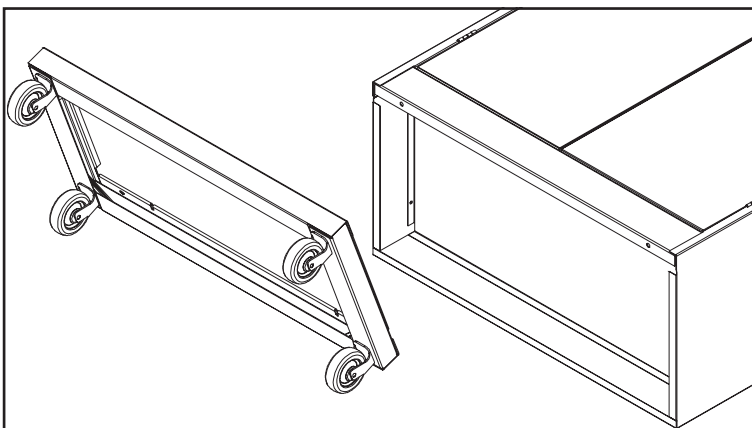
NOTE: All casters must be tight for unit to work properly



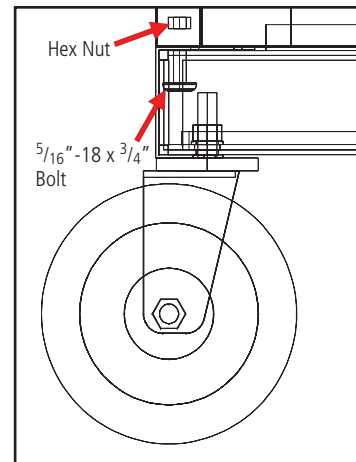
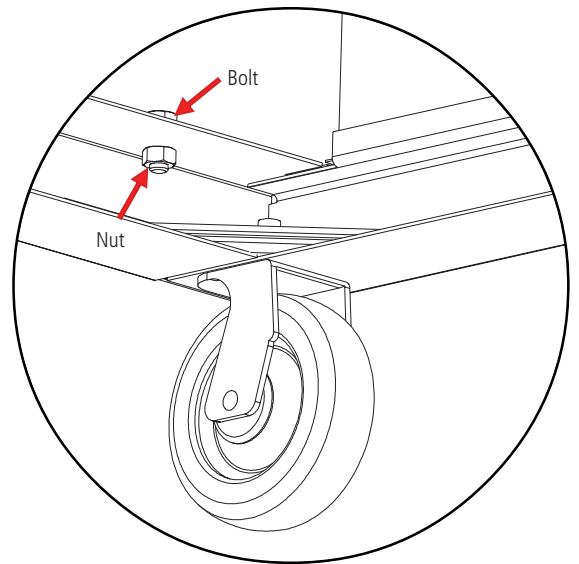
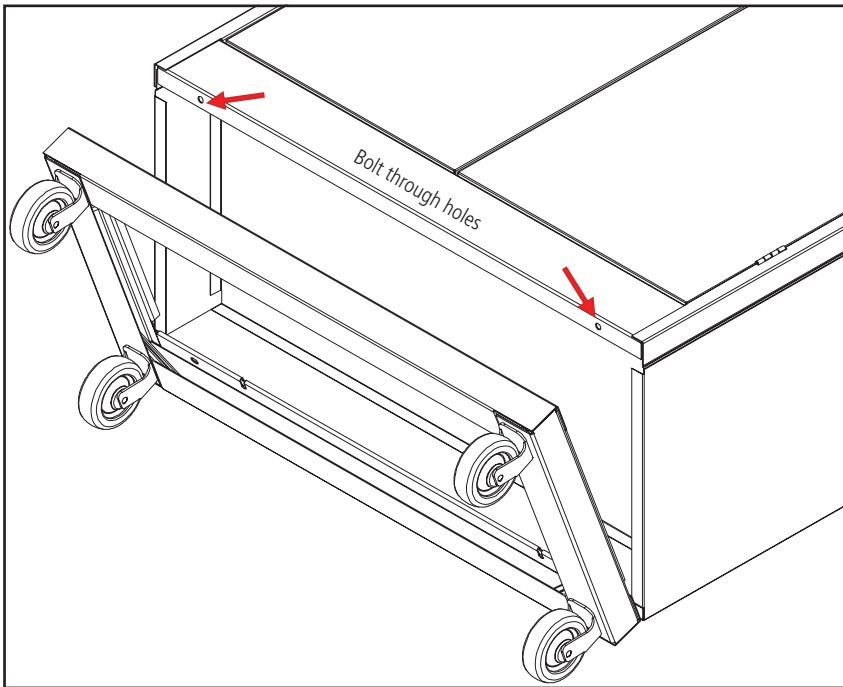
4. After making sure that the cabinet is unloaded, then lay the cabinet on the floor with the door facing up.

NOTE: It is recommended that the bottom of the cabinet is a minimum of 1/2" off the floor, in order to more easily attach the caster kit to the unit.

5. Position the caster kit frame on the bottom of the cabinet. The back of the caster kit has a "hem" (A) that will fit over the flange at the bottom rear of the cabinet (B).

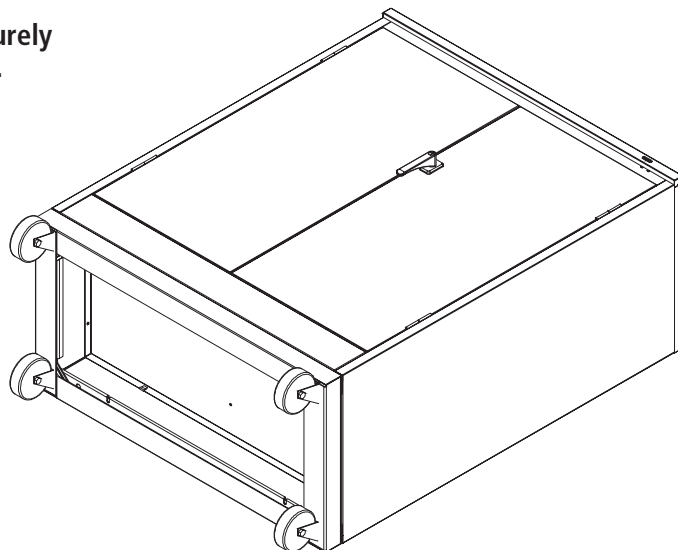


6. Secure the cabinet to the caster kit frame by attaching at the front with two $\frac{5}{16}$ " -18 x $\frac{3}{4}$ " bolts and nuts (Ref. Nos. 4 and 5) through the sill. Use a $\frac{1}{2}$ " wrench to tighten securely.



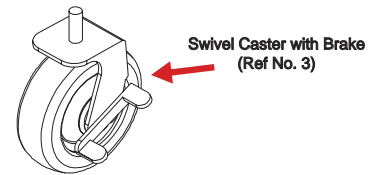
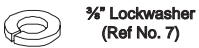
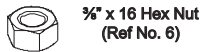
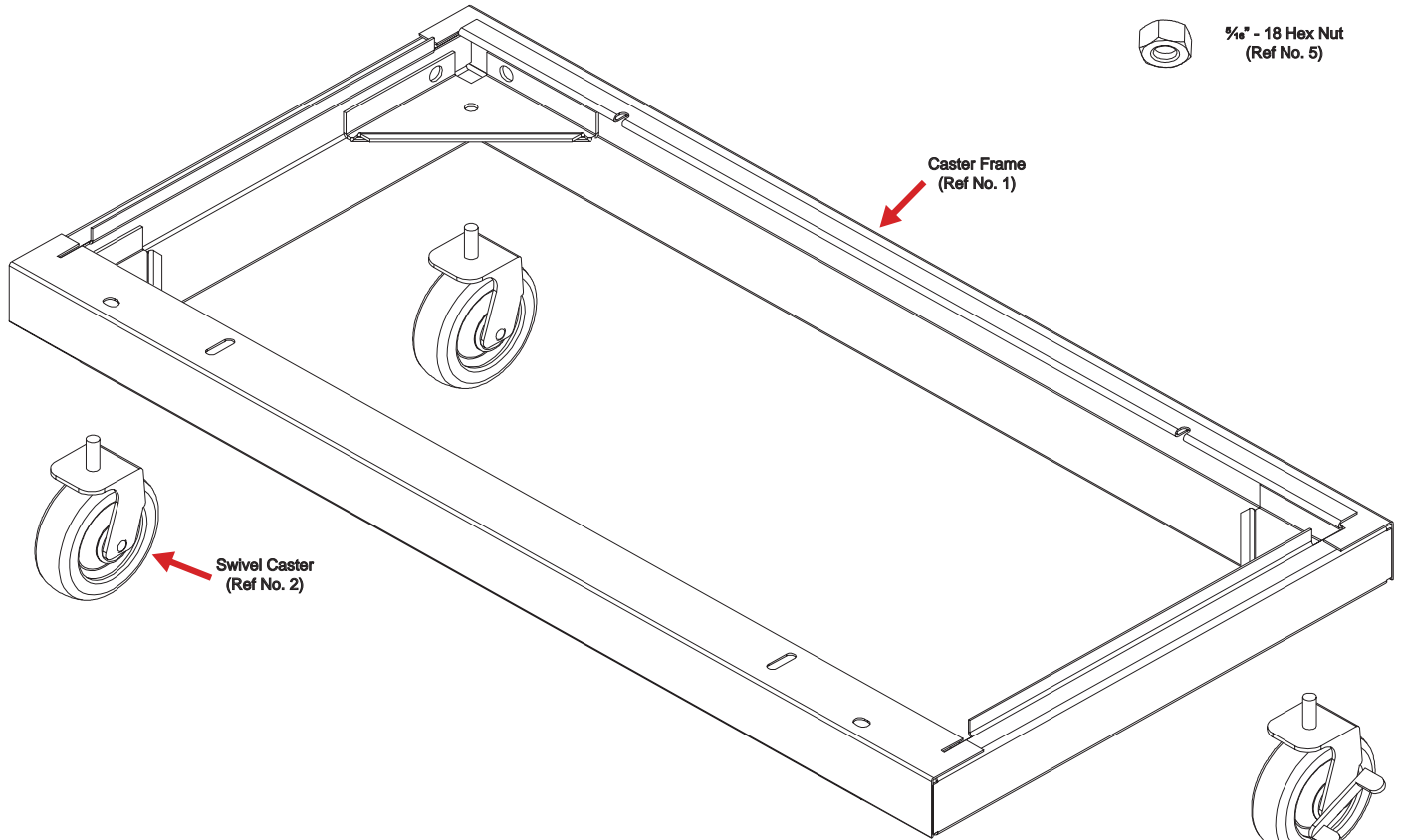
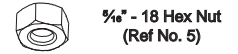
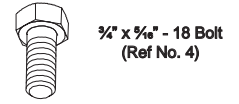
7. Before setting the storage cabinet upright, be sure that all bolts and nuts are tight and that the frame is secure.

NOTE: The caster kit frame MUST be securely mounted to the cabinet base before use.



8. Carefully set the unit upright on its casters. To prevent the unit from rolling during this process, two people are recommended to perform this step. The cabinet is now ready for mobile use.

REPLACEMENT PARTS



REF. NO.	DESCRIPTION	QTY.	PART NO.		
			36 x 18 Unit	36 x 24 Unit	48 x 24 Unit
1	Caster Frame	1	CK18-NC	CK24-NC	CK4824-NC
2	Swivel Caster	2	HARDW45	HARDW45	HARDW45
3	Swivel Caster with Brake	2	HARDW44	HARDW44	HARDW44
4	5/16" - 18 x 3/4 Bolt	2	**	**	**
5	5/16" - 18 Hex Nut	2	**	**	**
6	3/8" x 16 Hex Nut	4	**	**	**
7	3/8" Lockwasher	4	**	**	**

** Available Locally

NOTE: Additional hardware may be included for replacement purposes.

Tennsco makes every effort to ensure that all units ship complete with all parts and arrive undamaged. However, should your unit contain missing or damaged parts, please contact your purchase location.