

Capstone Shelving Units

RETAIN INSTRUCTIONS FOR FUTURE REFERENCE



GENERAL SAFETY INFORMATION

Some parts may have sharp edges. CARE must be taken when handling various pieces to avoid injury. For safety, wear a pair of work gloves when assembling or performing any maintenance on the units.

LIMITED WARRANTY

Tennsco warrants goods purchased hereunder to be free of defects in materials and workmanship for a period of one (1) year from the date of shipment, hereunder. This warranty shall not apply in the event goods are damaged as a result of misuse, abuse, neglect, accident, improper application, modification or repair by persons not authorized by Seller, where goods are damaged during shipment, or where the date stamps on the goods have been defaced, modified or removed. UNLESS CONSIDERED UNENFORCEABLE OR UNLAWFUL UNDER APPLICABLE LAW:

- a. ALL IMPLIED WARRANTIES, INCLUDING BUT NOT LIMITED TO WARRANTIES OR MERCHANTABILITY AND FITNESS FOR A PARTICULAR PURPOSE ARE HEREBY EXCLUDED:
- b. BUYERS REMEDY, IF ANY, FOR ANY DEFECTIVE GOODS SHALL BE LIMITED TO A REFUND BY SELLER OR REPLACEMENT OF THE GOODS AT SELLER'S OPTION, AND SHALL IN NO EVENT INCLUDE DAMAGES OF ANY KIND, WHETHER INCIDENTAL, CONSEQUENTIAL OR OTHERWISE.

NO GOODS ACCEPTED FOR RETURN WITHOUT PRIOR APPROVAL. Seller shall have the right to inspect any goods claimed to be defective at Buyers place of business or require Buyer to return the goods to Seller for inspection on Seller's premises. Transportation charges covering returned goods will be borne by Seller only if such goods are proven to be defective, are covered by this warranty and are returned within the warranty period stated above.



PROUDLY MADE IN THE U.S.A.

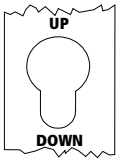
Tennsco LLC, Dickson, TN 37056-1888 • (866) 446-8686

ASSEMBLY OF A CAPSTONE SHELVING UNIT

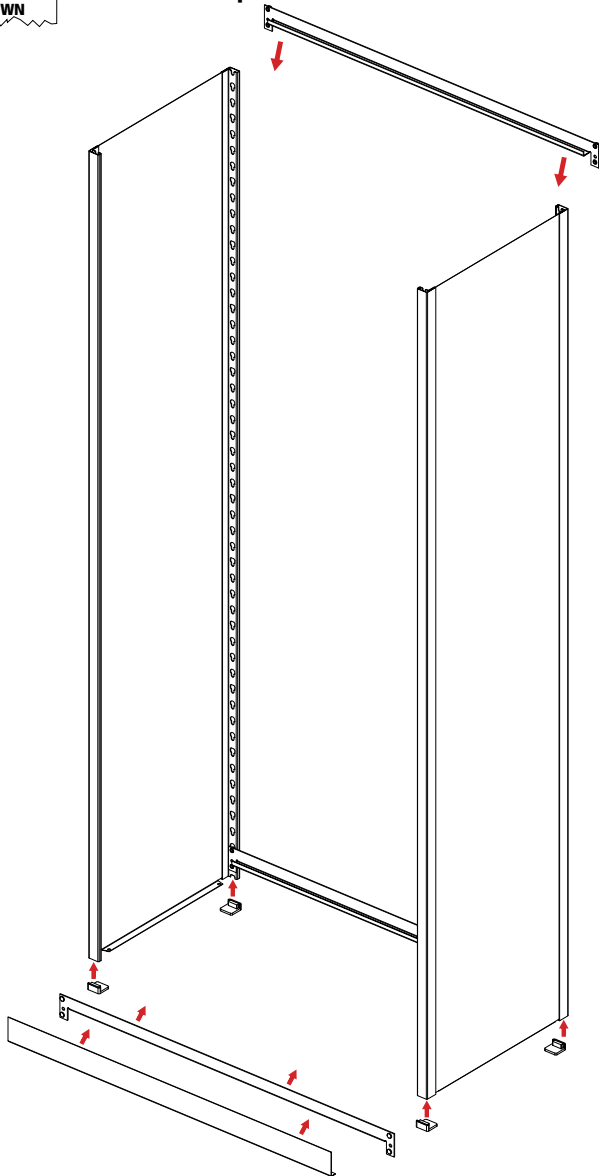
Two people are recommended for assembly. Approximate assembly time: 20-30 minutes.

1. The reference numbers used throughout this sheet refer to the illustration on the back cover. This is to help you to identify the various parts as they are mentioned.
2. Place one shelf support (Ref. No. 5) in the top keyhole slots of the uprights (Ref. No. 1). Place a bottom shelf support at the back section, in the bottom keyhole slots on the uprights as well for stability. Position the front base (Ref. No. 6) inside the upright posts, with the flange on the floor before inserting the next shelf support in the front bottom. Place the four plastic feet (Ref. Nos. 7) on the bottom of the uprights to aid

NOTE: If joining units together, use a "T" post adder upright instead of an "L" post starter upright.

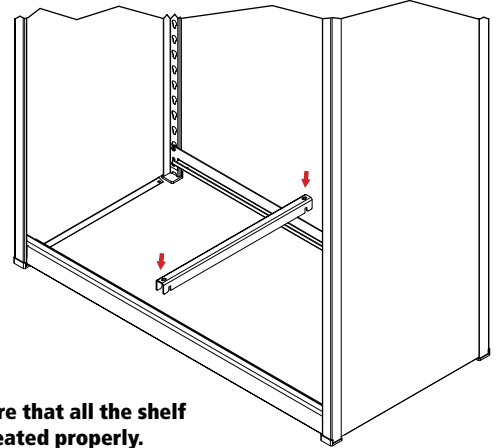


NOTE: The narrow part of the keyhole slot on the uprights should be toward the floor, while the wide part should be toward the top.



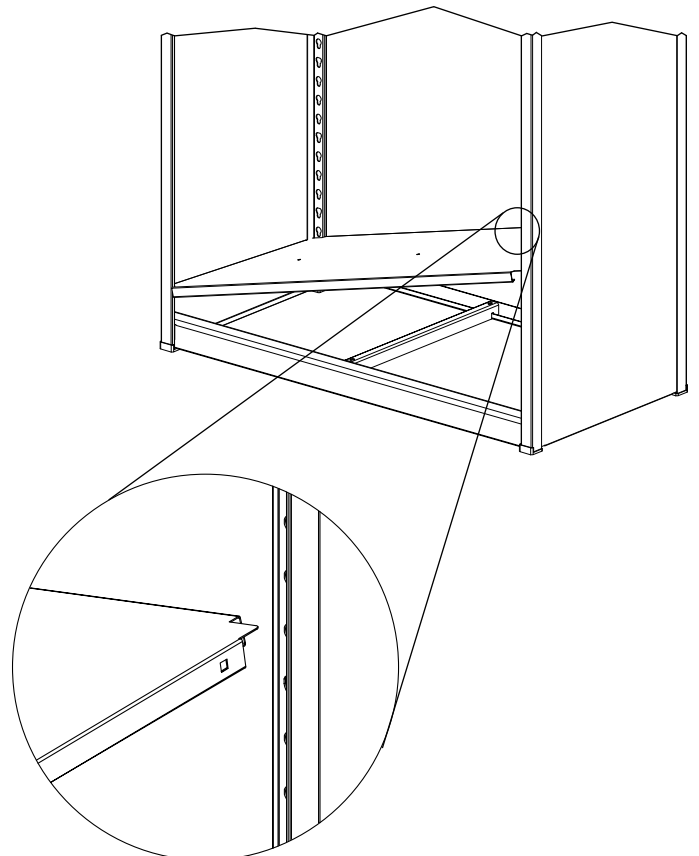
NOTE: Unit includes plastic fee to prevent posts from damaging the floor. If you are assembling an Adder unit, you will receive the LTNF-T instead of the LTNF-L as show above.

3. Place the shelf reinforcement (Ref. No. 4) on the shelf supports making sure that the grooves in the reinforcement are connected securely to the edges of the supports. For best support, divide the space between the reinforcements and the uprights into equal spaces.



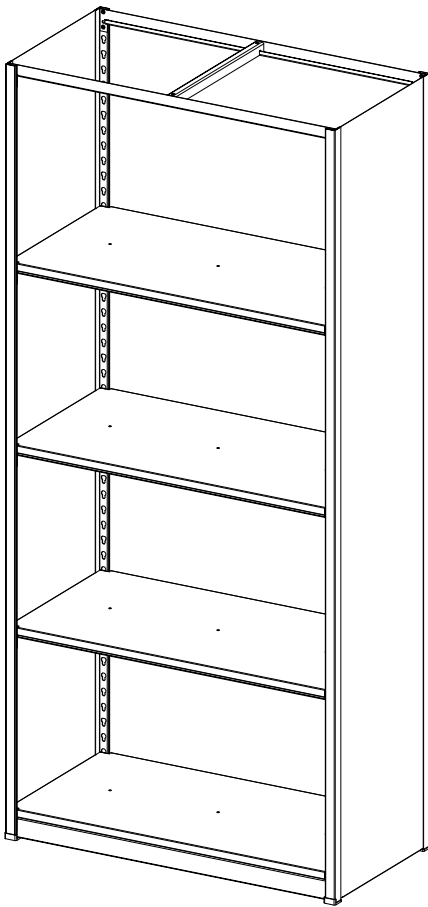
NOTE: Make sure that all the shelf supports are seated properly.

4. Shelves (Ref. No. 2) should be tilted in as shown below. The square hole on the side flange of the shelf goes to the rear of the unit. The round hole on the side flange goes toward the front of the unit.

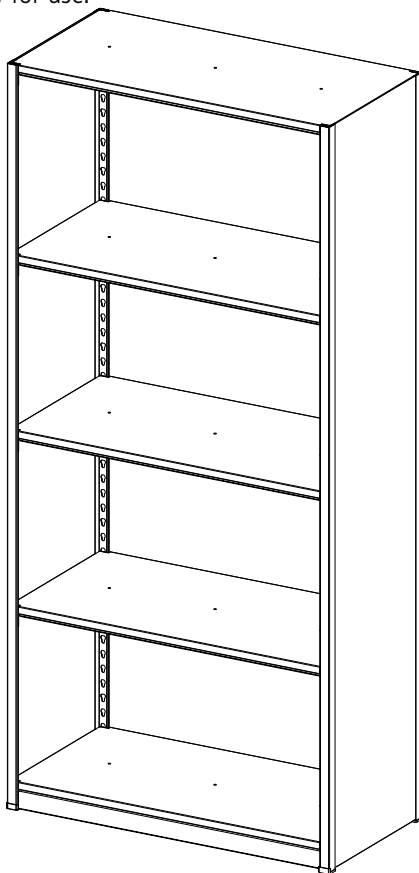


ADDITIONAL ASSEMBLY INSTRUCTIONS

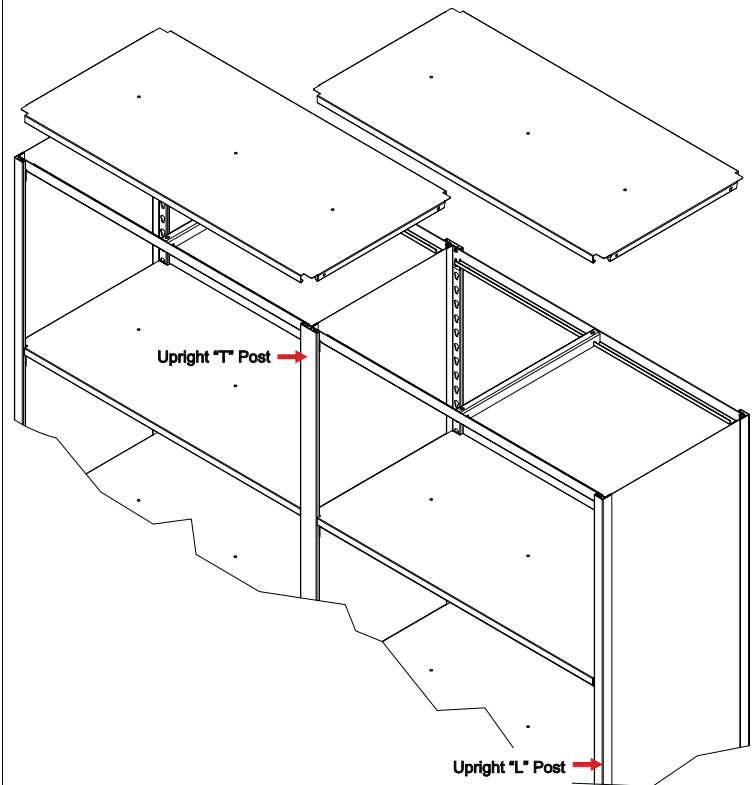
- 5.** Install the rest of the shelves as shown in step 4.



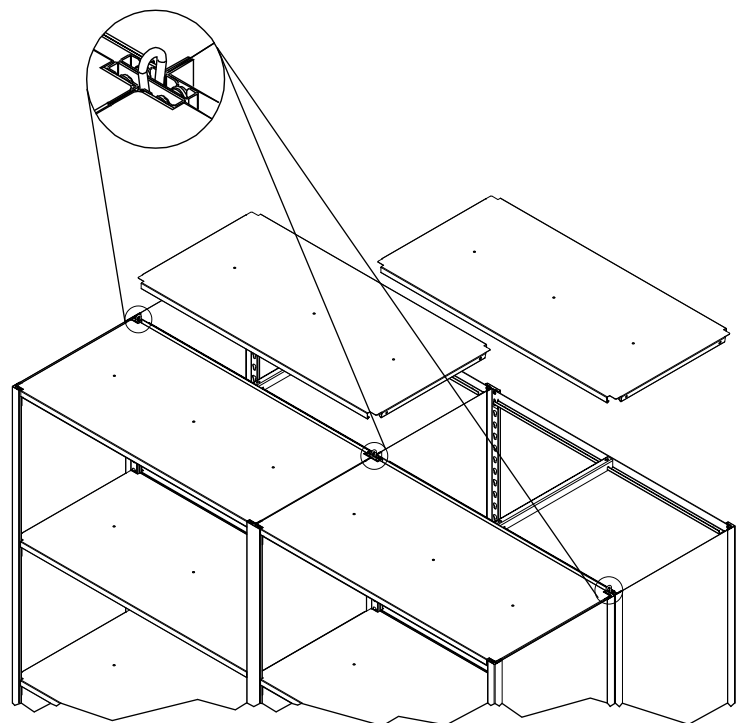
- 6.** Finish off by placing the last shelf on the top of the unit. If only a single unit was purchased, the shelving unit is now complete and ready for use.



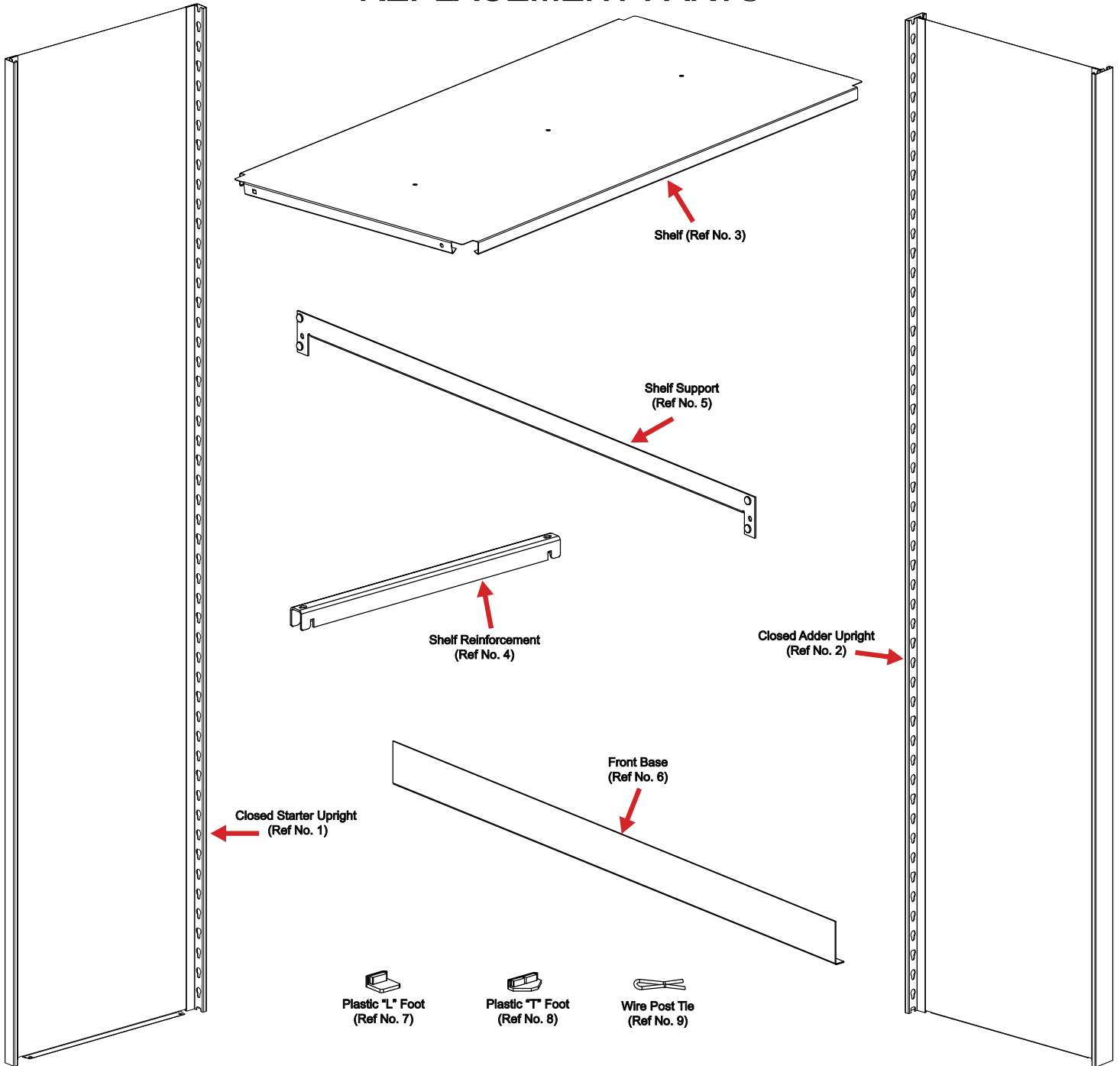
- 7.** If joining two or more units together, you will use a closed upright "T" post (Ref. No. 2) to connect the units with the closed upright "L" posts on the ends.



- 8.** If creating a back to back unit, attach the units together with a wire post tie (Ref. No. 9) along the top of each connecting upright post.



REPLACEMENT PARTS



REF. NO.	DESCRIPTION	PART NO.
1	Closed Upright Starter Post	ddhhLC
2	Optional Closed Upright Adder Post	ddhhTC
3	Shelf	H-wwdd
4	Shelf Reinforcement	HR-dd
5	Shelf Support	HS-ww14
6	Front Base	FB-wwhh
7	Plastic Foot for "L" Starter Upright	LTNF-L
8	Plastic Foot for "T" Adder Upright	LTNF-T
9	Wire Post Tie	LTCP-1

Where the suffix "ww", "dd", or "hh" is used in the part number, the width (ww), depth (dd) or height (hh) is substituted in the part number. For example, for an 88" high by 15" deep Closed Upright, the part number would be 1588LC.

NOTE: Additional hardware may be included for replacement purposes.

Tennsco makes every effort to ensure that all units ship complete with all parts and arrive undamaged. However, should your unit contain missing or damaged parts, please contact your purchase location.