

# ASSEMBLY INSTRUCTIONS & PARTS MANUAL

## Industrial Workbench with Hardwood Butcher Block Top



RETAIN INSTRUCTIONS FOR FUTURE REFERENCE



### LOAD CAPACITIES FOR BUTCHER BLOCK TOP

UNIT SIZE	WT. CAPACITY
48w x 30d	4000 lbs.
60w x 30d	3800 lbs.
72w x 30d	3600 lbs.
96w x 30d	4000 lbs.
60w x 36d	3800 lbs.
72w x 36d	3600 lbs.
*96w x 36d	4000 lbs.

\*96" w workbenches have 3 sets of legs.

The following instructions also can be used if a Plastic Laminate top or Compressed Wood top was purchased.

LOAD CAPACITIES FOR PLASTIC LAMINATE TOP	
UNIT SIZE	WT. CAPACITY
48w x 30d	1200 lbs.
60w x 30d	800 lbs.
72w x 30d	750 lbs.
96w x 30d	1200 lbs.
60w x 36d	800 lbs.
72w x 36d	750 lbs.
*96w x 36d	1200 lbs.

\*96" w workbenches have 3 sets of legs.

LOAD CAPACITIES FOR COMPRESSED WOOD TOP	
UNIT SIZE	WT. CAPACITY
48w x 30d	2400 lbs.
60w x 30d	1900 lbs.
72w x 30d	1500 lbs.
96w x 30d	2400 lbs.
60w x 36d	1900 lbs.
72w x 36d	1500 lbs.
*96w x 36d	2400 lbs.



**NOTE: Additional accessories shown above are sold separately.**

### GENERAL SAFETY INFORMATION

Some parts may have sharp edges. CARE must be taken when handling various pieces to avoid injury. For safety, wear a pair of work gloves when assembling or performing any maintenance on units.

### LIMITED WARRANTY

Tennsco warrants goods purchased hereunder to be free of defects in materials and workmanship for a period of one (1) year from the date of shipment, hereunder. This warranty shall not apply in the event goods are damaged as a result of misuse, abuse, neglect, accident, improper application, modification or repair by persons not authorized by Seller, where goods are damaged during shipment, or where the date stamps on the goods have been defaced, modified or removed. UNLESS CONSIDERED UNENFORCEABLE OR UNLAWFUL UNDER APPLICABLE LAW:

- ALL IMPLIED WARRANTIES, INCLUDING BUT NOT LIMITED TO WARRANTIES OR MERCHANTABILITY AND FITNESS FOR A PARTICULAR PURPOSE ARE HEREBY EXCLUDED:
- BUYERS REMEDY, IF ANY, FOR ANY DEFECTIVE GOODS SHALL BE LIMITED TO A REFUND BY SELLER OR REPLACEMENT OF THE GOODS AT SELLER'S OPTION, AND SHALL IN NO EVENT INCLUDE DAMAGES OF ANY KIND, WHETHER INCIDENTAL, CONSEQUENTIAL OR OTHERWISE.

NO GOODS ACCEPTED FOR RETURN WITHOUT PRIOR APPROVAL. Seller shall have the right to inspect any goods claimed to be defective at Buyers place of business or require Buyer to return the goods to Seller for inspection on Seller's premises. Transportation charges covering returned goods will be borne by Seller only if such goods are proven to be defective, are covered by this warranty and are returned within the warranty period stated above.



**PROUDLY MADE IN THE U.S.A.**

Tennsco LLC., Dickson, TN 37056-1888 • (866) 446-8686

# ASSEMBLY OF HARDWOOD BUTCHER BLOCK TOP INDUSTRIAL WORKBENCH

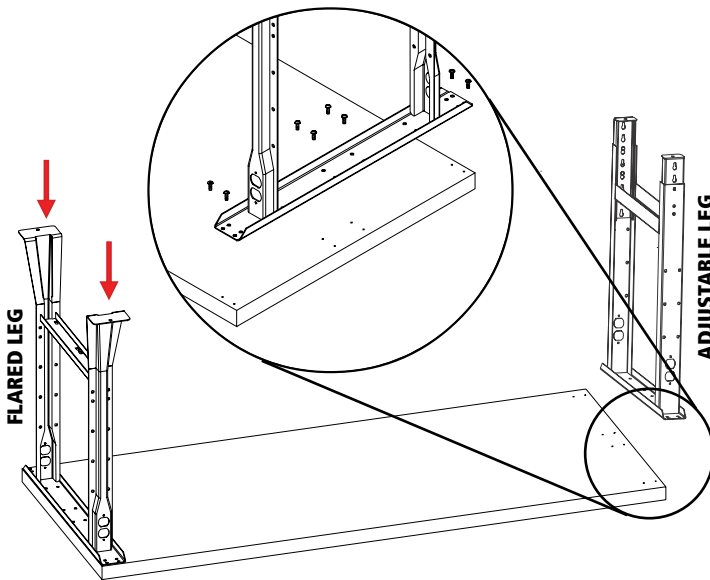
Two people are recommended for assembly. Approximate assembly time: 40-45 minutes.

The reference numbers used throughout this sheet refer to the illustration on the back cover. This is to help you to identify the various parts as they are mentioned.

1. Lay the top (Ref. No. 1) face down on two sawhorses or a protected flat surface. Place a workbench leg (Ref. No. 3) on the top, aligning the eight pre-drilled pilot holes as shown below. Attach with eight #14 x  $\frac{3}{4}$ " hex head slotted wood screws (Ref. No. 17).

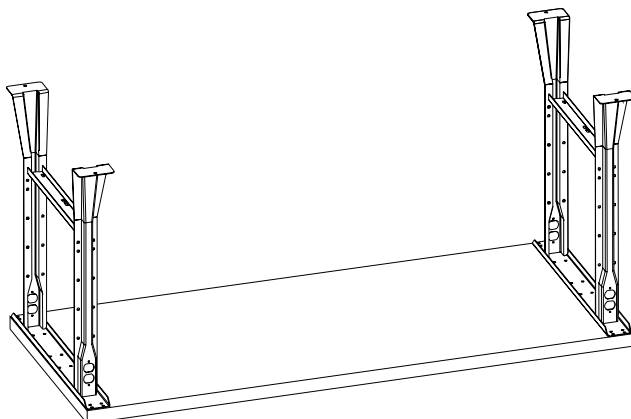
**NOTE:** When using a plastic laminate top or compressed wood top, no wood screws are necessary where there are no pre-drilled pilot holes.

**NOTE:** The drawings throughout this instruction sheet show the flared leg. If your bench came with adjustable legs, the legs will look different than the drawings shown throughout these instructions. The drawing here illustrates an example of both leg styles: the flared leg (shown at left) and the adjustable leg (shown at right). Both legs will attach the same way to the top.



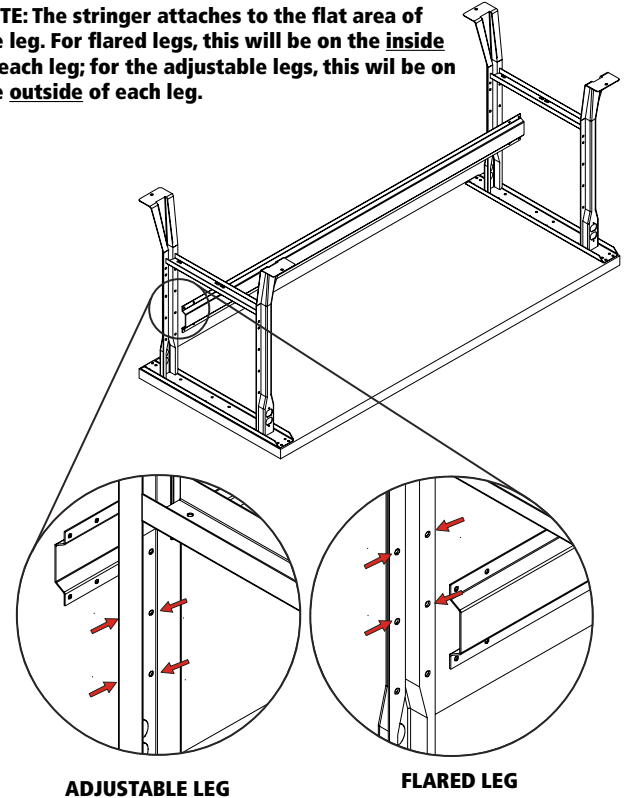
**NOTE:** When assembling a 96" workbench, the third leg should be mounted in the center of the top to reinforce the top stability and allow for the load capacity.

2. Place the other workbench leg on the opposite end of the bench top, using the same procedure as done in step 1.



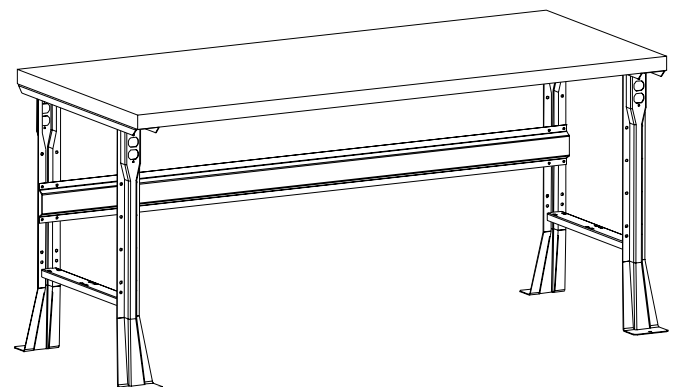
3. Attach the stringer (Ref. No. 2) to the rear legs, skipping the top two holes and using the next four holes from the top of each leg. **NOTE:** The legs are symmetrical, so the front and rear of the bench will be determined by where you place the stringer. Attach with eight  $\frac{1}{4}$ "-20 x  $\frac{5}{8}$ " bolts, nuts, and lock washers (Ref. Nos. 18, 19, 20), four on each side.

**NOTE:** The stringer attaches to the flat area of the leg. For flared legs, this will be on the inside of each leg; for the adjustable legs, this will be on the outside of each leg.



4. If you purchased only the basic workbench, your bench is now complete. The remaining instructions show assembly of optional accessories (such as the workbench drawer, the lower shelf, side and back rails, or risers).

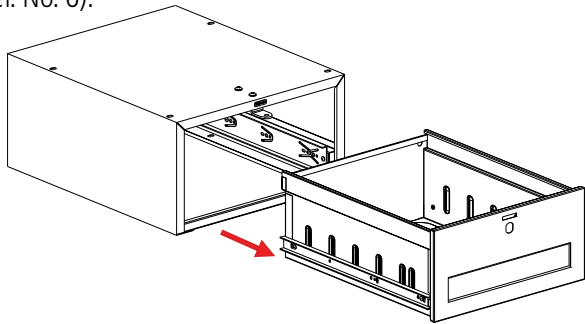
**NOTE:** If attaching an optional drawer, you may want to leave the bench in the upside-down position.



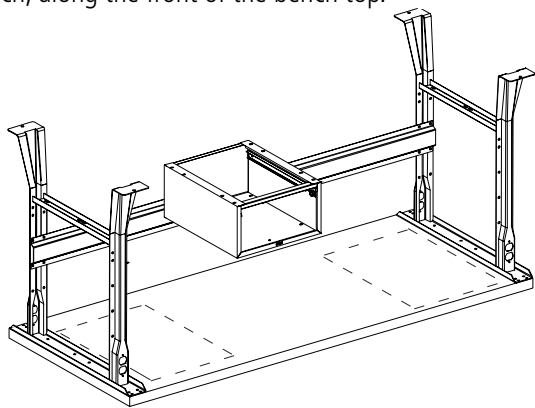
## OPTIONAL ACCESSORIES

### Optional Workbench Drawer

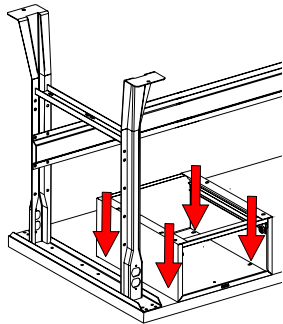
1. Remove the drawer (Ref. No. 5) from the drawer housing (Ref. No. 6).



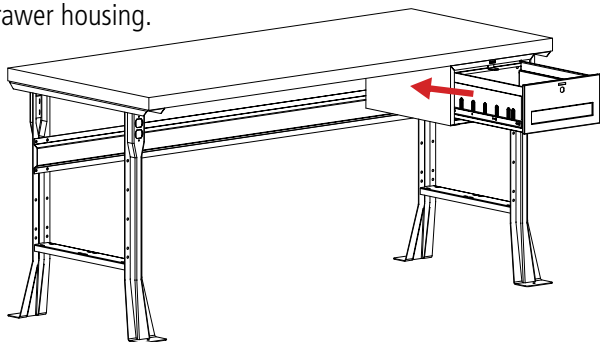
2. Place the drawer in its desired position. This can be anywhere on the bench, but it is most common to mount the drawer either to the far left or the far right of the workbench, along the front of the bench top.



3. Using the holes in the drawer housing as guide, drill four pilot holes into the bench using a  $1/8"$  drill bit and securing no deeper than  $1/2"$ . Secure with four #14 x  $3/4"$  slotted wood screws.



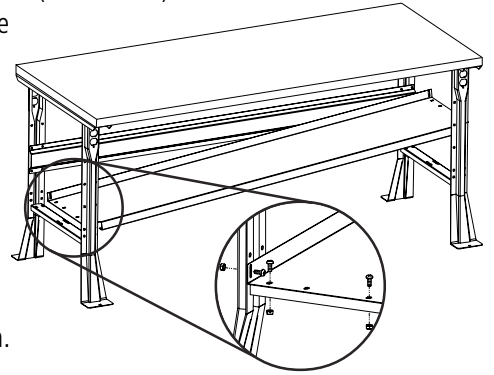
4. With the workbench upright, slide the drawer back into the drawer housing.



**NOTE:** For assembly and installation of a cam lock or padlock hasp, please refer to the instructions which came with the drawer kit.

### Optional Lower Shelf

1. Place the shelf (Ref. No. 11) on the brace of each leg. Attach with three  $1/4"$ -20 x  $5/8"$  bolts and nuts on each end of the shelf shown.



### Optional Riser or Electronic Riser

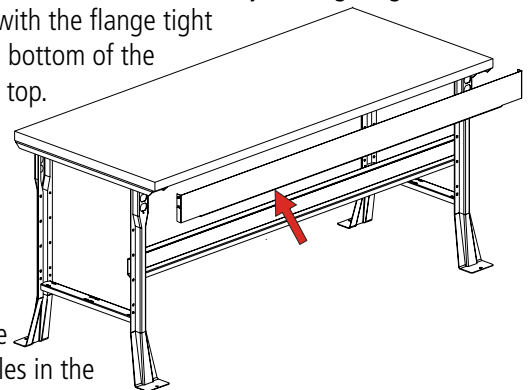
For assembly and installation of a riser or electronic riser, please refer to the instructions which came with the riser kit.

### Optional Side and Back Rails

1. If you are installing the optional side and back rails, and are also installing an optional riser, the riser must be in position first. **NOTE: The riser and rails share some of the same bolts and nuts. To avoid having to re-do parts of the installation, please refer to the riser instructions as you install the side and back rails.**

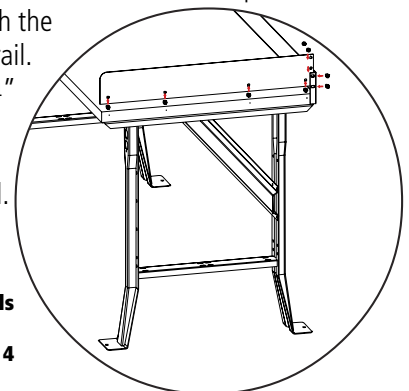
2. Attach the back rail (Ref. No. 12) by holding it against the bench with the flange tight against the bottom of the workbench top.

Using a  $1/8"$  drill bit, drill pilot holes into the bench top through the existing holes in the back rail, drilling no deeper than  $1/2"$  into the top.

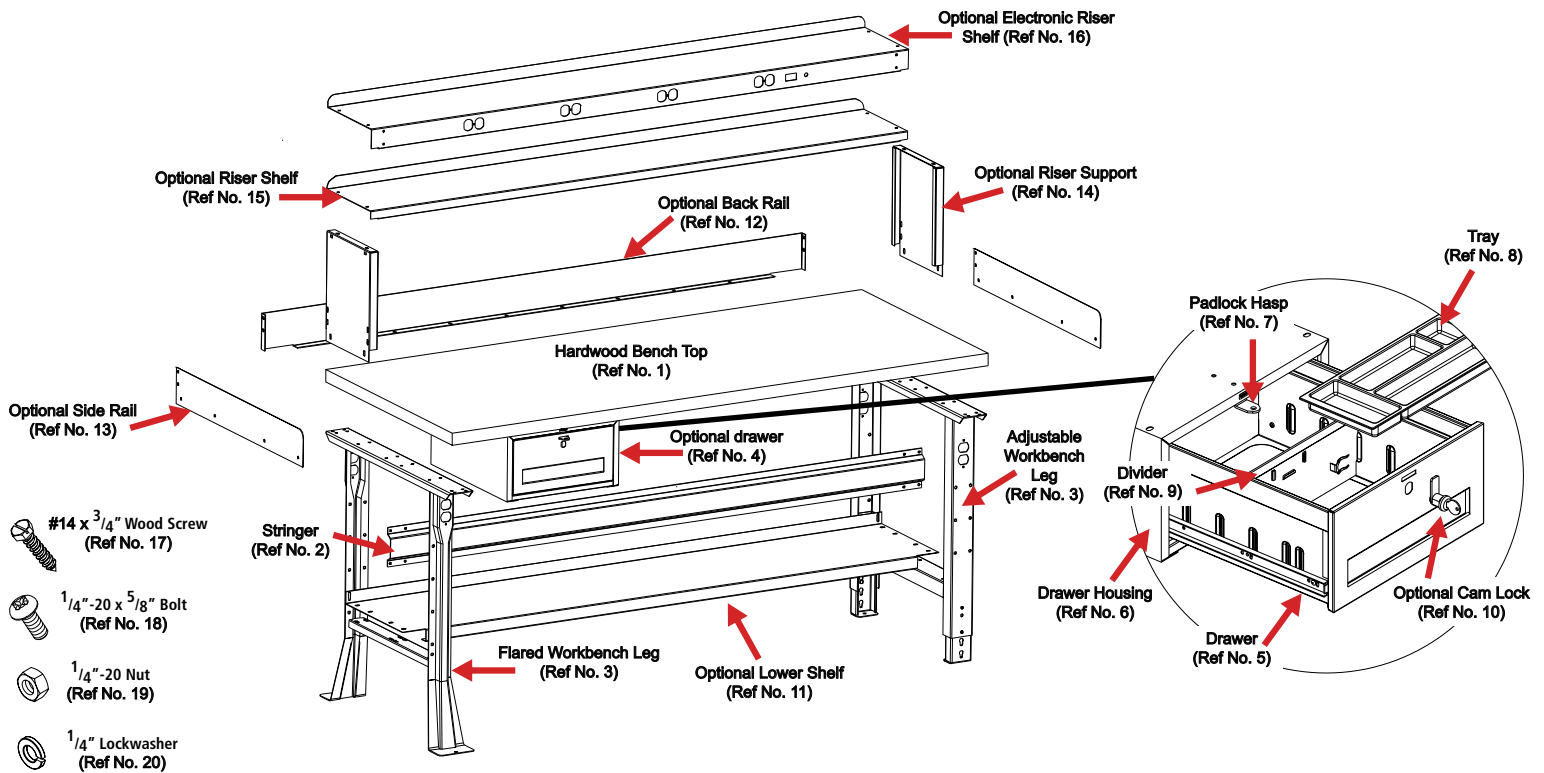


3. Attach one side rail (Ref. No. 13) by slipping it between the flange of the back rail and the bench top. Secure with two  $1/4"$ -20 x  $5/8"$  bolt and nuts. With the side rail now held in place by the bolts, use a  $1/8"$  drill bit to drill four pilot holes into the bench top through the existing holes in the side rail. Attach with four #14 x  $3/4"$  slotted wood screws. Repeat this procedure to attach the second side rail.

**NOTE:** Make sure you have allowed space on both ends of the bench for the side rails to slip underneath the back rail and attach with eight #14 x  $3/4"$  slotted wood screws.



# REPLACEMENT PARTS



		PART NUMBERS					
REF. NO.	DESCRIPTION	QTY.	60" w x 30" d	60" w x 36" d	72" w x 30" d	72" w x 36" d	
1	Hardwood Bench Top (with Stringer) OR	1	MT-3060	MT-3660	MT-3072	MT-3672	
	Plastic Laminate Top (with Stringer) NOT SHOWN	1	PT-3060	PT-3660	PT-3072	PT-3672	
	Compressed Wood Top (with Stinger) NOT SHOWN	1	CT-3060	CT-3660	CT-3072	CT-3672	
2	Stringer (included with bench top)	1	WBS-60	WBS-60	WBS-72	WBS-72	
3	Flared Workbench Leg (pair) OR	1	L-3230	L-3236	L-3230	L-3230	
	Adjustable Workbench Leg (pair)	1	AL-3230	AL-3236	AL-3230	AL-3236	
4	Optional Drawer (complete unit)	1	WBD-1	WBD-1	WBD-1	WBD-1	
5	*Drawer	1	976CDW	976CDW	976CDW	976CDW	
6	*Drawer Housing	1	976CDH	976CDH	976CDH	976CDH	
7	*Padlock Hasp	1	976PH	976PH	976PH	976PH	
8	*Tray	1	976T	976T	976T	976T	
9	*Divider	1	WBDD-12	WBDD-12	WBDD-12	WBDD-12	
10	*Optional Cam Lock	1	CL-1	CL-1	CL-1	CL-1	
11	Optional Lower Shelf	1	S-60	S-60	S-72	S-72	
12	Optional Back Rail	1	189BS	404SS	189SS	404SS	
13	Optional Side Rail	2	189SS	189BS	404BS	404BS	
14	Optional Riser Support	2	WBRS-2	WBRS-2	WBRS-2	WBRS-2	
15	Optional Riser Shelf	1	WBRS-60	WBRS-60	WBRS-72	WBRS-72	
16	Optional Electronic Riser Shelf	1	EWRS-60	EWRS-60	EWRS-72	EWRS-72	
17	#14 x 3/4" Hex Head Slotted Wood Screw	16	**	**	**	**	
18	1/4"-20 x 5/8" Bolt	8	**	**	**	**	
19	1/4"-20 Nut	8	**	**	**	**	
20	1/4" Lockwasher	8	**	**	**	**	

\*Included in Ref. No. 5, optional drawer (Part No. WBD 1).

\*\* Available Locally

NOTE: Additional hardware may be included for replacement purposes.

Tennsco makes every effort to ensure that all units ship complete with all parts and arrive undamaged. However, should your unit contain missing or damaged parts, please contact your purchase location.