

# **ASSEMBLY INSTRUCTIONS & PARTS MANUAL**

## **Mobile Modular Workbench Top Components**

Model No's: MB-3-2545, MB-4-2545, MB-5-2545, MB-6-2545, MB-7-2545



### RETAIN INSTRUCTIONS FOR FUTURE REFERENCE

---



MB-5-2545



MB-3-2545 with Optional MHE-25  
and Optional RE-1045WK

### GENERAL SAFETY INFORMATION

Some parts may have sharp edges. CARE must be taken when handling various pieces to avoid injury. For safety, wear a pair of work gloves when assembling or performing any maintenance on carts.

---

### LIMITED WARRANTY

Tennsco warrants goods purchased hereunder to be free of defects in materials and workmanship for a period of one (1) year from the date of shipment, hereunder. This warranty shall not apply in the event goods are damaged as a result of misuse, abuse, neglect, accident, improper application, modification or repair by persons not authorized by Seller, where goods are damaged during shipment, or where the date stamps on the goods have been defaced, modified or removed. UNLESS CONSIDERED UNENFORCEABLE OR UNLAWFUL UNDER APPLICABLE LAW:

- a. ALL IMPLIED WARRANTIES, INCLUDING BUT NOT LIMITED TO WARRANTIES OR MERCHANTABILITY AND FITNESS FOR A PARTICULAR PURPOSE ARE HEREBY EXCLUDED:
- b. BUYERS REMEDY, IF ANY, FOR ANY DEFECTIVE GOODS SHALL BE LIMITED TO A REFUND BY SELLER OR REPLACEMENT OF THE GOODS AT SELLER'S OPTION, AND SHALL IN NO EVENT INCLUDE DAMAGES OF ANY KIND, WHETHER INCIDENTAL, CONSEQUENTIAL OR OTHERWISE.

NO GOODS ACCEPTED FOR RETURN WITHOUT PRIOR APPROVAL. Seller shall have the right to inspect any goods claimed to be defective at Buyers place of business or require Buyer to return the goods to Seller for inspection on Seller's premises. Transportation charges covering returned goods will be borne by Seller only if such goods are proven to be defective, are covered by this warranty and are returned within the warranty period stated above.

---



**PROUDLY MADE IN THE U.S.A.**

Tennsco LLC., Dickson, TN 37056-1888 • (866) 446-8686

# **ASSEMBLY OF MOBILE WORKBENCH TOP**

Two people are recommended for assembly. Approximate assembly time: 15-25 minutes.  
Tools required: Phillips head screwdriver and a  $\frac{7}{16}$ " wrench or nut driver.

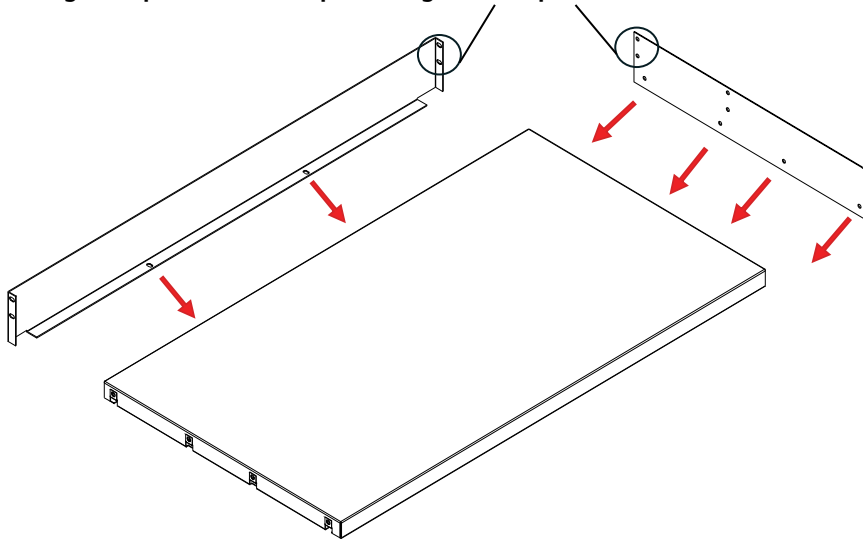
---

The reference numbers used throughout this sheet refer to the illustration on the back cover.  
This is to help you to identify the various parts as they are mentioned.

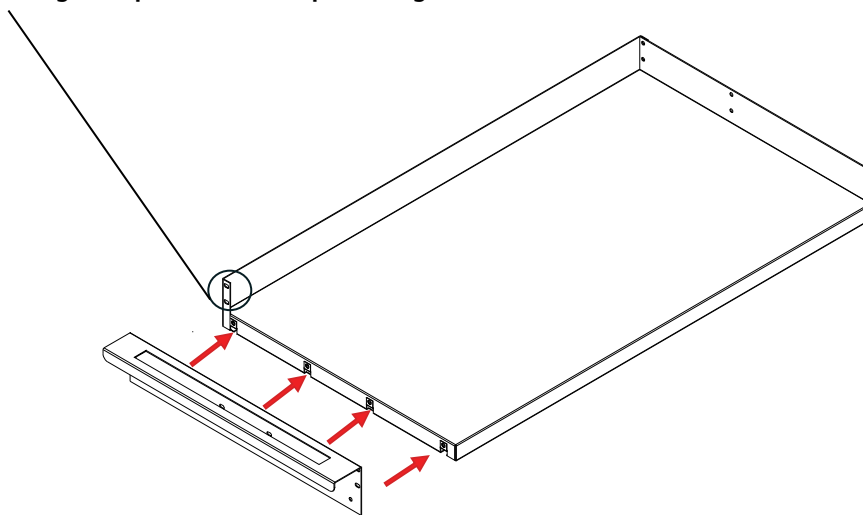
1. Instructions refer to the top components assembly only; mobile workbench body portions are first set on assembled caster kit. See caster kit instructions for assembly of casters.  
**NOTE: If attaching the optional riser, the riser supports will share some of the same holes with the back rail, handle and side rail. Be sure to follow the instructions carefully throughout this sheet.**

2. Bolt the back rail (Ref. No. 4) to the underside of the steel top (Ref. No. 1) with two  $\frac{1}{4}$ "-20 x  $\frac{5}{8}$ " bolts (Ref. No. 7). Attach the right side plate (Ref. No. 2) to the side of the steel top using four  $\frac{1}{4}$ "-20 x  $\frac{5}{8}$ " bolts. The side plate fits between the back rail end flange and the steel top. Secure the side plate to the back rail with two  $\frac{1}{4}$ "-20 x  $\frac{5}{8}$ " bolts and two  $\frac{1}{4}$ "-20 nuts (Ref. No. 8).

**NOTE: If attaching the optional riser, skip securing the side plate to the back rail until after the riser installation.**



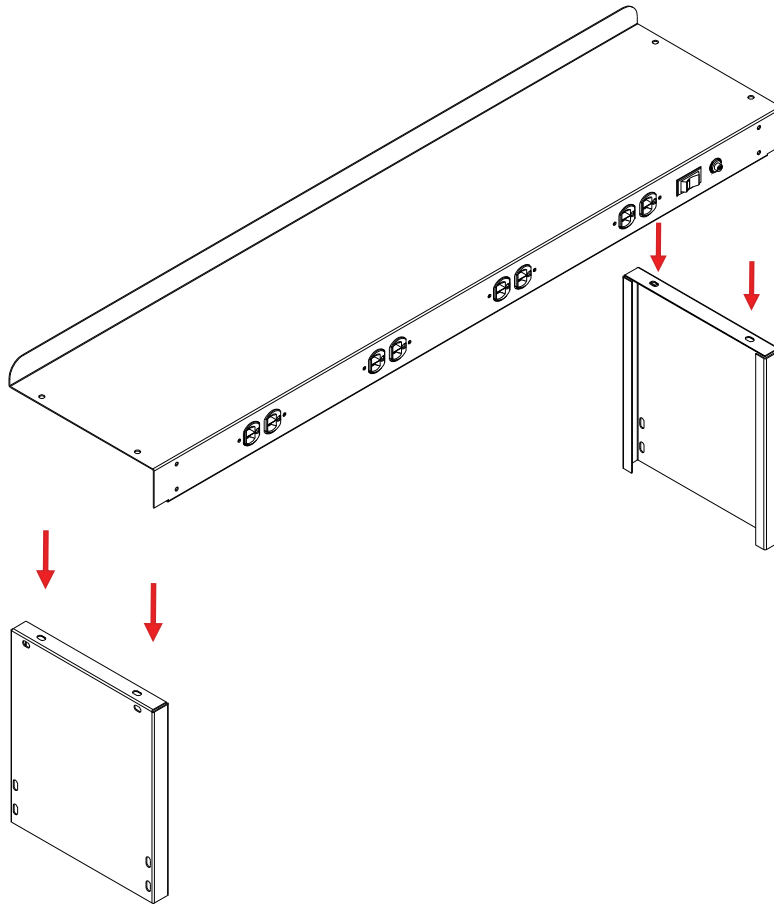
4. Attach the handle (Ref. No. 3) to the steel top on the opposite side of the side plate using four  $\frac{1}{4}$ "-20 x  $\frac{5}{8}$ " bolts. The back rail fits between the handle and the steel top. Secure the handle to the back rail with two  $\frac{1}{4}$ "-20 x  $\frac{5}{8}$ " bolts and two  $\frac{1}{4}$ "-20 nuts.  
**NOTE: If attaching the optional riser, skip securing the handle to the back rail until after the riser installation.**



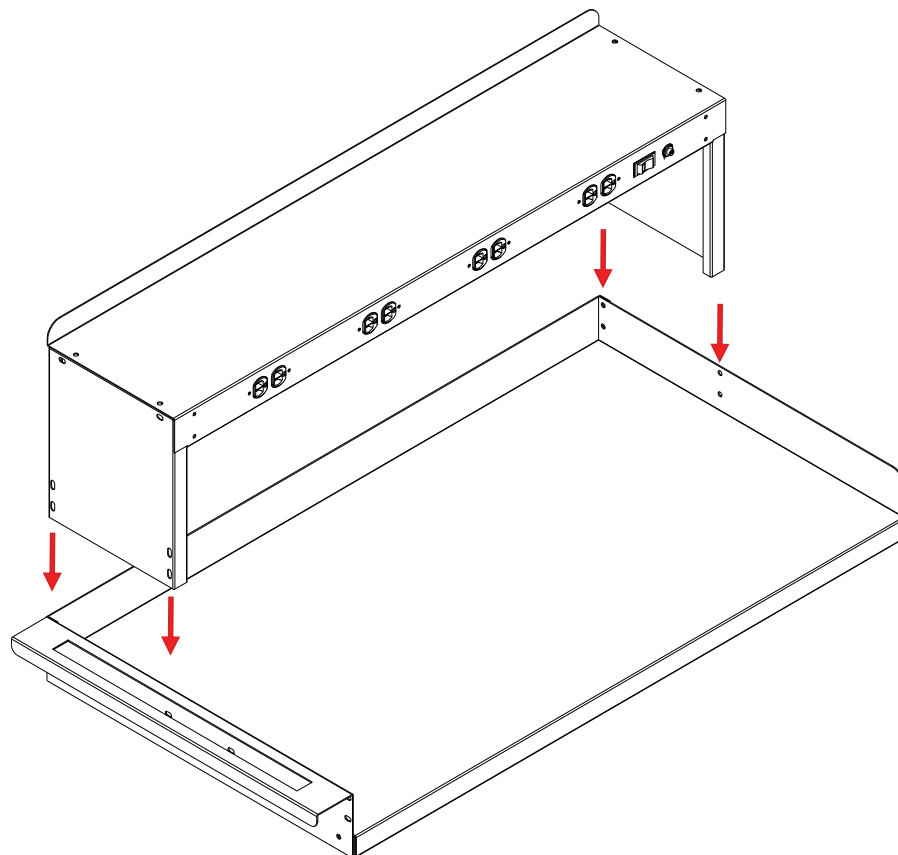
5. Your top is now ready to attach to your mobile workbench body. If you purchased the optional handle power strip (Ref. No. 9), attach that now over the handle with the included hardware. If you purchased the optional electronic riser, proceed to step 6.

## **OPTIONAL ELECTRONIC RISER**

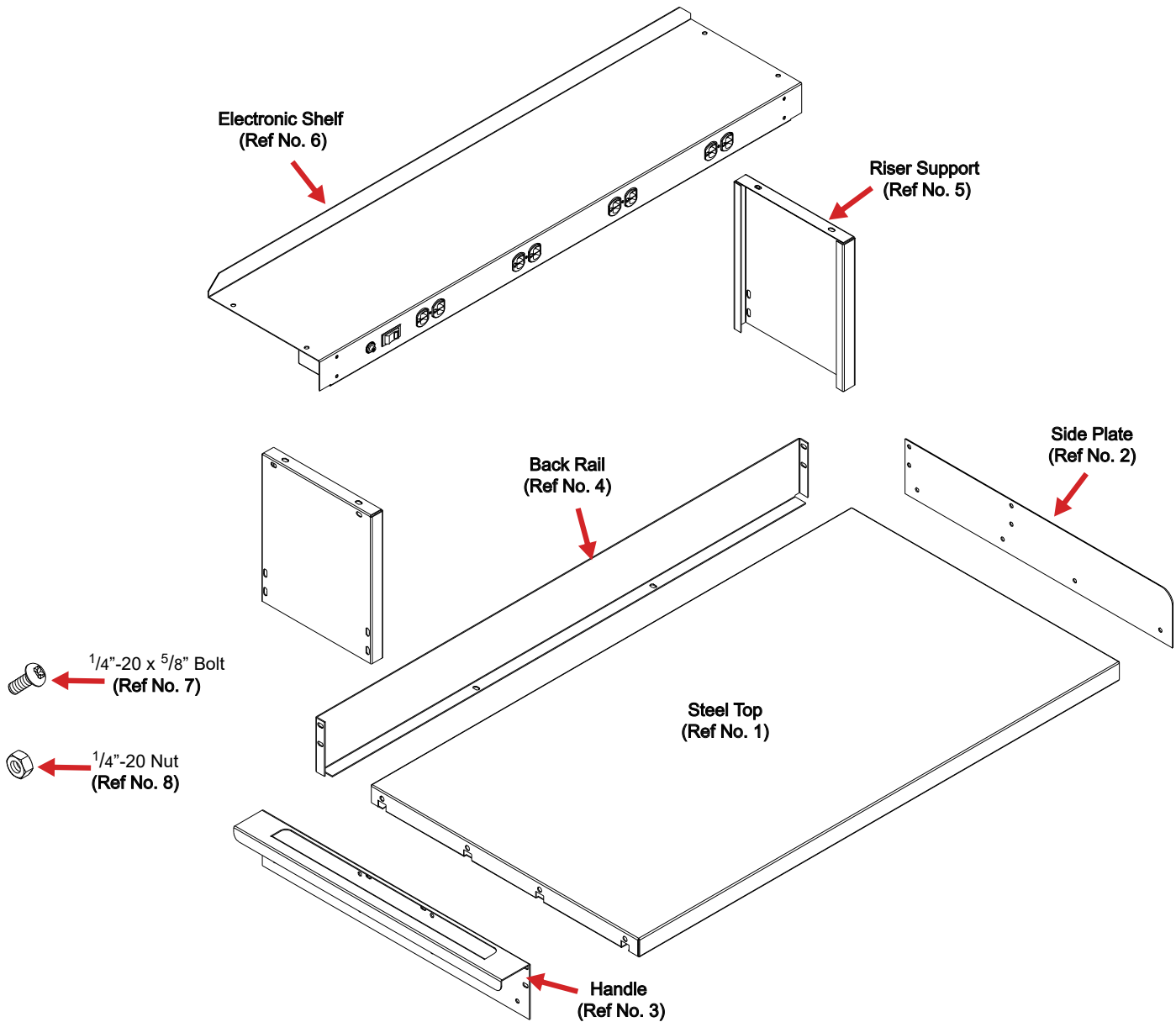
5. Attach the electronic riser top assembly (Ref. No. 6) to the riser supports (Ref. No. 5) using four  $1/4''-20 \times 5/8''$  bolts and  $1/4''-20$  nuts, two on each end.



6. Attach the riser to the top assembly by securing the riser end plates to the inside of both the side plate and the handle, using four  $1/4''-20 \times 5/8''$  bolts and four  $1/4''-20$  nuts on each side. Be sure that the bolts and nuts also secure through the back plate flanges that were skipped in steps 3 and 4. Your top is now ready to be attached to your workbench body.



# REPLACEMENT PARTS



REF. NO.	DESCRIPTION	QTY.	PART NO.
1	Steel Top	1	S2548
2	Side Plate	1	SP-25
3	Handle	1	MH-25
4	Back Rail	1	BR-4825
5	Optional Riser Supports	1	WBRS-1
6	Optional Electronic Riser Top	2	EWWT-45
7	1/4\"-20 x 5/8\" Bolts**	14	--
8	1/4\"-20 Nuts**	4	--
9	Optional Handle Power Strip (NOT SHOWN)	1	MHE-25

\*\*Available Locally

NOTE: Additional hardware may be included for replacement purposes.

Tennsco makes every effort to ensure that all units ship complete with all parts and arrive undamaged. However, should your unit contain missing or damaged parts, please contact your purchase location.