

ASSEMBLY INSTRUCTIONS & PARTS MANUAL



Service Carts SC1630 & SC2436

RETAIN INSTRUCTIONS FOR FUTURE REFERENCE



GENERAL SAFETY INFORMATION

Some parts may have sharp edges. CARE must be taken when handling various pieces to avoid injury. For safety, wear a pair of work gloves when assembling or performing any maintenance on the cart.

LIMITED WARRANTY

Tennsco warrants goods purchased hereunder to be free of defects in materials and workmanship for a period of one (1) year from the date of shipment, hereunder. This warranty shall not apply in the event goods are damaged as a result of misuse, abuse, neglect, accident, improper application, modification or repair by persons not authorized by Seller, where goods are damaged during shipment, or where the date stamps on the goods have been defaced, modified or removed. UNLESS CONSIDERED UNENFORCEABLE OR UNLAWFUL UNDER APPLICABLE LAW:

- a. ALL IMPLIED WARRANTIES, INCLUDING BUT NOT LIMITED TO WARRANTIES OR MERCHANTABILITY AND FITNESS FOR A PARTICULAR PURPOSE ARE HEREBY EXCLUDED:
- b. BUYERS REMEDY, IF ANY, FOR ANY DEFECTIVE GOODS SHALL BE LIMITED TO A REFUND BY SELLER OR REPLACEMENT OF THE GOODS AT SELLER'S OPTION, AND SHALL IN NO EVENT INCLUDE DAMAGES OF ANY KIND, WHETHER INCIDENTAL, CONSEQUENTIAL OR OTHERWISE.

NO GOODS ACCEPTED FOR RETURN WITHOUT PRIOR APPROVAL. Seller shall have the right to inspect any goods claimed to be defective at Buyers place of business or require Buyer to return the goods to Seller for inspection on Seller's premises. Transportation charges covering returned goods will be borne by Seller only if such goods are proven to be defective, are covered by this warranty and are returned within the warranty period stated above.



PROUDLY MADE IN THE U.S.A.

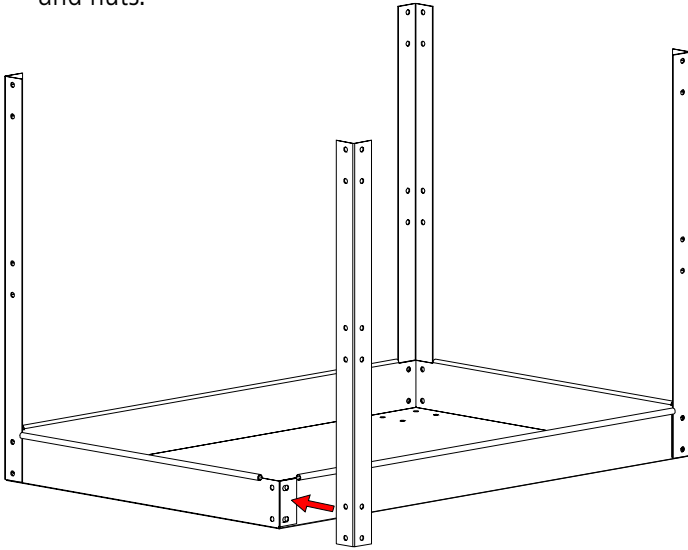
Tennsco LLC., Dickson, TN 37056-1888 • (866) 446-8686

ASSEMBLY OF SERVICE CART

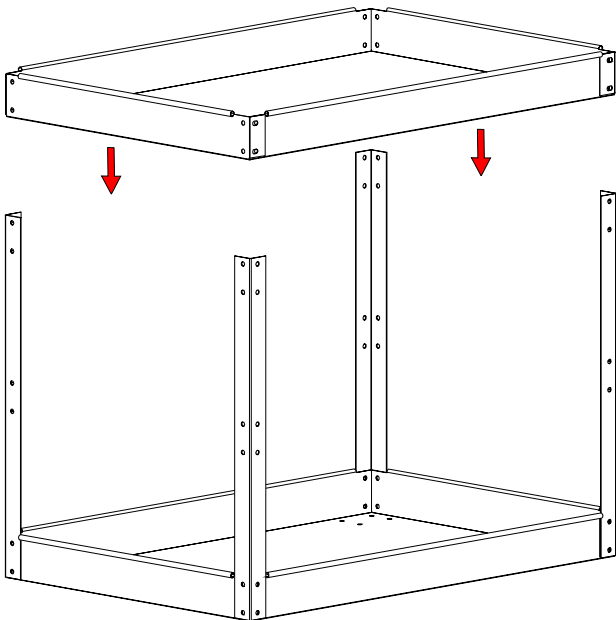
Two people are recommended for assembly. Approximate assembly time: 15-20 minutes.

The reference numbers used throughout this sheet refer to the illustration on the back cover.
This is to help you to identify the various parts as they are mentioned.

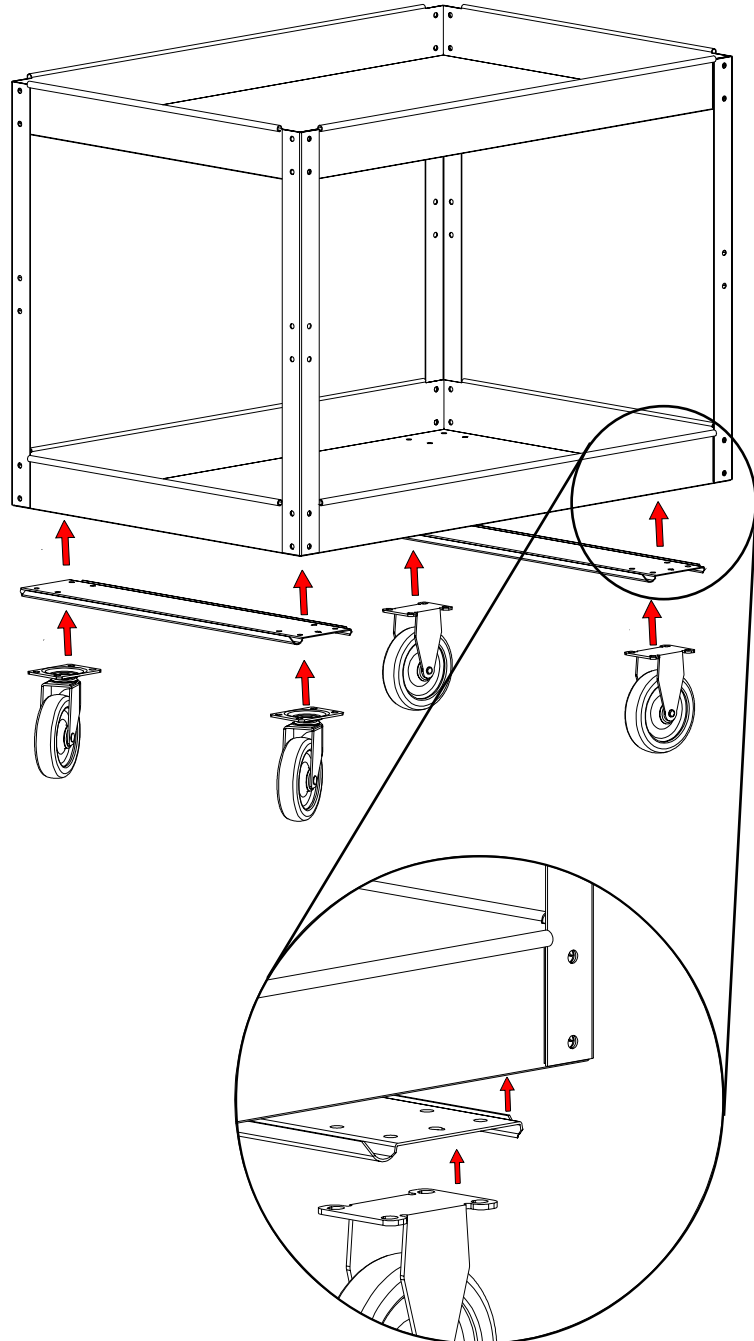
1. Bolt the lower tray (Ref. No. 2) to the four upright posts (Ref. No. 3) with sixteen of the provided 1/4-20 bolts and nuts.



2. Bolt the upper tray (Ref. No. 1) to the posts with twelve of the bolts and nuts provided. Be sure not to attach the tray to the posts where the handle brackets (Ref. No. 7) will be mounted.

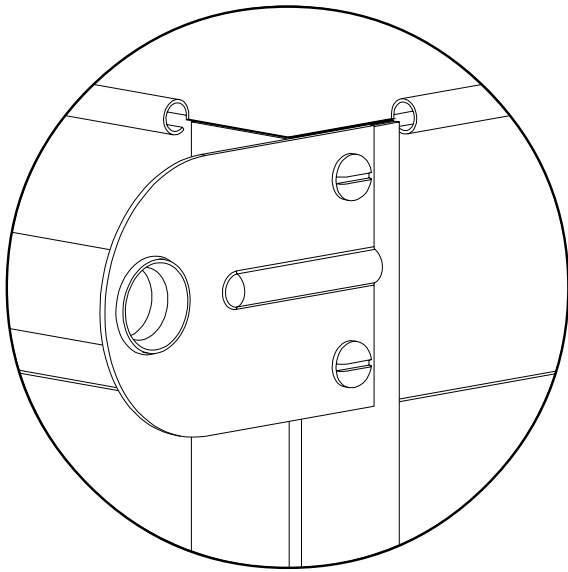


3. Place the caster support (Ref. No. 4) between the lower tray and the casters and secure with four of the 1/4-20 bolts and nuts. Repeat for each of the three other casters.

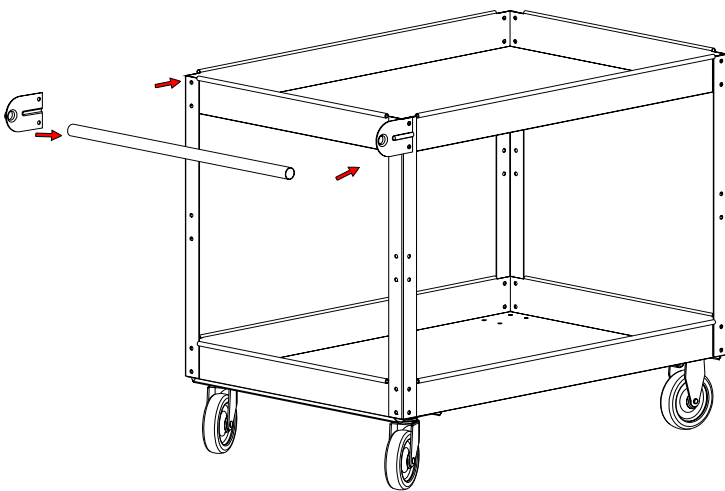


NOTE: Align the Caster Support holes with the lower tray holes.

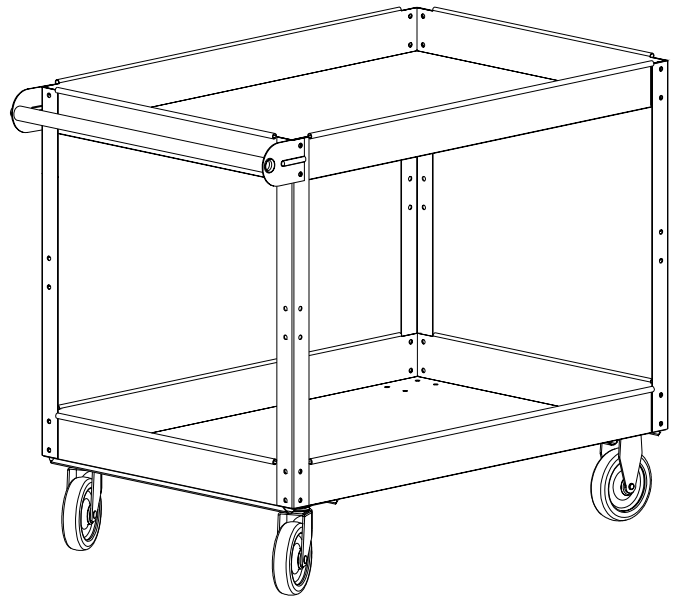
4. Attach the right handle bracket to the outside of the post using two of the nuts and bolts. Ensure the embossed side of the handle bracket is facing inward.



5. Slide the tubular handle (Ref. No. 8) over the embossed section of the bracket. While still holding the handle, place the left handle bracket into position and bolt to the post, as you did in step 4.

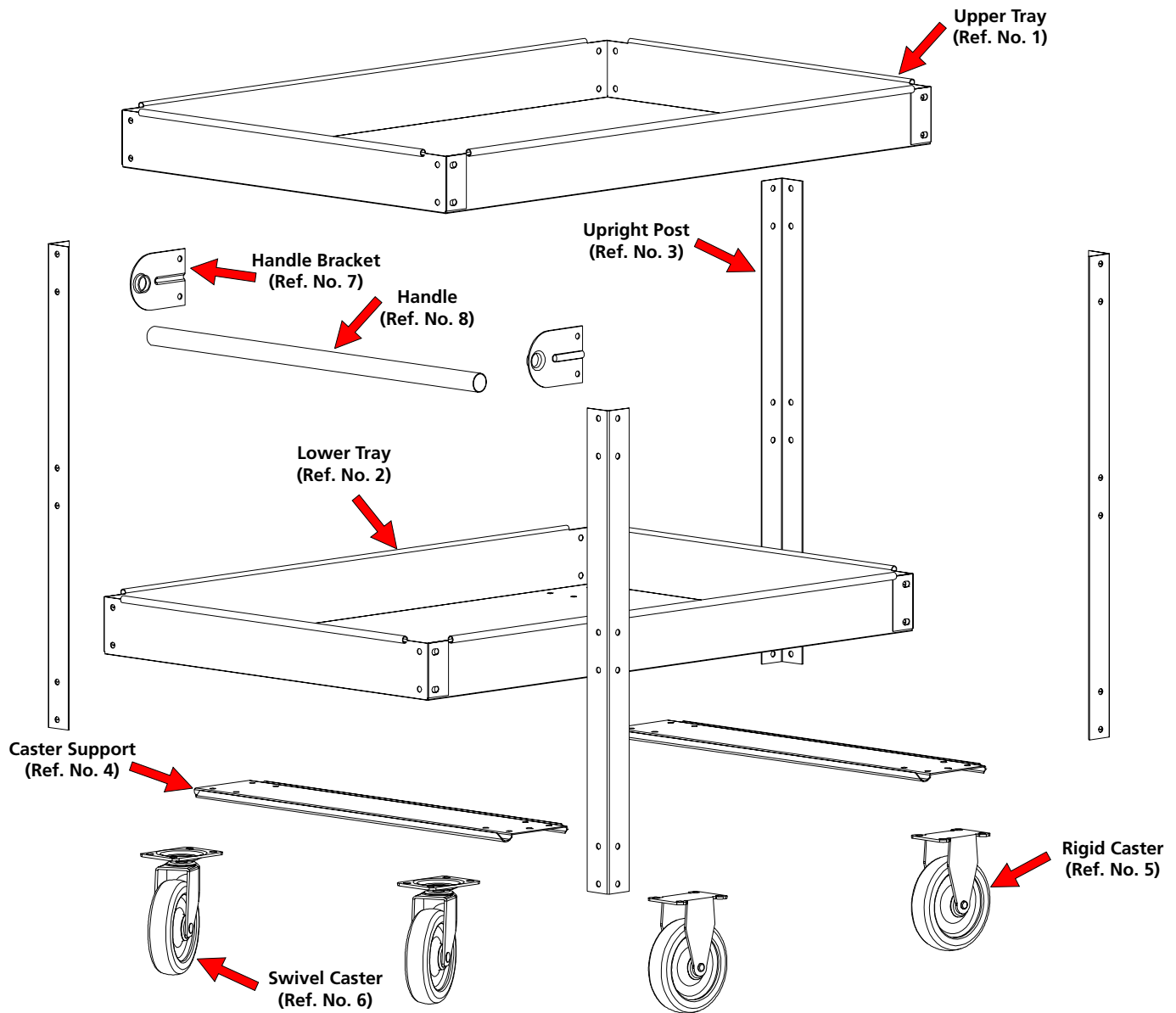


6. After checking the entire cart assembly for squareness, tighten all the bolts and nuts. Your Service Cart is now assembled and ready to use.



NOTE: Pulling the cart can cause serious injury; when moving the cart, always push the cart in front of you using the provided handle.

REPLACEMENT PARTS



REF. NO.	DESCRIPTION	PART NO.	QUANTITY
1	Upper Tray	ST-ww*	1
2	Lower Tray	SCLT-ww*	1
3	Upright Post	UP-1	4
4	Caster Support	CSB-ww*	2
5	Rigid Caster	SCCK-1	2
6	Swivel Caster	SCCK-2	2
7	Handle Bracket	HB-1	2
8	Handle	RH-ww*	1
9	Service Cart Hardware Pack (not shown above)	SCLT-ww*	1

Where the suffix "ww" is used in the part number, the width (ww) is substituted in the part number. For example, for a 30" wide x 16" deep upper tray, the part number would be ST-16.

NOTE: Additional hardware may be included for replacement purposes.

Tennsco makes every effort to ensure that all units ship complete with all parts and arrive undamaged. However, should your unit contain missing or damaged parts, please contact your purchase location.