

ASSEMBLY INSTRUCTIONS & PARTS MANUAL

Unassembled Bookcase Model B-3000



RETAIN INSTRUCTIONS FOR FUTURE REFERENCE



GENERAL SAFETY INFORMATION

Some parts may have sharp edges. CARE must be taken when handling various pieces to avoid injury. For safety, wear a pair of work gloves when assembling or performing any maintenance on the units.

LIMITED WARRANTY

Tennsco warrants goods purchased hereunder to be free of defects in materials and workmanship for a period of one (1) year from the date of shipment, hereunder. This warranty shall not apply in the event goods are damaged as a result of misuse, abuse, neglect, accident, improper application, modification or repair by persons not authorized by Seller, where goods are damaged during shipment, or where the date stamps on the goods have been defaced, modified or removed. UNLESS CONSIDERED UNENFORCEABLE OR UNLAWFUL UNDER APPLICABLE LAW:

- a. ALL IMPLIED WARRANTIES, INCLUDING BUT NOT LIMITED TO WARRANTIES OR MERCHANTABILITY AND FITNESS FOR A PARTICULAR PURPOSE ARE HEREBY EXCLUDED:
- b. BUYERS REMEDY, IF ANY, FOR ANY DEFECTIVE GOODS SHALL BE LIMITED TO A REFUND BY SELLER OR REPLACEMENT OF THE GOODS AT SELLER'S OPTION, AND SHALL IN NO EVENT INCLUDE DAMAGES OF ANY KIND, WHETHER INCIDENTAL, CONSEQUENTIAL OR OTHERWISE.

NO GOODS ACCEPTED FOR RETURN WITHOUT PRIOR APPROVAL. Seller shall have the right to inspect any goods claimed to be defective at Buyers place of business or require Buyer to return the goods to Seller for inspection on Seller's premises. Transportation charges covering returned goods will be borne by Seller only if such goods are proven to be defective, are covered by this warranty and are returned within the warranty period stated above.



PROUDLY MADE IN THE U.S.A.

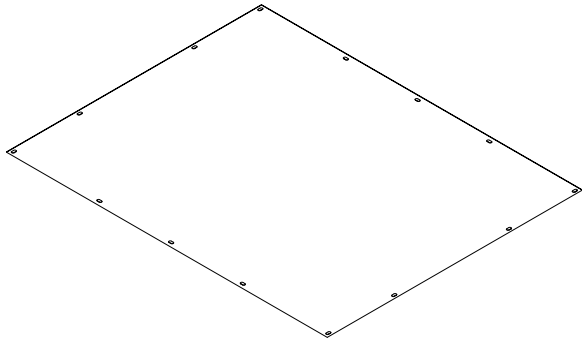
Tennsco LLC., Dickson, TN 37056-1888 • (866) 446-8686

ASSEMBLY OF UNASSEMBLED BOOKCASE

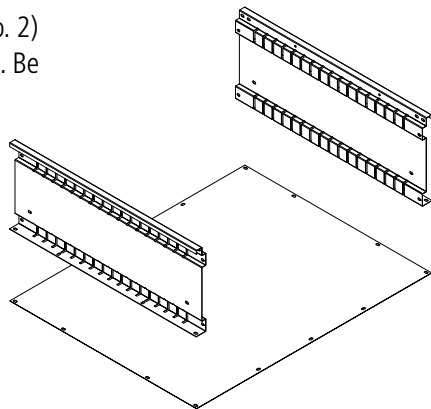
Two people are recommended for assembly. Approximate assembly time: 15-20 minutes.
Tools Required: A Phillips head screwdriver insert and 3/8" nut driver (included).

The reference numbers used throughout this sheet refer to the illustration on the back cover.
This is to help you to identify the various parts as they are mentioned.

1. Place the back (Ref. No. 1) on a flat surface.

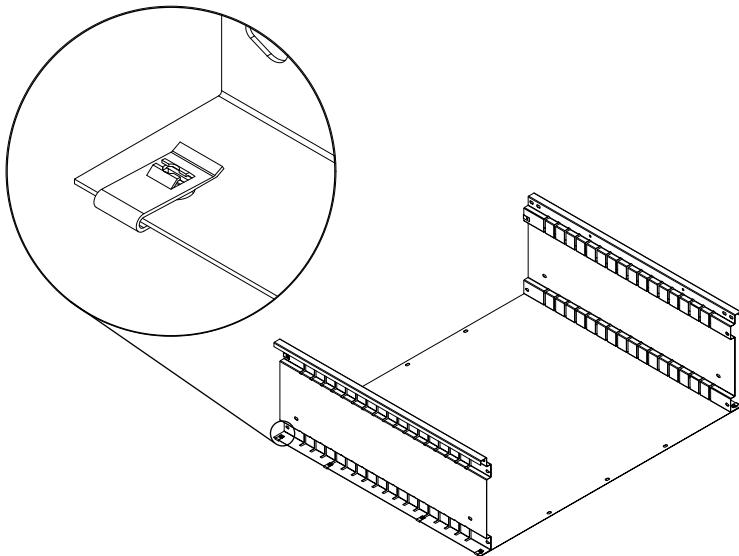


2. Place the upright (Ref. No. 2) on either side of the back. Be sure that the flat edge of the upright is facing outward as shown.



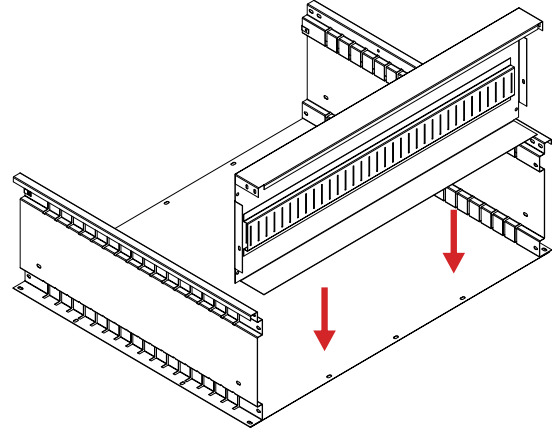
NOTE: There is no "right" or "left" upright; both uprights are the same. There is a small unslotted area at the end of each upright; when properly installed, these will not be directly across from each other, but on opposite ends of the unit.

3. Fasten each upright to the back using Tinnerman clips (Ref. No. 7). Place one Tinnerman clip over each of the slotted holes.



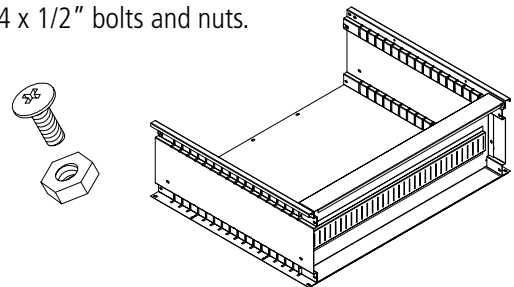
NOTE: Do not place the screws into the Tinnerman clips yet. The back will be screwed into place in step 7.

4. Place the bottom shelf (Ref. No. 4) into position by slipping into slots on uprights. It may be necessary to pry uprights apart slightly to move bottom shelf into position.

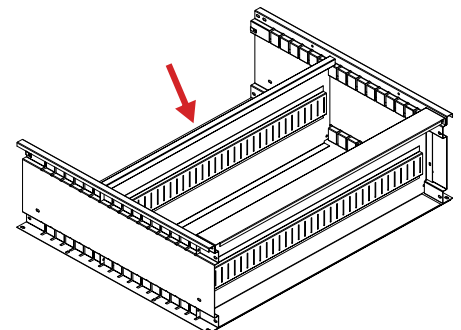


NOTE: As mentioned in Step 2, the uprights have an unslotted area at one end which will be at the top of the unit on one side and at the bottom of the unit on the other side. This means that the bottom shelf will be inserted in the second slot from the bottom on the upright with slots all the way to the bottom, but in the first slot from the bottom on the opposite upright (the one with the slotless area at the bottom).

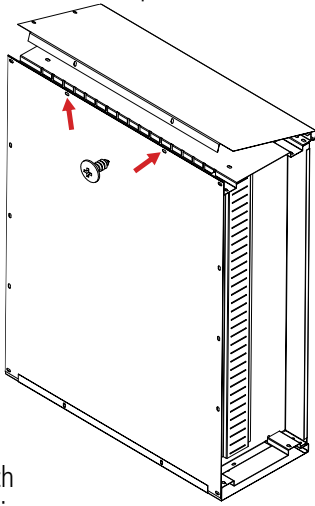
5. Secure the bottom shelf to the uprights with two 10-24 x 1/2" bolts and two nuts (Ref. No. 9) on each end. Then insert one 10-24 x 1/2" bolt and nut into the center of each end of the bottom shelf and upright. Next, bolt the bottom shelf to the back of the bookcase with three 10-24 x 1/2" bolts and nuts.



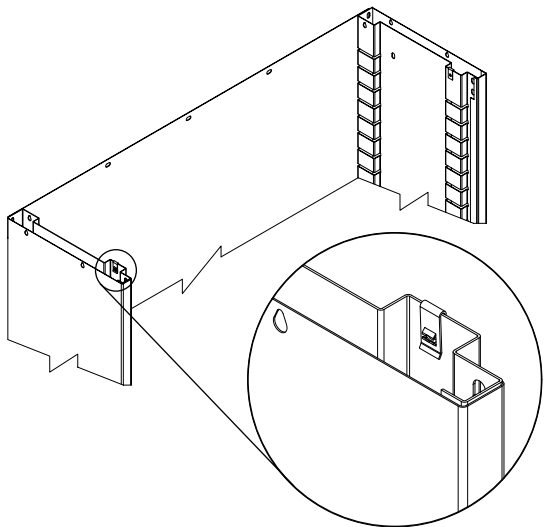
6. Temporarily insert the shelf (Ref. No. 6) near the top of the unit to keep uprights stationary after unit is turned on it's side.



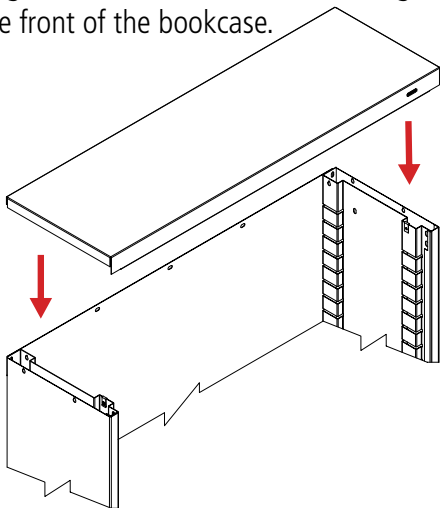
- 7.** Turn the bookcase on one side and hook one end panel (Ref. No. 3) over the front of the upright. Then slip the end panel around the back of the unit and over the Tinnerman clips (some force may be required to do this). Secure the end panel to the back by tightening two sheet metal screws (Ref. No. 10) into the Tinnerman clips. When this is completed, turn the unit onto the opposite side and repeat this procedure.



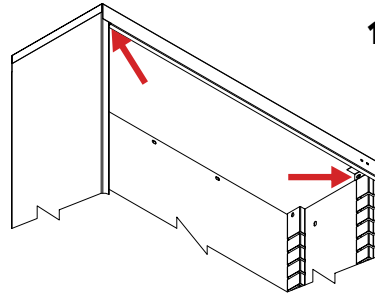
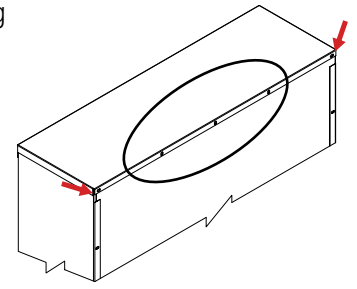
- 8.** At the front of the top of each upright, place a Tinnerman clip over the slotted hole as shown.



- 9.** Set the unit upright and place the top shelf (Ref. No. 5) into position. The edges of the shelf will fit on the outside of the two uprights and the back. The Tennsco logo should face the front of the bookcase.

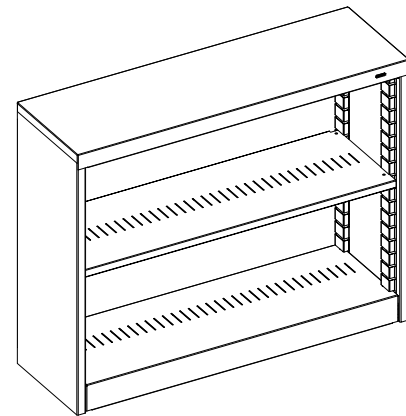


- 10.** Bolt the back to the top using three 10-24 x 1/2 bolts and nuts. Then bolt the rear corners at the back to the top using sheet metal screws in Tinnerman clips already inserted.

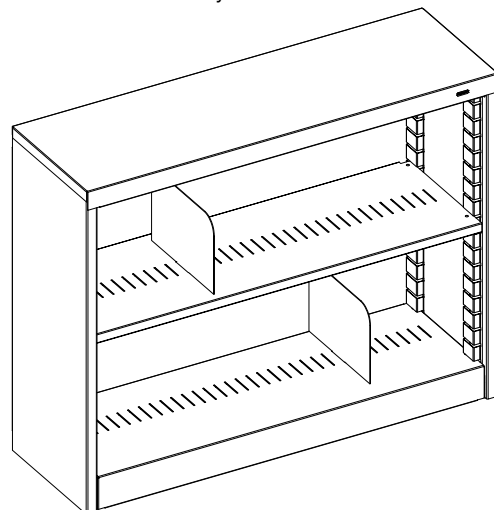


- 11.** Bolt the front of the top to each upright using two Tinnerman clips (which were inserted in step 9) and two sheet metal screws. These holes are hidden underneath the front lip of the bookcase top.

- 12.** If necessary, move the shelf which had been inserted in step 6 for stability, to a more suitable position.



- 13.** Place the two dividers (Ref. No. 8) as desired. Your B-3000 bookcase is now ready for use.



REPLACEMENT PARTS



Tinnerman Clip
(Ref. No. 7)



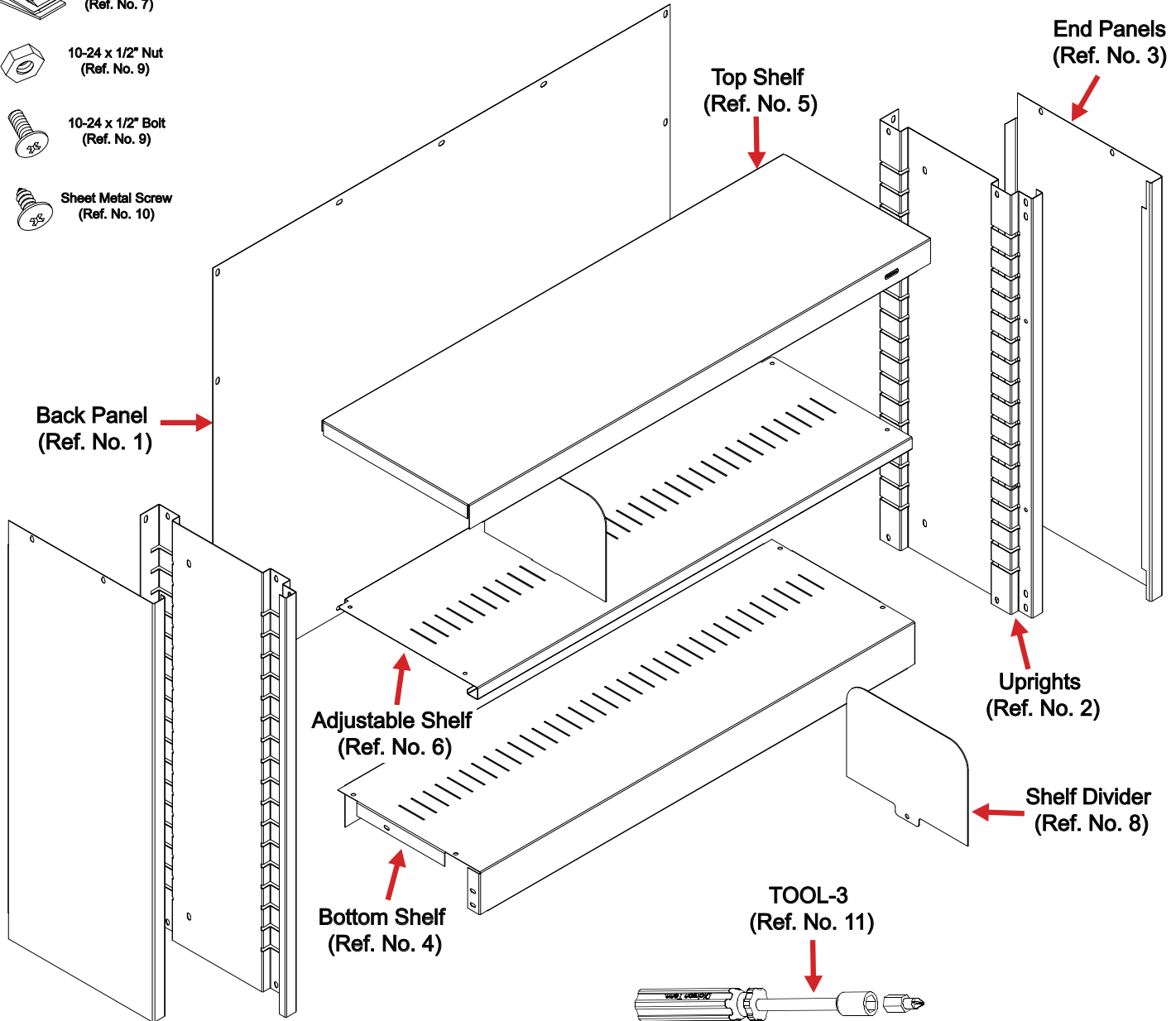
10-24 x 1/2" Nut
(Ref. No. 9)



10-24 x 1/2" Bolt
(Ref. No. 9)



Sheet Metal Screw
(Ref. No. 10)



REF. NO.	DESCRIPTION	PART NO.	QUANTITY
1	Back Panel	B-3830	1
2	Uprights (Pair)	B-1230	1
3	End Panels (Pair)	B-30E	1
4	Bottom Shelf	B-12B	1
5	Top Shelf	B-1238	1
6	Adjustable Shelves	B-12	1
7	Tinnerman Clip	C1787	10
8	Shelf Divider	B-1	2
9	10-24 x 1/2" Bolts and Nuts	*	12
10	#10-24 1/2" Sheet Metal Screws	*	10
11	Phillips Insert and 3/5" Nut Driver	TOOL-3	1

NOTE: Additional hardware may be included for replacement purposes.

Tennsco makes every effort to ensure that all units ship complete with all parts and arrive undamaged. However, should your unit contain missing or damaged parts, please contact your purchase location.