

**L&T Standard Shelving Units**

RETAIN INSTRUCTIONS FOR FUTURE REFERENCE

---



**GENERAL SAFETY INFORMATION**

Some parts may have sharp edges. CARE must be taken when handling various pieces to avoid injury. For safety, wear a pair of work gloves when assembling or performing any maintenance on the unit.

---

**LIMITED WARRANTY**

Tennsco warrants goods purchased hereunder to be free of defects in materials and workmanship for a period of one (1) year from the date of shipment, hereunder. This warranty shall not apply in the event goods are damaged as a result of misuse, abuse, neglect, accident, improper application, modification or repair by persons not authorized by Seller, where goods are damaged during shipment, or where the date stamps on the goods have been defaced, modified or removed. UNLESS CONSIDERED UNENFORCEABLE OR UNLAWFUL UNDER APPLICABLE LAW:

- a. ALL IMPLIED WARRANTIES, INCLUDING BUT NOT LIMITED TO WARRANTIES OR MERCHANTABILITY AND FITNESS FOR A PARTICULAR PURPOSE ARE HEREBY EXCLUDED:
- b. BUYERS REMEDY, IF ANY, FOR ANY DEFECTIVE GOODS SHALL BE LIMITED TO A REFUND BY SELLER OR REPLACEMENT OF THE GOODS AT SELLER'S OPTION, AND SHALL IN NO EVENT INCLUDE DAMAGES OF ANY KIND, WHETHER INCIDENTAL, CONSEQUENTIAL OR OTHERWISE.

NO GOODS ACCEPTED FOR RETURN WITHOUT PRIOR APPROVAL. Seller shall have the right to inspect any goods claimed to be defective at Buyers place of business or require Buyer to return the goods to Seller for inspection on Seller's premises. Transportation charges covering returned goods will be borne by Seller only if such goods are proven to be defective, are covered by this warranty and are returned within the warranty period stated above.

---



**PROUDLY MADE IN THE U.S.A.**

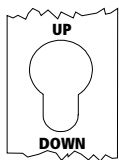
Tennsco LLC., Dickson, TN 37056-1888 • (866) 446-8686

# ASSEMBLY OF L&T SHELVING UNIT

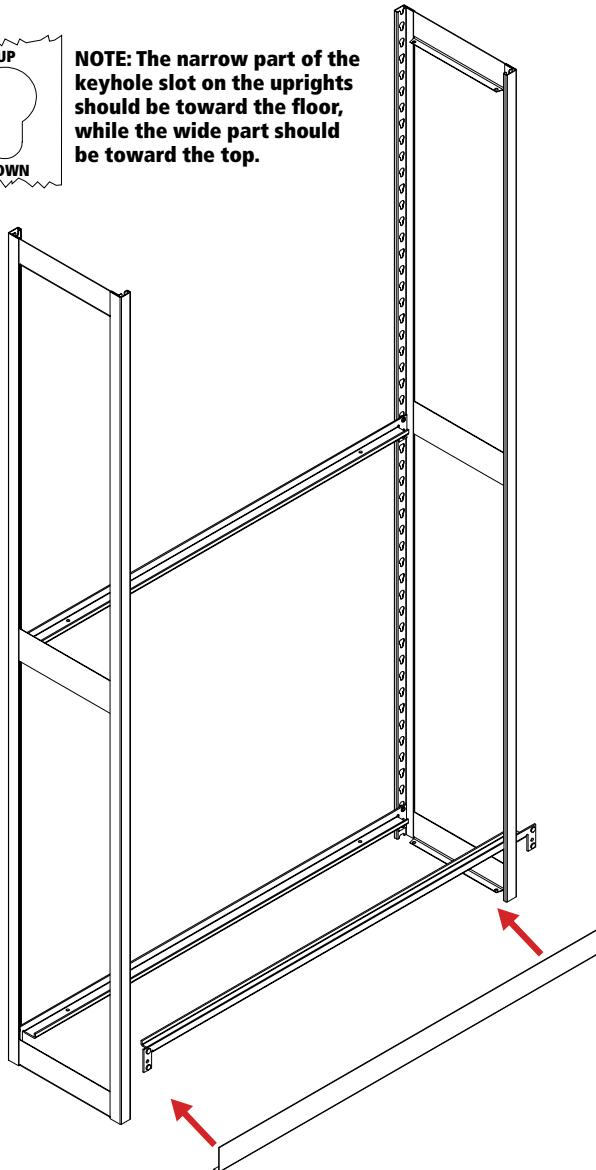
Two people are recommended for assembly. Approximate assembly time: 20-30 minutes.

1. The reference numbers used throughout this sheet refer to the illustration on the back cover. This is to help you to identify the various parts as they are mentioned.
2. Temporarily place one shelf support (Ref. No. 4) at eye level to properly space the uprights (Ref. No. 2 or 3). Place the bottom shelf support at the back section, in the second and third holes from the bottom with the ears facing down. If using SHS supports (Ref. No. 13), be sure to use the bottom keyhole slots on the uprights.

**NOTE: The drawings throughout this instruction sheet show the open uprights and single entry units. If your unit came with the closed uprights, the uprights will look different than the drawings shown throughout these instructions, however both uprights will attach in the same way to the shelf supports. If you have double entry, the unit will put together the same only wider.**

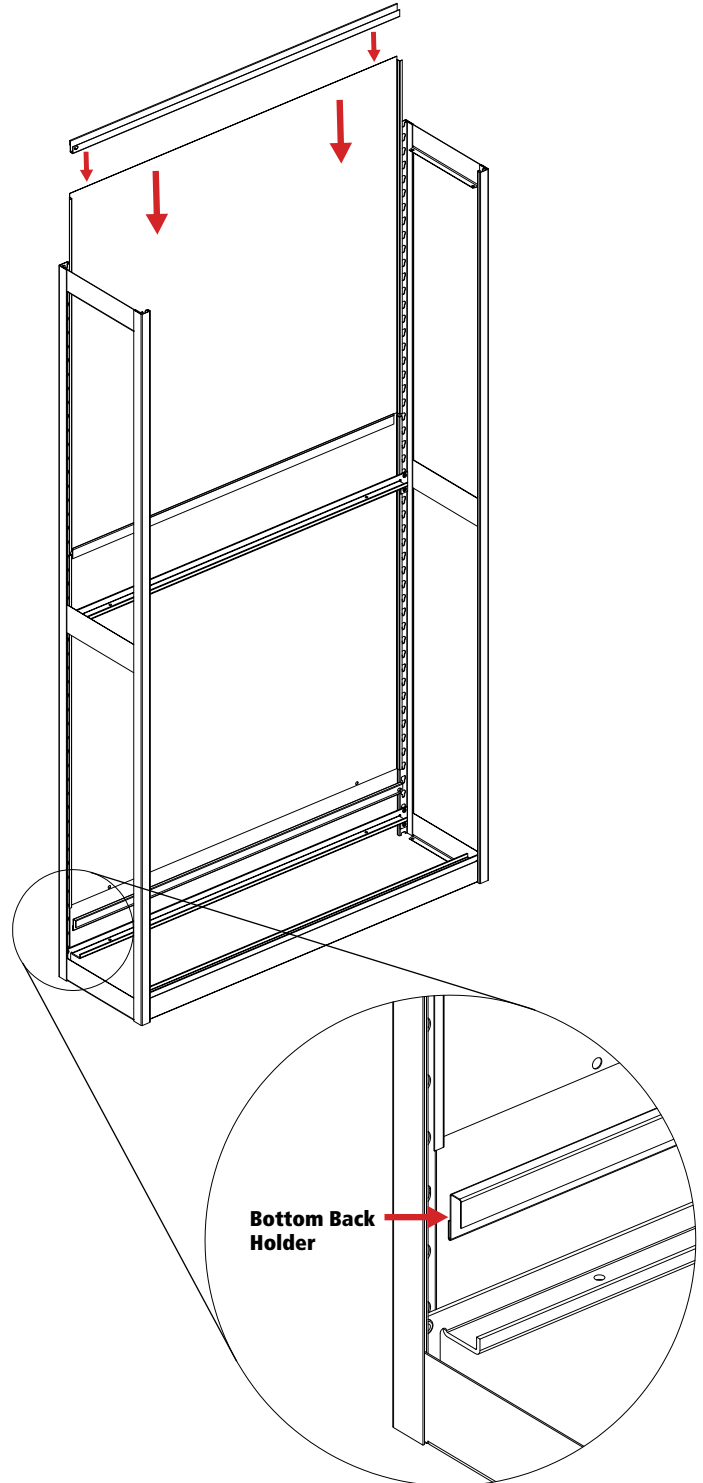


**NOTE: The narrow part of the keyhole slot on the uprights should be toward the floor, while the wide part should be toward the top.**

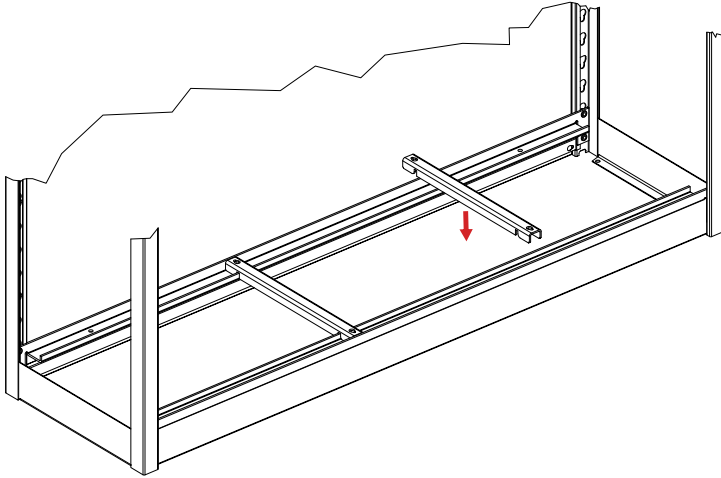


**NOTE: If optional front base (Ref. No. 6) is used, position it inside the upright posts, with flange on the floor, before inserting the shelf support. If joining units together use a "T" post upright instead of an "L".**

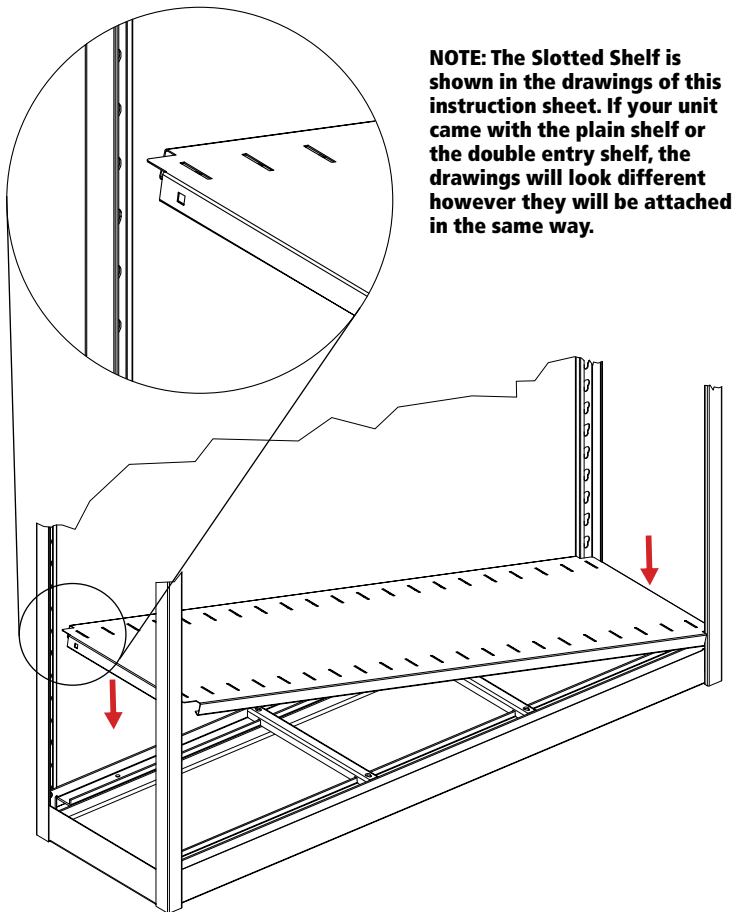
3. Optional back (Ref. No. 1) must be installed before shelves. Insert one edge of the back between the post and supports. Then "bow" the back slightly and insert the offset on the other edge of back between post and supports and allow the back to flatten out. With the help of another person, lift the back up enough to install the back holder on the bottom of the back panel. Place the other back holder on top once the back is lowered into place. This will keep the back panel flat in the unit.



4. When using the optional shelf reinforcements (Ref. No. 10), place them on the shelf supports as shown and locate them as desired. For best support, divide the space between the reinforcements and the uprights into equal spaces.



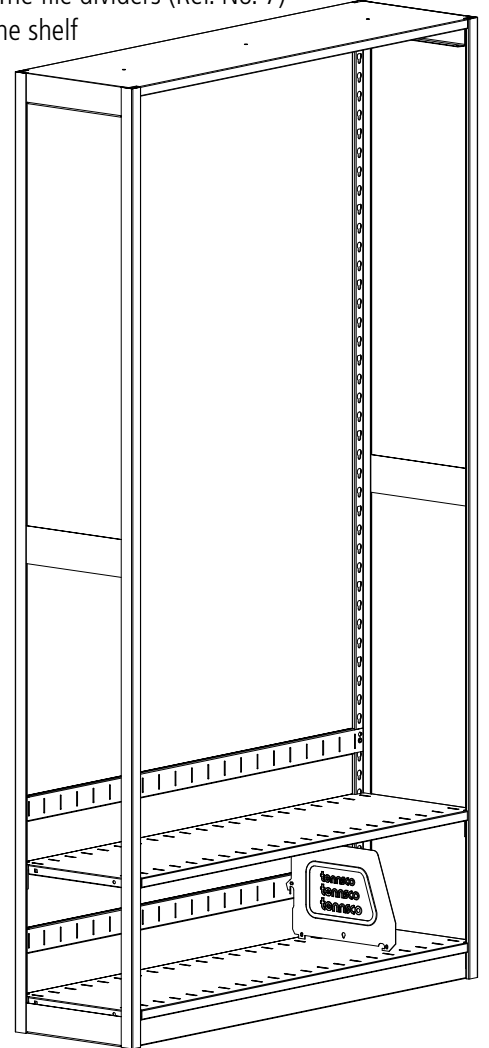
5. Shelves (Ref. No. 5) should be tilted in as shown below. The square hole on the side flange of the shelf goes to the rear of the unit. The round hole on the side flange goes toward the front of the unit. Note that the end flange is placed inside the upright spacer, and that the optional base fits between the shelf and the shelf support.



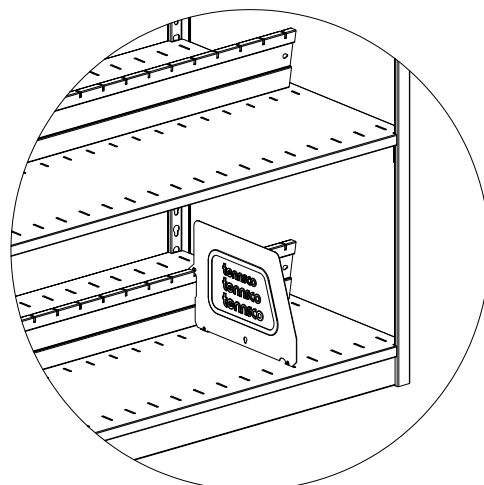
**NOTE: The Slotted Shelf is shown in the drawings of this instruction sheet. If your unit came with the plain shelf or the double entry shelf, the drawings will look different however they will be attached in the same way.**

**NOTE: Make sure that all the shelf supports are seated properly.**

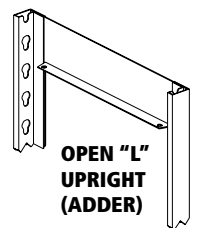
6. If backstop (Ref. No. 8) or center stop (Ref. No. 9) is used insert it now as shown below. Insert the backstop into the third full set of keyhole slots above the top of the shelf. The center stop is attached to the middle of the shelf using nuts and bolts. The file dividers (Ref. No. 7) will hook into the shelf and into the backstop or centerstop. Once the backstop or centerstop is installed, you can install another shelf level and repeat until the unit is complete.



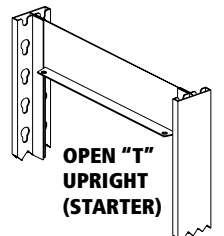
**NOTE: Optional slotted centerstop is only used on double entry shelving units and attaches to the middle of the shelf. Double entry units are assembled the same as single entry. If using adder units, "T" uprights will be included and used in conjunction with "L" uprights.**



**DOUBLE ENTRY UNIT WITH SLOTTED CENTERSTOP**

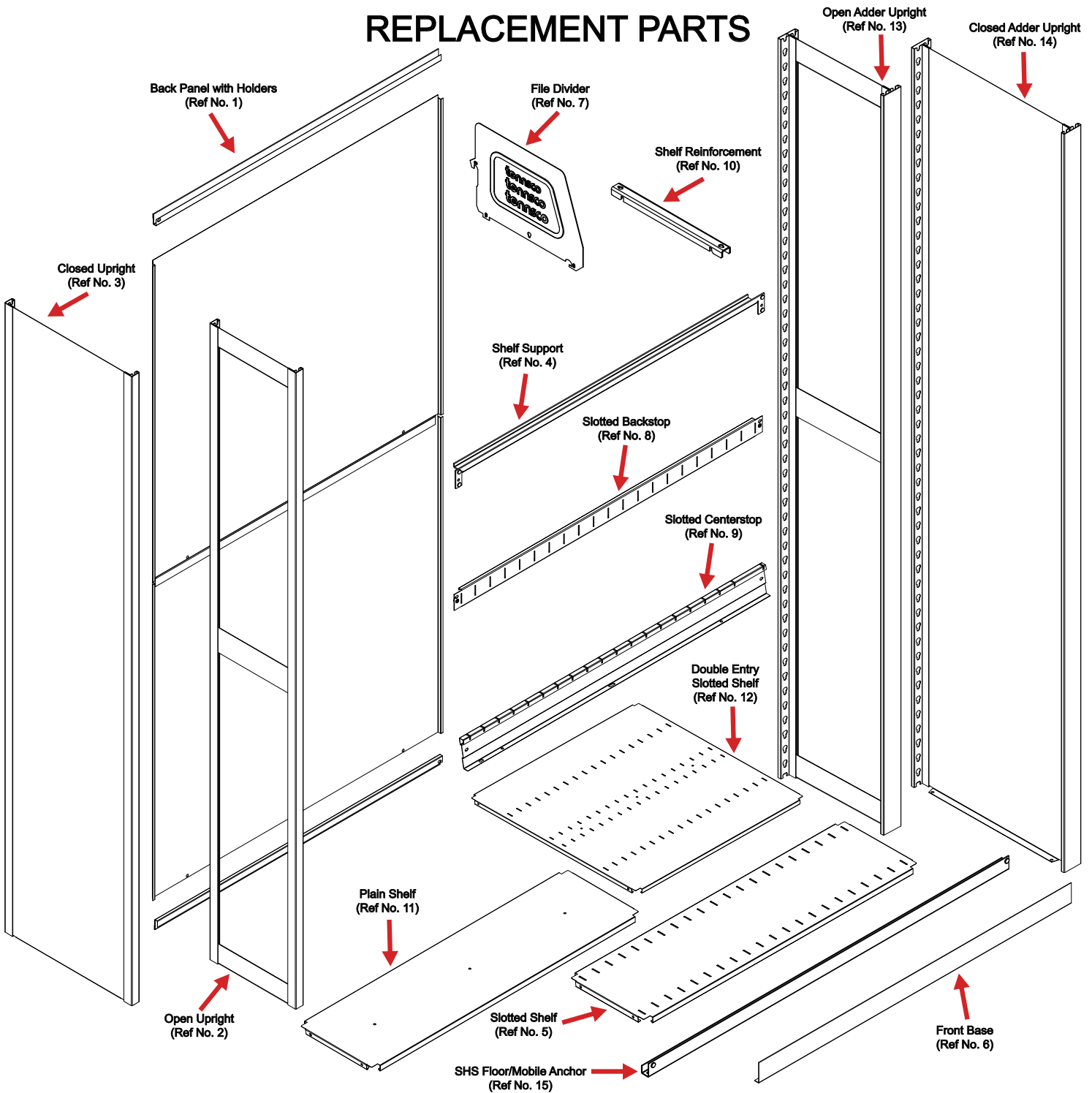


**OPEN "L"  
UPRIGHT  
(ADDER)**



**OPEN "T"  
UPRIGHT  
(STARTER)**

# REPLACEMENT PARTS



REF. NO.	DESCRIPTION	PART NO.	REF. NO.	DESCRIPTION	PART NO.
1	Back Panel w/Stiffeners	LTBP-wwhh-2	9	Slotted Centerstop	CS-ww
2	Open Starter Upright	ddhhLO	10	Shelf Reinforcement	TR-dd
3	Closed Starter Upright	ddhhLC	11	Plain Shelf	T2-wwdd
4	Shelf Support	TS-ww14	12	Double Entry Slotted Shelf	TQD2-wwdd
5	Slotted Shelf	TQ2-wwdd	13	Open Adder Upright	ddhhTO
6	Front Base	FB-wwhh	14	Closed Adder Upright	ddhhTC
7	File Divider	FD-ddhh	15	Floor/Mobile Anchor	SHS-wwhh
8	Slotted Backstop	BS-ww			

Where the suffix "ww", "dd", or "hh" is used in the part number, the width (ww), depth (dd) or height (hh) is substituted in the part number. For example, for an 88" high by 15" deep Open Upright, the part number would be 1588LO.

NOTE: Additional hardware may be included for replacement purposes.

Tensco makes every effort to ensure that all units ship complete with all parts and arrive undamaged. However, should your unit contain missing or damaged parts, please contact your purchase location.