

Open Foreman's Desk



RETAIN INSTRUCTIONS FOR FUTURE REFERENCE

.....



GENERAL SAFETY INFORMATION

Some parts may have sharp edges. CARE must be taken when handling various pieces to avoid injury. For safety, wear a pair of work gloves when assembling or performing any maintenance on units.

.....

LIMITED WARRANTY

Tennsco warrants goods purchased hereunder to be free of defects in materials and workmanship for a period of one (1) year from the date of shipment, hereunder. This warranty shall not apply in the event goods are damaged as a result of misuse, abuse, neglect, accident, improper application, modification or repair by persons not authorized by Seller, where goods are damaged during shipment, or where the date stamps on the goods have been defaced, modified or removed. UNLESS CONSIDERED UNENFORCEABLE OR UNLAWFUL UNDER APPLICABLE LAW:

- a. ALL IMPLIED WARRANTIES, INCLUDING BUT NOT LIMITED TO WARRANTIES OR MERCHANTABILITY AND FITNESS FOR A PARTICULAR PURPOSE ARE HEREBY EXCLUDED:
- b. BUYERS REMEDY, IF ANY, FOR ANY DEFECTIVE GOODS SHALL BE LIMITED TO A REFUND BY SELLER OR REPLACEMENT OF THE GOODS AT SELLER'S OPTION, AND SHALL IN NO EVENT INCLUDE DAMAGES OF ANY KIND, WHETHER INCIDENTAL, CONSEQUENTIAL OR OTHERWISE.

NO GOODS ACCEPTED FOR RETURN WITHOUT PRIOR APPROVAL. Seller shall have the right to inspect any goods claimed to be defective at Buyers place of business or require Buyer to return the goods to Seller for inspection on Seller's premises. Transportation charges covering returned goods will be borne by Seller only if such goods are proven to be defective, are covered by this warranty and are returned within the warranty period stated above.

.....



PROUDLY MADE IN THE U.S.A.

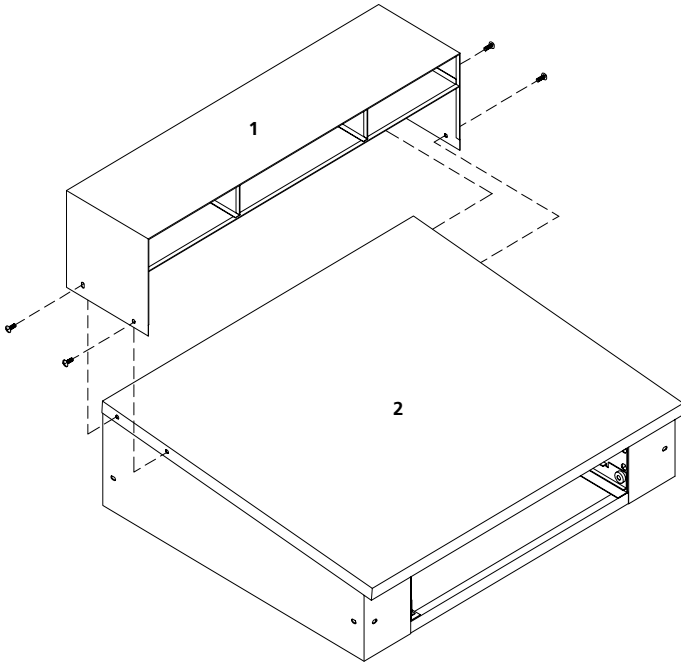
Tennsco LLC., Dickson, TN 37056-1888 • (866) 446-8686

ASSEMBLY OF AN OPEN FOREMAN'S DESK

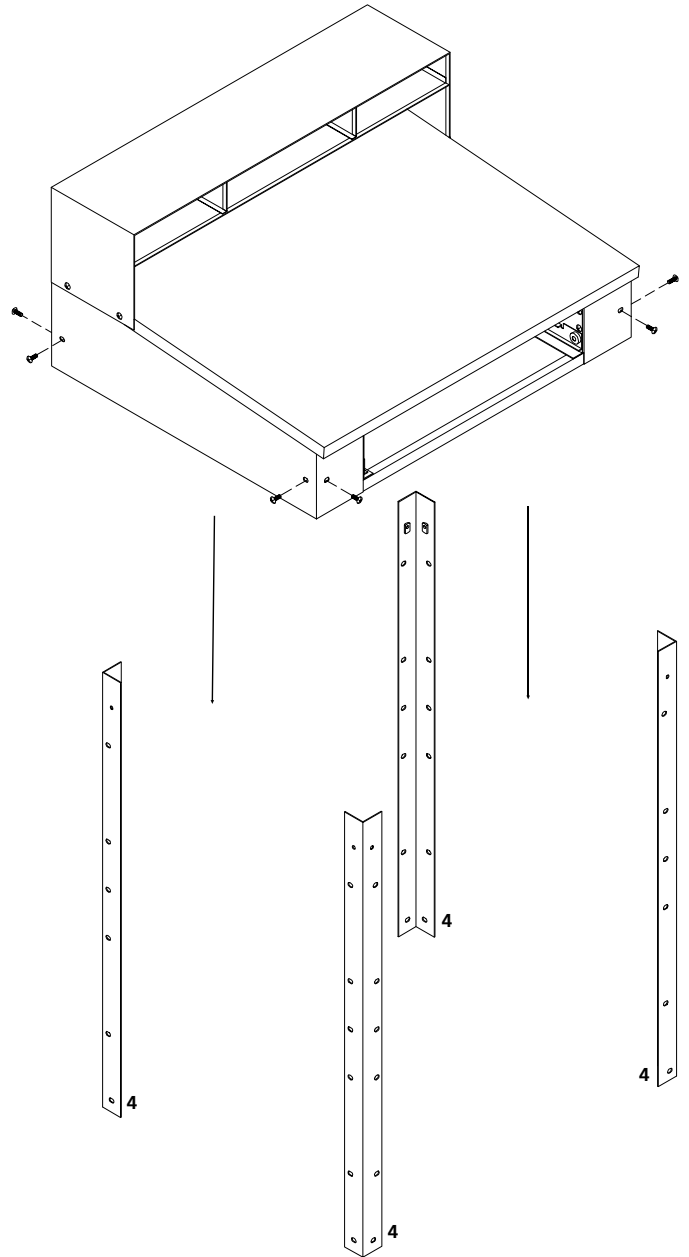
Two people are recommended for assembly. Approximate assembly time: 30-40 minutes.
Tools required: slotted screwdriver, Philips screwdriver, and 7/16" wrench or nut driver.

The reference numbers used throughout this sheet refer to the illustration on the back cover.
This is to help you to identify the various parts as they are mentioned.

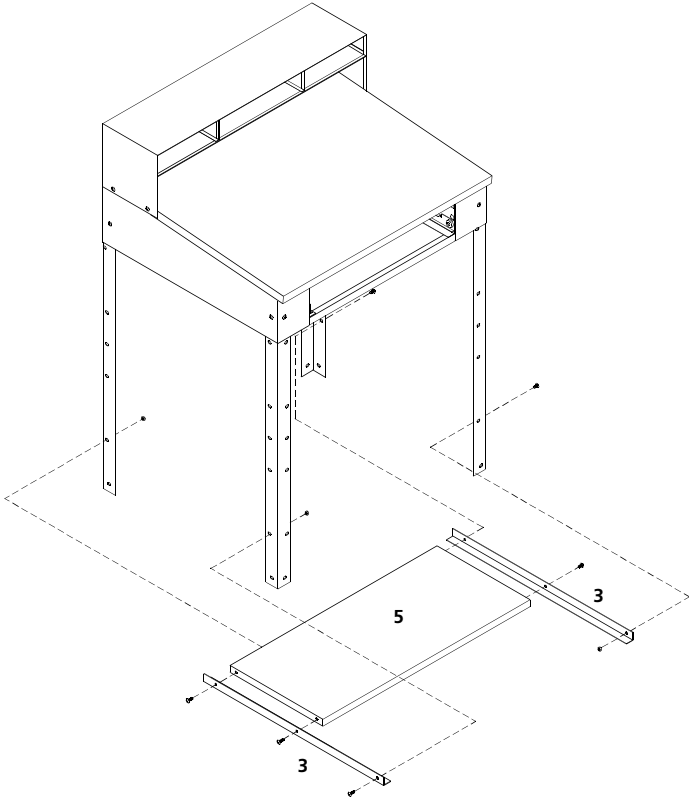
- 1.** First, remove all parts from carton and check against the parts list on back cover for any missing parts. The drawer has been placed inside the desktop for packaging purposes. While it is not necessary to remove the drawer to assemble the unit you may wish to do so for easier access.
Next, attach the desk riser (Ref. No. 1) to the back of the desktop assembly (Ref. No. 2) using four of the bolts and nuts (Ref. Nos 8 & 9) supplied. If you have left the drawer inside the desk top, slide the drawer partially forward for easier access to the back holes.



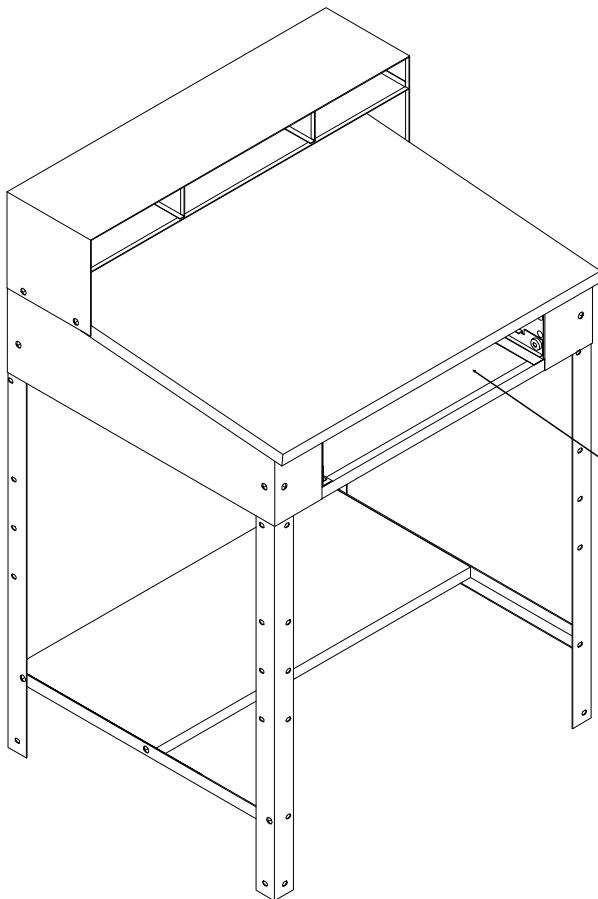
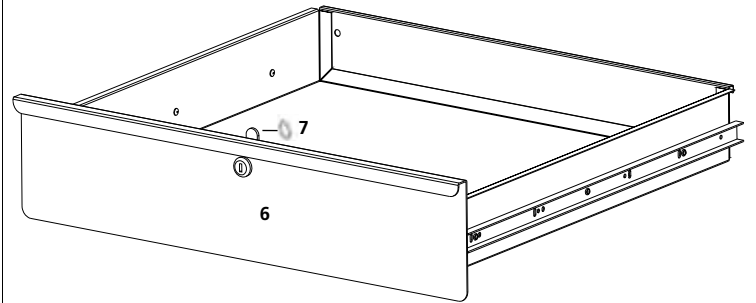
- 2.** Attach the four legs (Ref. No. 4) to the desktop assembly using eight bolts, inserting them into the pre-welded nuts on each leg.



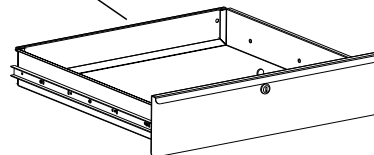
- 3.** Attach the shelf supports (Ref. No. 3) to the front legs, using one bolt on each leg. Next, place the shelf (Ref. No. 5) into position and bolt the shelf and shelf support to the rear legs, again using one bolt per leg. Secure the shelf by bolting it to each shelf support.



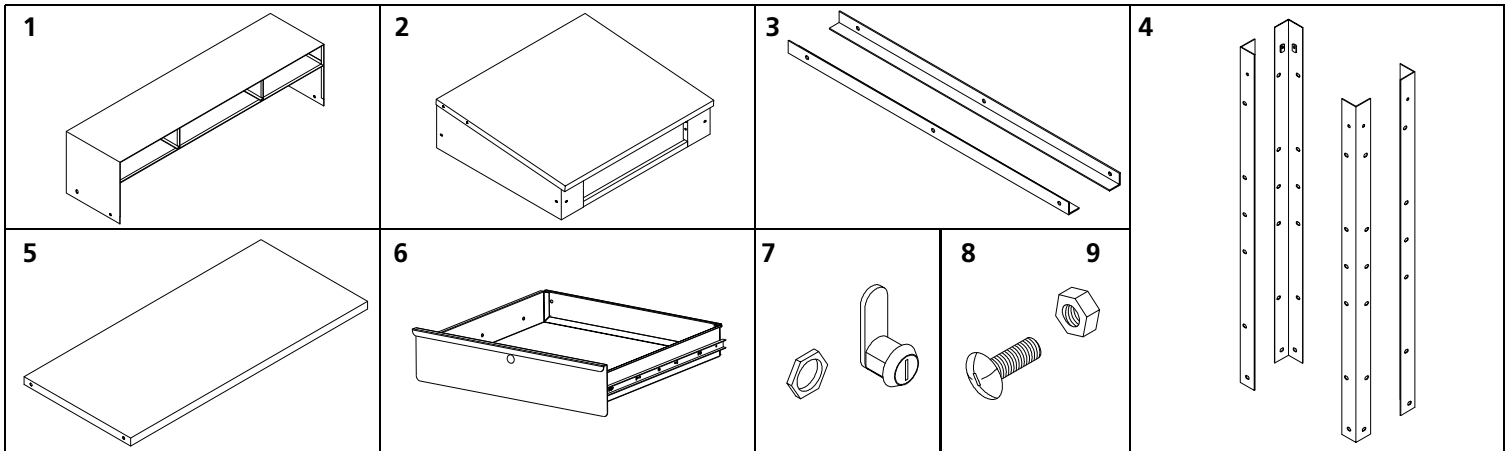
- 4.** Insert the drawer lock (Ref. No. 7) into the drawer front (Ref. No. 6), then attach with the accompanying hex nut.



- 5.** If the drawer was removed from the desktop earlier, re-insert it now.
- 6.** Make sure all the bolts and nuts are tightened securely before using the unit.



REPLACEMENT PARTS



REF. NO.	DESCRIPTION	QTY.	PART NO.
1	Desk Riser	1	SR-12R
2	Desktop Assembly	1	SR-13T
3	Shelf Supports	2	SR-31SS
4	Legs	4	SR-15LO
5	Shelf	1	SR-30S
6	Drawer	1	SR-28D
7	Drawer Lock w/Hex Nut	1	CL-1
8	1/4" -20 x 5/8" Slotted Screws	20	**
9	1/4" -20 Hex Nuts	12	**

** Available Locally

NOTE: Additional hardware may be included for replacement purposes.

Tennsco makes every effort to ensure that all units ship complete with all parts and arrive undamaged. However, should your unit contain missing or damaged parts, please contact your purchase location.