

# **ASSEMBLY INSTRUCTIONS & PARTS MANUAL**

## **LBP-1 Pedestal Attachment to Laminate Hard Maple Benches**

**Models: HMLB-36, HMLB-48, HMLB-60, HMLB-72, HMLB-84,  
HMLB-96, HMLB-108, HMLB-120, HMLB-132, & HMLB-144**



**RETAIN INSTRUCTIONS FOR FUTURE REFERENCE**

.....



### **GENERAL SAFETY INFORMATION**

Some parts may have sharp edges. CARE must be taken when handling various pieces to avoid injury. For safety, wear a pair of work gloves when assembling or performing any maintenance on units.

.....

### **LIMITED WARRANTY**

Tennsco warrants goods purchased hereunder to be free of defects in materials and workmanship for a period of one (1) year from the date of shipment, hereunder. This warranty shall not apply in the event goods are damaged as a result of misuse, abuse, neglect, accident, improper application, modification or repair by persons not authorized by Seller, where goods are damaged during shipment, or where the date stamps on the goods have been defaced, modified or removed. UNLESS CONSIDERED UNENFORCEABLE OR UNLAWFUL UNDER APPLICABLE LAW:

- a. ALL IMPLIED WARRANTIES, INCLUDING BUT NOT LIMITED TO WARRANTIES OR MERCHANTABILITY AND FITNESS FOR A PARTICULAR PURPOSE ARE HEREBY EXCLUDED:
- b. BUYERS REMEDY, IF ANY, FOR ANY DEFECTIVE GOODS SHALL BE LIMITED TO A REFUND BY SELLER OR REPLACEMENT OF THE GOODS AT SELLER'S OPTION, AND SHALL IN NO EVENT INCLUDE DAMAGES OF ANY KIND, WHETHER INCIDENTAL, CONSEQUENTIAL OR OTHERWISE.

NO GOODS ACCEPTED FOR RETURN WITHOUT PRIOR APPROVAL. Seller shall have the right to inspect any goods claimed to be defective at Buyers place of business or require Buyer to return the goods to Seller for inspection on Seller's premises. Transportation charges covering returned goods will be borne by Seller only if such goods are proven to be defective, are covered by this warranty and are returned within the warranty period stated above.

.....

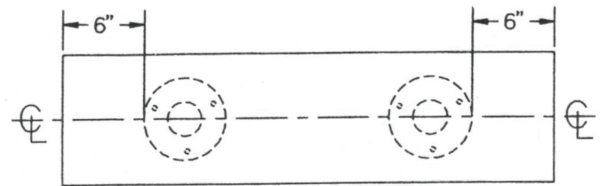
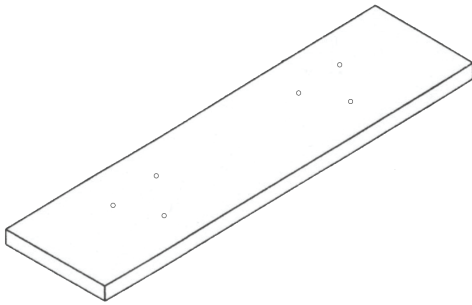


**PROUDLY MADE IN THE U.S.A.**

Tennsco LLC., Dickson, TN 37056-1888 • (866) 446-8686

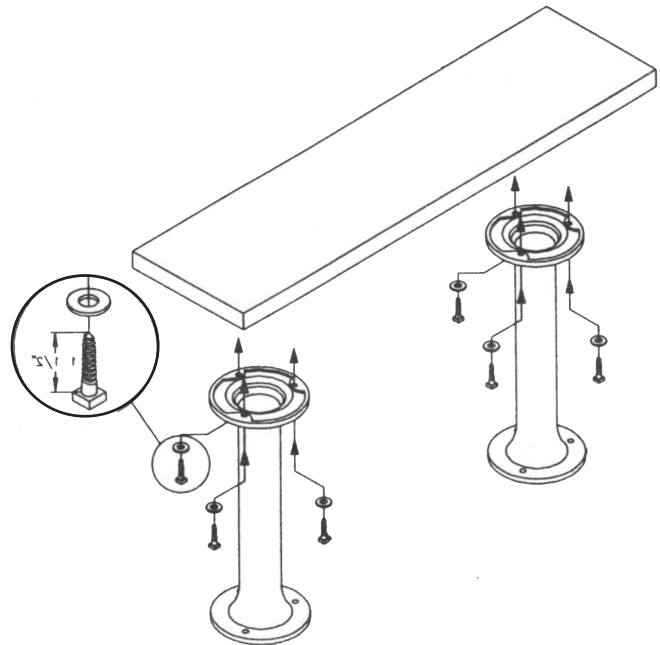
# Assembly of Locker Bench

1. Place the hardwood bench top upside down on a non-marring surface. Using the pedestal as a guide, mark the hole location for mounting the pedestal to the bench, 6" from each end of the bench.

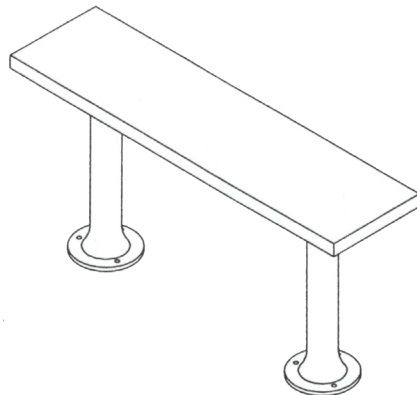


Top Down View

2. With a 3/16" diameter drill bit, drill a 1" deep hole through each of the guide marks.
3. Place the pedestals in alignment with the predrilled holes. Install the screws in the holes through the pedestals.



4. Your locker bench is now complete. It must be anchored to the floor for stability and safety. Select the correct anchor for the mounting surface and local codes.



---

Tennsco makes every effort to ensure that all units ship complete with all parts and arrive undamaged. However, should your unit contain missing or damaged parts, please contact your purchase location.