

ASSEMBLY INSTRUCTIONS & PARTS MANUAL



Modular Workbench with Steel Top

RETAIN INSTRUCTIONS FOR FUTURE REFERENCE



LOAD CAPACITIES FOR STEEL TOP	
UNIT SIZE	WT. CAPACITY
48w x 30d	4000 lbs.
60w x 30d	2500 lbs.
72w x 30d	1800 lbs.
96w x 30d	4000 lbs.
48w x 36d	4000 lbs.
60w x 36d	2500 lbs.
72w x 36d	1800 lbs.
96w x 36d	4000 lbs.

NOTE: Additional accessories shown above are sold separately.

GENERAL SAFETY INFORMATION

Some parts may have sharp edges. CARE must be taken when handling various pieces to avoid injury. For safety, wear a pair of work gloves when assembling or performing any maintenance on units.

LIMITED WARRANTY

Tennsco warrants goods purchased hereunder to be free of defects in materials and workmanship for a period of one (1) year from the date of shipment, hereunder. This warranty shall not apply in the event goods are damaged as a result of misuse, abuse, neglect, accident, improper application, modification or repair by persons not authorized by Seller, where goods are damaged during shipment, or where the date stamps on the goods have been defaced, modified or removed. UNLESS CONSIDERED UNENFORCEABLE OR UNLAWFUL UNDER APPLICABLE LAW:

- a. ALL IMPLIED WARRANTIES, INCLUDING BUT NOT LIMITED TO WARRANTIES OR MERCHANTABILITY AND FITNESS FOR A PARTICULAR PURPOSE ARE HEREBY EXCLUDED:
- b. BUYERS REMEDY, IF ANY, FOR ANY DEFECTIVE GOODS SHALL BE LIMITED TO A REFUND BY SELLER OR REPLACEMENT OF THE GOODS AT SELLER'S OPTION, AND SHALL IN NO EVENT INCLUDE DAMAGES OF ANY KIND, WHETHER INCIDENTAL, CONSEQUENTIAL OR OTHERWISE.

NO GOODS ACCEPTED FOR RETURN WITHOUT PRIOR APPROVAL. Seller shall have the right to inspect any goods claimed to be defective at Buyers place of business or require Buyer to return the goods to Seller for inspection on Seller's premises. Transportation charges covering returned goods will be borne by Seller only if such goods are proven to be defective, are covered by this warranty and are returned within the warranty period stated above.



PROUDLY MADE IN THE U.S.A.

Tennsco LLC., Dickson, TN 37056-1888 • (866) 446-8686

ASSEMBLY OF STEEL TOP MODULAR WORKBENCH

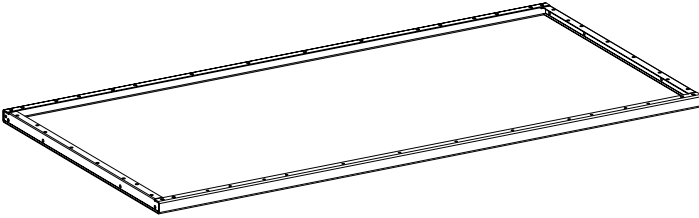
Two people are recommended for assembly. Approximate assembly time: 40-45 minutes.

Tools required: slotted screwdriver, Philips screwdriver, and $\frac{7}{16}$ " wrench or nut driver.

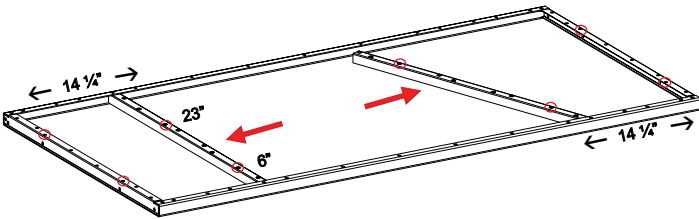
The reference numbers used throughout this sheet refer to the illustration on the back cover.

This is to help you to identify the various parts as they are mentioned.

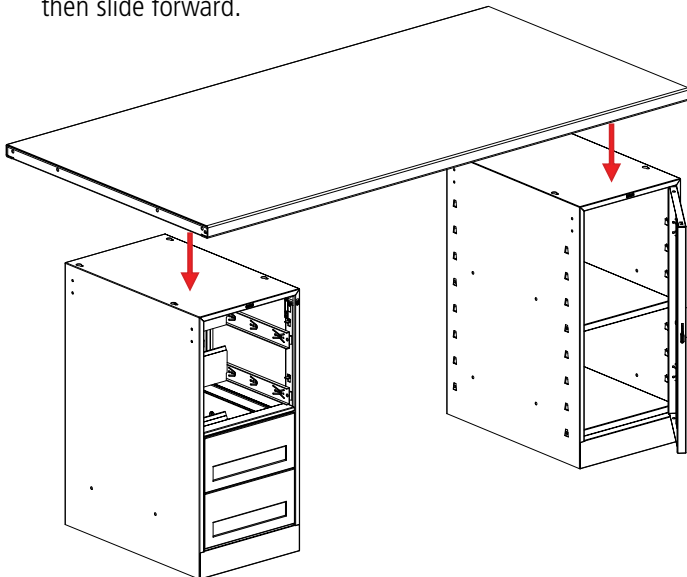
1. Lay the top (Ref. No. 1) face down on two sawhorses or a protected flat surface with the top side facing down.



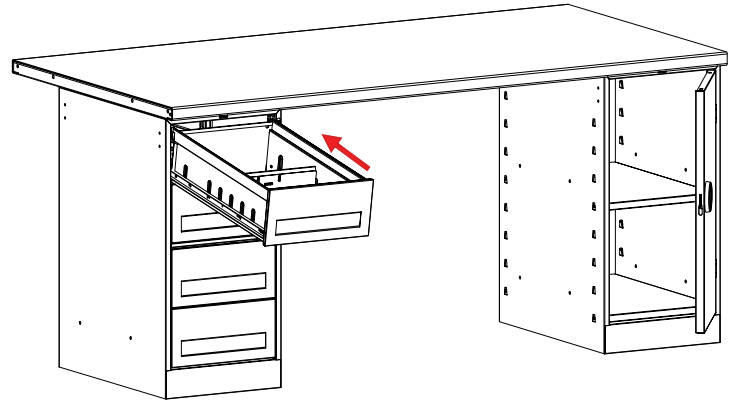
2. Bolt the two channels (Ref. No. 2), included with the steel top, to the holes in the top approximately $14\frac{1}{4}$ " from either end of the top using four $\frac{1}{4}$ "-20 x $\frac{5}{8}$ " bolts on each channel. Leave approximately $\frac{1}{8}$ " between the bolt heads and the channel. Channels should rest between the flange and the top. Insert $\frac{1}{4}$ "-20 x $\frac{5}{8}$ " bolts into the side flange of the top and channels, approximately 6" and 23" from the front edge of the top. Leave a $\frac{1}{8}$ " gap. These bolts will be used to attach the top to the drawer and/or the cabinet.



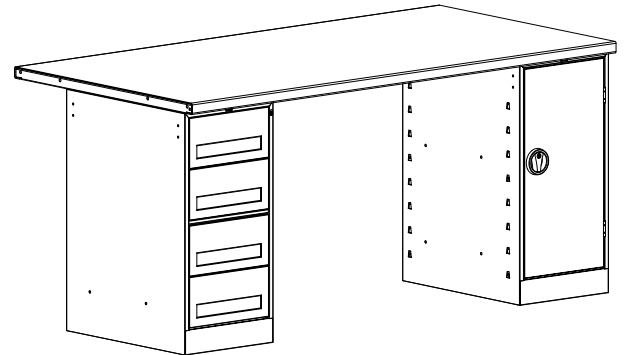
3. Remove the top two drawers and/or open the cabinet door. Place the cabinets squarely 30" apart for the 60" tops or 42" apart for the 72" tops. Set the top assembly on the cabinets with the bolt heads in the key hole slots, then slide forward.



4. Position the top so that the ends of the top are flush with the side of the cabinets, then tighten all the bolts. Replace the drawers and/or close the cabinet doors.

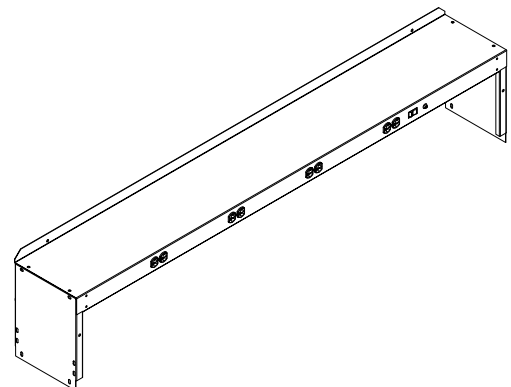


5. If you purchased only the basic modular workbench, your bench is now complete. The remaining instructions show assembly of optional accessories (such as the outlet panel, side and back rails, or risers).



Optional Riser or Electronic Riser

For assembly and installation of a riser or electronic riser, please refer to the instructions included with the riser kit.

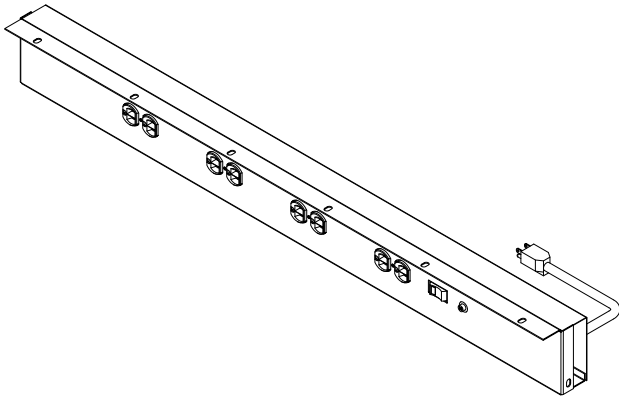


OPTIONAL ACCESSORIES

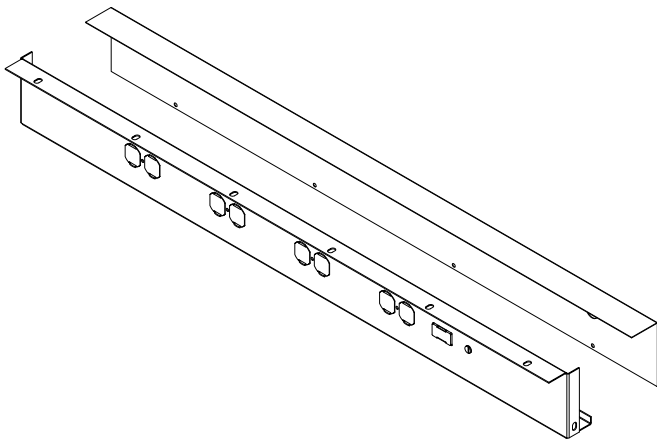
Optional Outlet Panel

1. If optional wiring kit (WK-1) was purchased, install it into outlet panel using the instructions provided with each wiring kit.

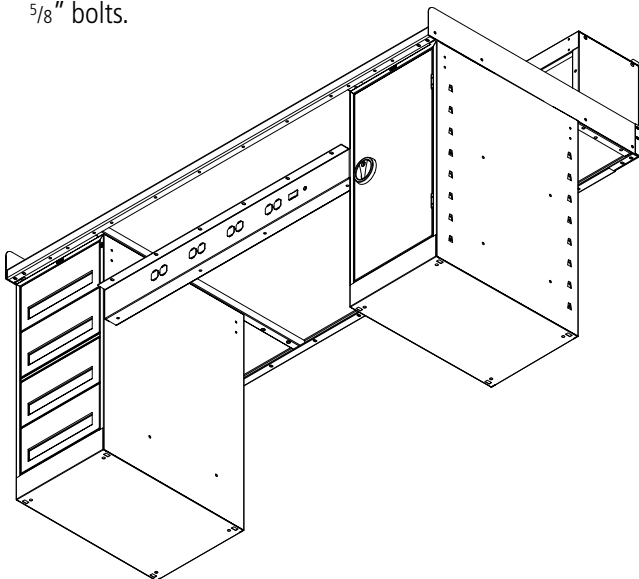
NOTE: Do NOT connect power to the unit until the entire unit is assembled completely.



2. Attach the wireway cover to the outlet panel with four #10 sheet metal screws.



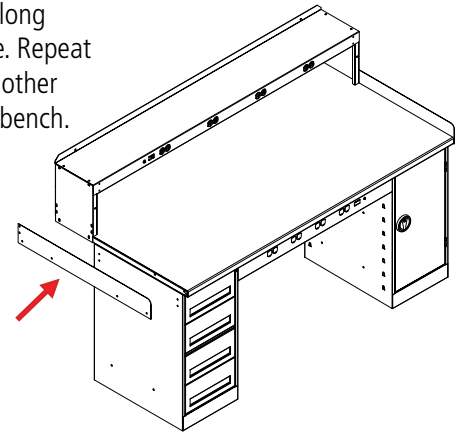
3. Place the outlet panel under the bench top and between the modular units. Position the outlet panel flange flush with the front edge of the top, aligning the holes in the flange with the holes in the top. Secure with six 1/4" -20 x 5/8" bolts.



Optional Side and Back Rails

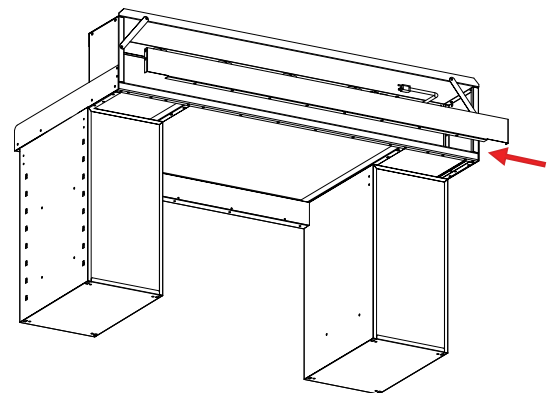
1. If you are installing the optional side and back rails, and are also installing an optional riser, the riser must be in position first. NOTE: The riser and rails share some of the same bolts and nuts. To avoid having to re-do parts of the installation, please refer to the riser instructions as you install the side and back rails.

2. Place a side rail (Ref. No. 18) on one side of the work bench top, making sure that the rounded edge is toward the front of the bench. Attach with four 1/4" -20 x 5/8" bolts and nuts along the bottom edge. Repeat this step for the other side of the workbench.

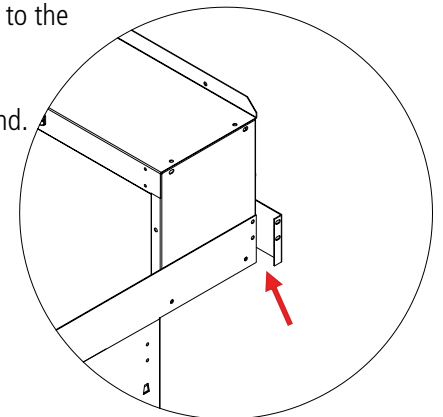


3. Attach the back rail by placing the flange of the rail under the bench top. Attach with eight 1/4" -20 x 5/8" bolts and nuts along the bottom.

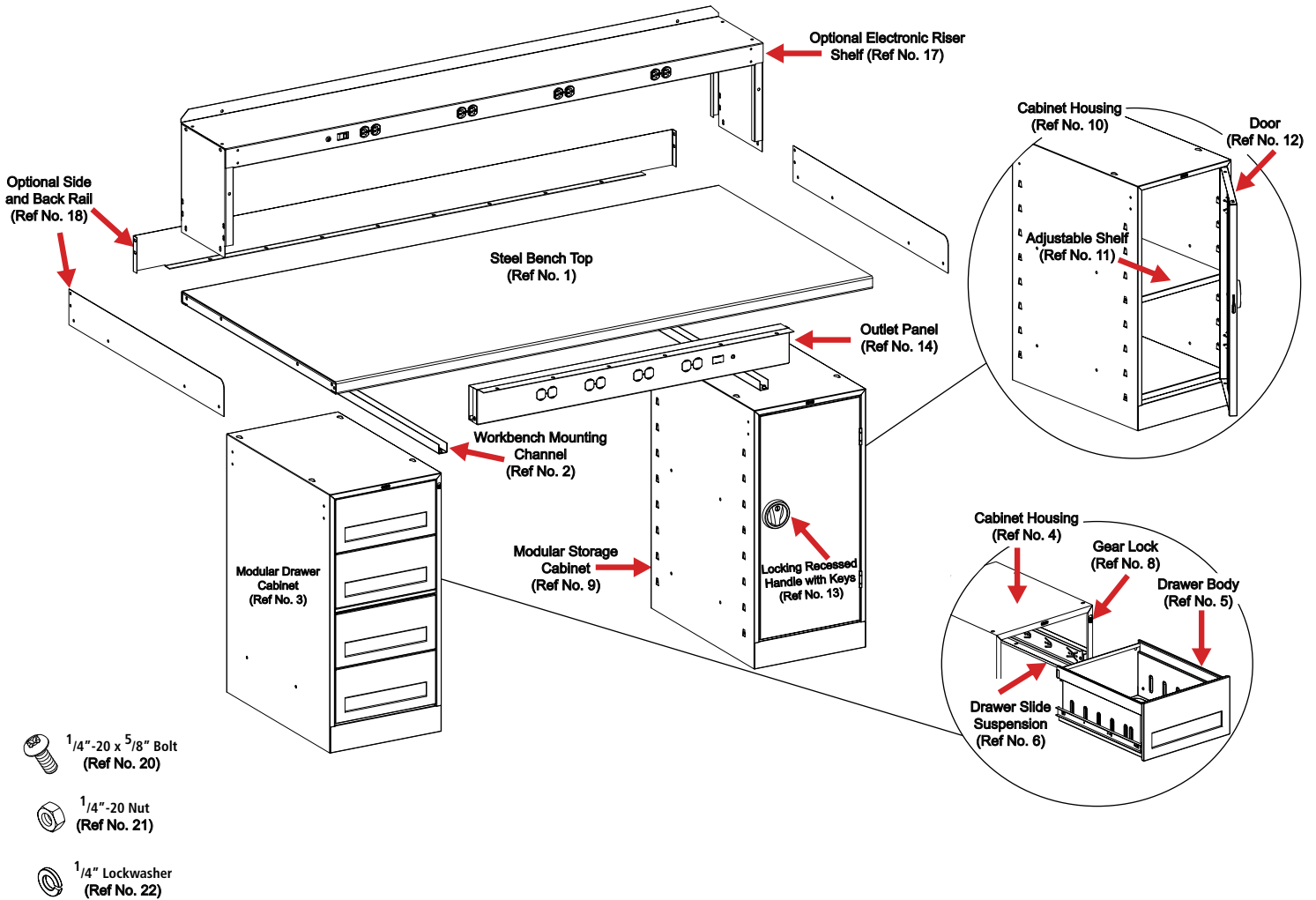
NOTE: Where there is a mounting bracket under the bench, you will first need to remove the bolt from the mounting bracket. The bolt will go through both the back rail and the mounting bracket. No nut will be needed in these locations.



4. Attach the back rail to the side rails, using two 1/4" -20 x 5/8" bolts and nuts on each end.



REPLACEMENT PARTS



REF. NO.	DESCRIPTION	QTY.	PART NUMBERS			
			60" w x 30" d	60" w x 36" d	72" w x 30" d	72" w x 36" d
1	Steel Bench Top	1	G-T-3060	G-T-3660	G-T-3072	G-T-3672
2	Workbench Mounting Channel (pair)	1	WBMC-30	WBMC-36	WBMC-30	WBMC-36
3	Modular Drawer Cabinet	1 or 2	MD-1524	MD-1524	MD-1524	MD-1524
4	*Cabinet Housing	1	257DH	257DH	257DH	257DH
5	*Drawer Body	1	257DW	257DW	257DW	257DW
6	*Drawer Slide Suspension	1	SUSP-22	SUSP-22	SUSP-22	SUSP-22
7	*Drawer Divider (not shown)	1	WBD-12	WBD-12	WBD-12	WBD-12
8	*Gear Lock	1	257GL	257GL	257GL	257GL
9	Modular Storage Cabinet	1 or 2	MS-1524	MS-1524	MS-1524	MS-1524
10	*Cabinet Housing	1	256CH	256CH	256CH	256CH
11	*Adjustable Shelf	1	256S	256S	256S	256S
12	*Door	1	256D	256D	256D	256D
13	*Locking Handle with Keys	1	RH-1	RH-1	RH-1	RH-1

REF. NO.	DESCRIPTION	QTY.	PART NUMBERS			
			60" w x 30" d	60" w x 36" d	72" w x 30" d	72" w x 36" d
14	Outlet Panel	1	WOP-42	WOP-42	WOP-42	WOP-42
15	Lower Shelf (not shown)	1	SM-42	SM-42	SM-42	SM-42
16	Standard Riser (not shown)	1	R-1060	R-1060	R-1072	R-1072
17	Electronic Riser	1	RE-1060	RE-1060	RE-1072	RE-1072
18	Side and Back Rail	1	SB-3060	SB-3660	SB-3072	SB-3672
19	Wiring Kit (sold separately)	--	WK-1	WK-1	WK-1	WK-1
20	1/4"-20 x 5/8" Bolt	--	**	**	**	**
21	1/4"-20 Nut	--	**	**	**	**
22	1/4" Lockwasher	--	**	**	**	**
23	#10 x 1/2" Sheetmetal Screw (not shown)	--	**	**	**	**

*Included in Ref. No. 3 or 9, Modular Cabinets (Part Nos. MD-1524 and MS-1524).

** Available Locally

NOTE: Additional hardware may be included for replacement purposes.

Tennsco makes every effort to ensure that all units ship complete with all parts and arrive undamaged. However, should your unit contain missing or damaged parts, please contact your purchase location.