

ASSEMBLY INSTRUCTIONS & PARTS MANUAL

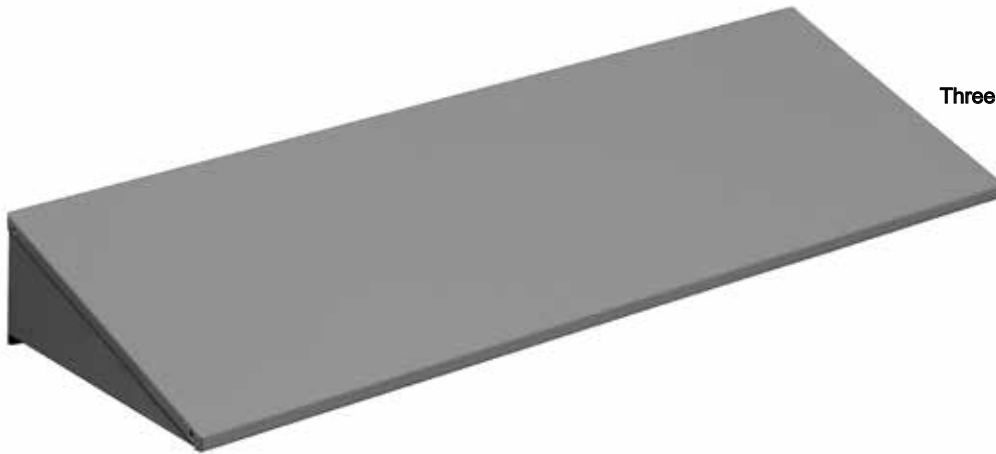


Locker Sloping Tops

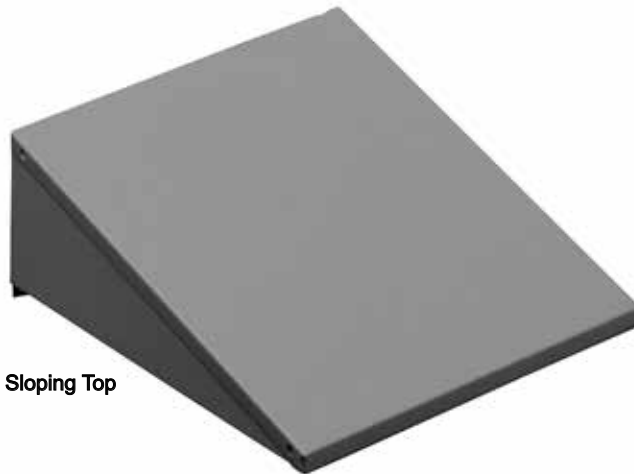
1-Wide Models: KST-1212, -1215, -1218, -1518, -1521, -1821 & -2424

3-Wide Models: KST-3612, -3615, -3618, -4518, & -4521

RETAIN INSTRUCTIONS FOR FUTURE REFERENCE



Three Wide Sloping Top



One Wide Sloping Top

GENERAL SAFETY INFORMATION

Some parts may have sharp edges. CARE must be taken when handling various pieces to avoid injury. For safety, wear a pair of work gloves when assembling or performing any maintenance on units.

LIMITED WARRANTY

Tennsco warrants goods purchased hereunder to be free of defects in materials and workmanship for a period of one (1) year from the date of shipment, hereunder. This warranty shall not apply in the event goods are damaged as a result of misuse, abuse, neglect, accident, improper application, modification or repair by persons not authorized by Seller, where goods are damaged during shipment, or where the date stamps on the goods have been defaced, modified or removed. UNLESS CONSIDERED UNENFORCEABLE OR UNLAWFUL UNDER APPLICABLE LAW:

- a. ALL IMPLIED WARRANTIES, INCLUDING BUT NOT LIMITED TO WARRANTIES OR MERCHANTABILITY AND FITNESS FOR A PARTICULAR PURPOSE ARE HEREBY EXCLUDED:
- b. BUYERS REMEDY, IF ANY, FOR ANY DEFECTIVE GOODS SHALL BE LIMITED TO A REFUND BY SELLER OR REPLACEMENT OF THE GOODS AT SELLER'S OPTION, AND SHALL IN NO EVENT INCLUDE DAMAGES OF ANY KIND, WHETHER INCIDENTAL, CONSEQUENTIAL OR OTHERWISE.

NO GOODS ACCEPTED FOR RETURN WITHOUT PRIOR APPROVAL. Seller shall have the right to inspect any goods claimed to be defective at Buyers place of business or require Buyer to return the goods to Seller for inspection on Seller's premises. Transportation charges covering returned goods will be borne by Seller only if such goods are proven to be defective, are covered by this warranty and are returned within the warranty period stated above.



PROUDLY MADE IN THE U.S.A.

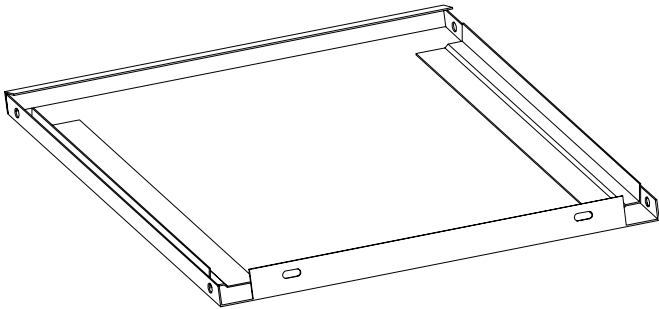
Tennsco LLC., Dickson, TN 37056-1888 • (866) 446-8686

LOCKER SLOPING TOP INSTALLATION INSTRUCTIONS

Tools Needed: An electric drill with $\frac{3}{16}$ " drill bit, slotted screwdriver, and $\frac{1}{32}$ " nut driver or socket.
Approximate assembly time for sloping tops: 5-10 minutes.

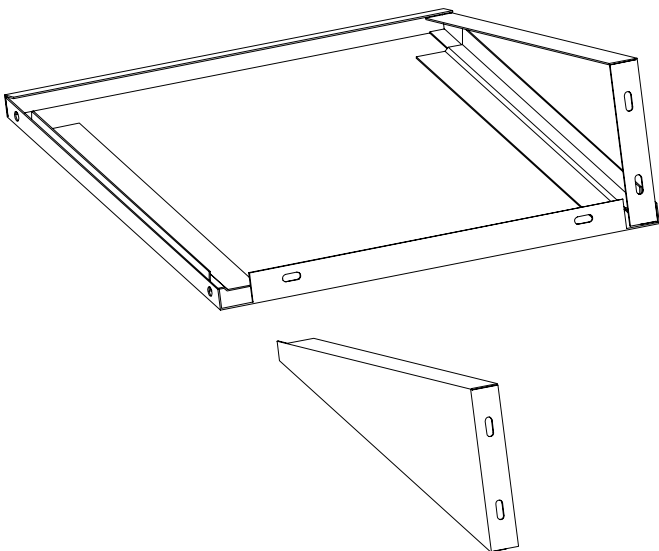
1. The reference numbers used throughout this sheet refer to the illustration on the back cover. This is to help you to identify the various parts as they are mentioned. Carefully compare the parts you received with the instruction sheet.

2. Place the top plate (Ref. No. 1) upside down on a flat, smooth surface.



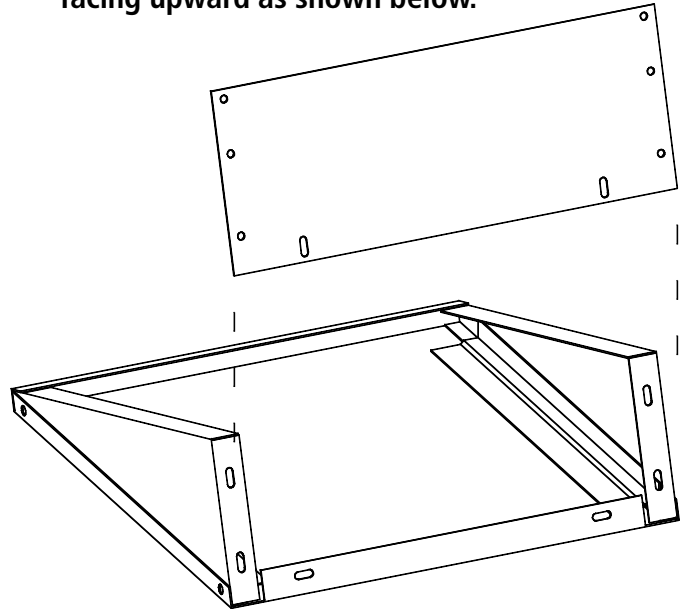
3. Slide the right and left side plates (Ref. No. 2) into the front retaining strips of the top plate.

NOTE: If the flange on the side plates does not fit into the retaining strips, you have the side plates upside down.

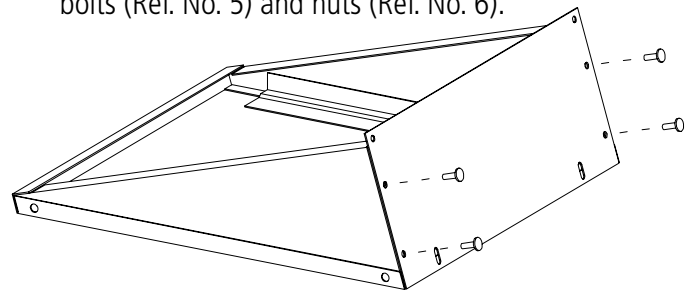


4. Place the back plate (Ref. No. 3) against the flanges on the outside of the top and sides.

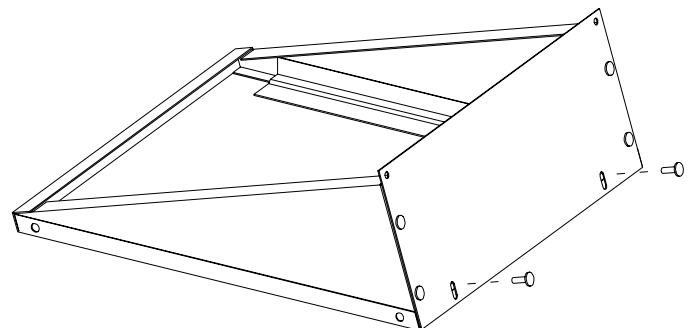
NOTE: the small round holes which are very near the edge on the back plate should be facing upward as shown below.



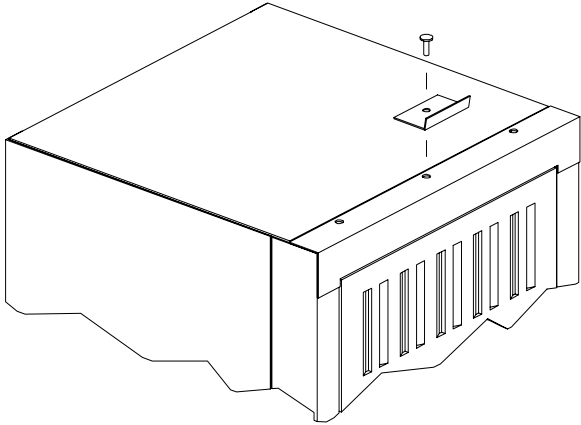
5. Fasten the back to the sides with four #8-32 x $\frac{1}{2}$ " bolts (Ref. No. 5) and nuts (Ref. No. 6).



6. Fasten the back to the top along the return bend using two #8-32 x $\frac{1}{2}$ " bolts and nuts on a single wide unit, or four #8-32 x $\frac{1}{2}$ " bolts and nuts on a three wide unit.

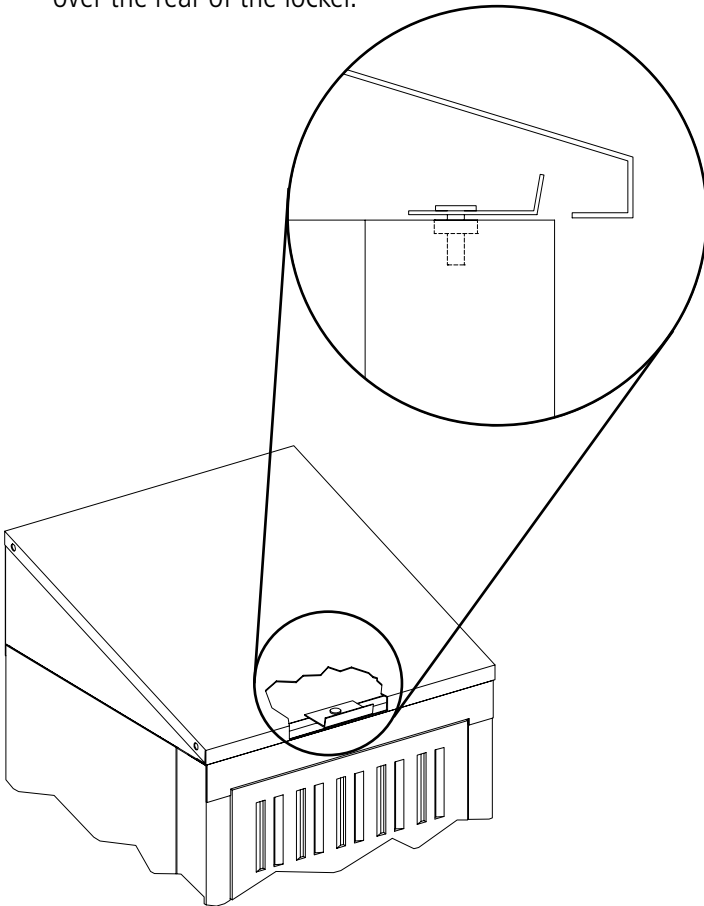


- 7.** The sloping top assembly should now be a firm structure and is ready to attach to the top of the locker as described in step 8.
- 8.** Install retaining clip (Ref. No. 4) to the locker, using one #8-32 x 1/2" bolt and nut in the existing hole on top of the locker. For single wide tops, attach just one clip; for three wide tops, use two clips. Do not tighten yet.

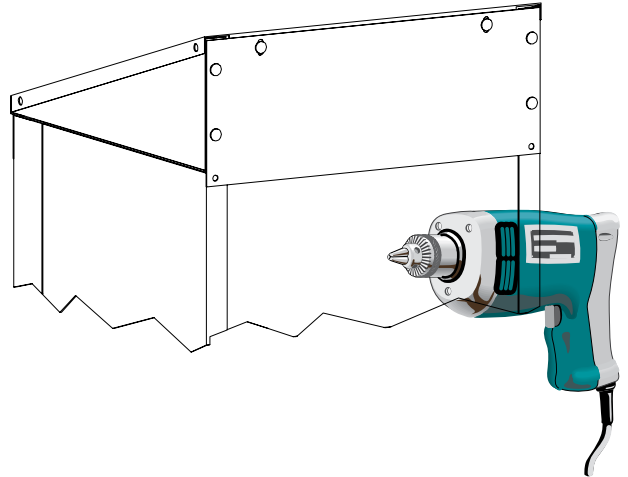


NOTE: On some locker units, the existing hole may contain a rivet. If so, use a drill with a 3/16" bit to remove the rivet before installing the clips.

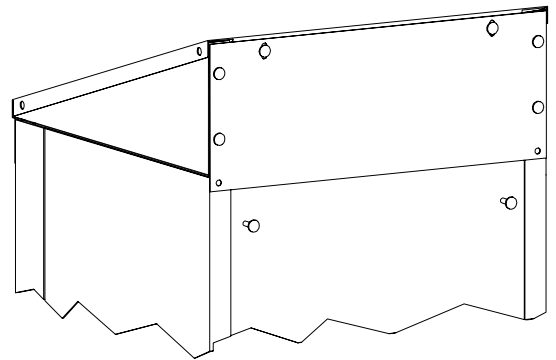
- 9.** Slip the front edge of the sloping top under the retaining clip, and let the back of the sloping top extend over the rear of the locker.



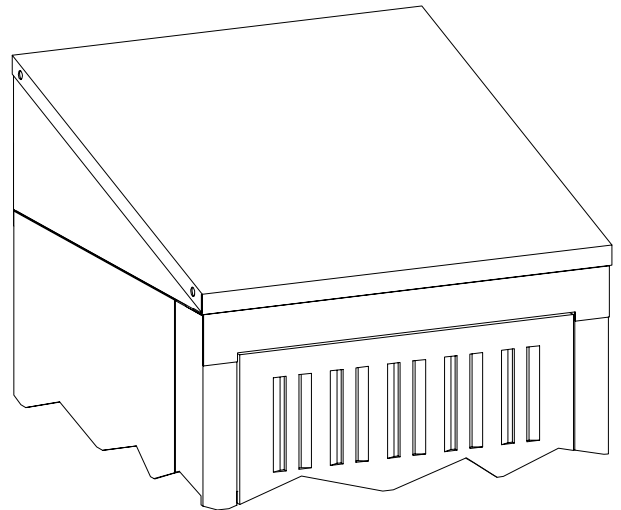
- 10.** Using a drill and 3/16" bit, drill two holes through the holes in the back plate and into the rear of the locker.



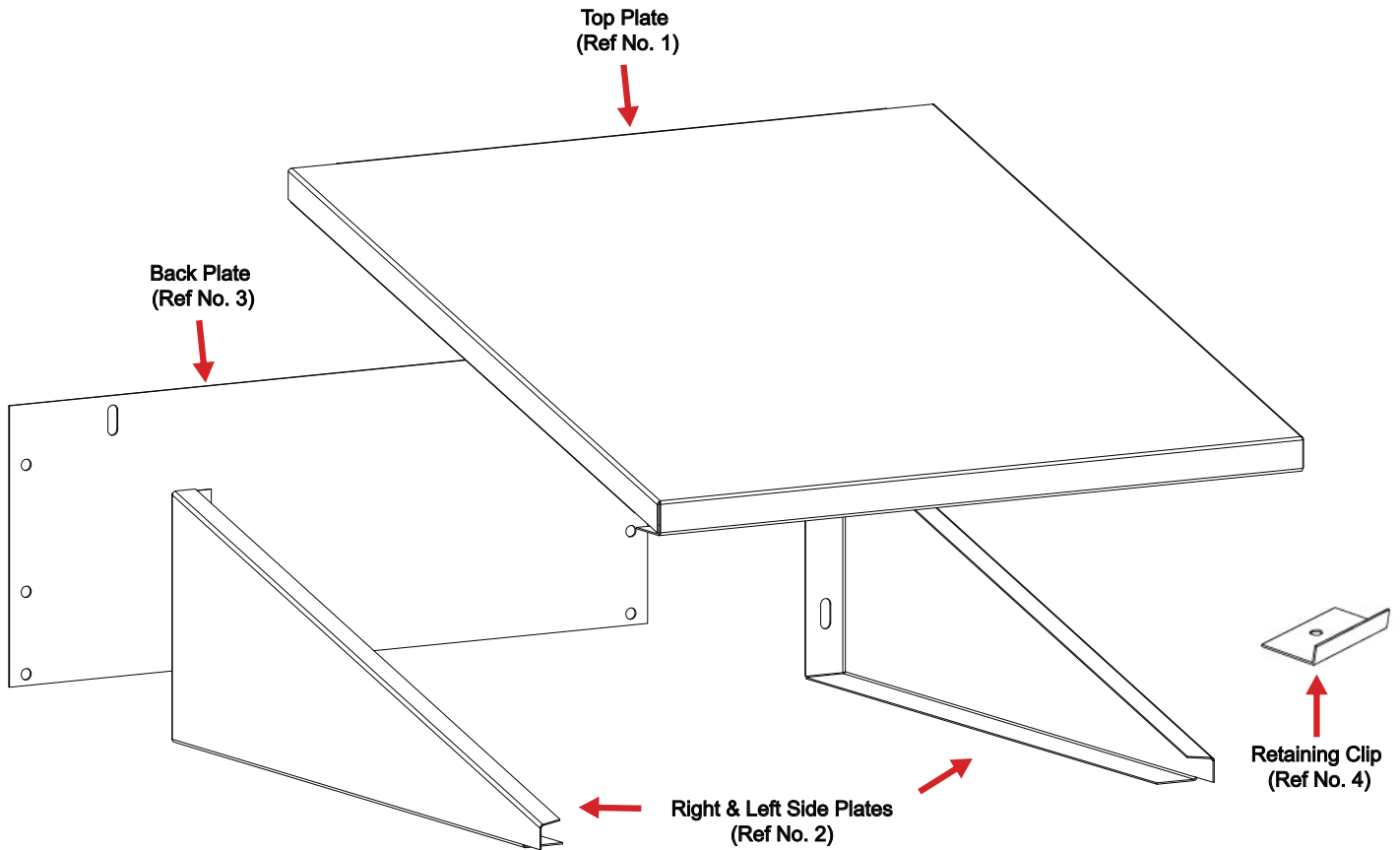
- 11.** Install #8-32 x 1/2" bolts and nuts in the holes you just drilled.



- 12.** Tighten all hardware. Don't forget to tighten the nut under each retaining clip. Your sloping top is now installed.



REPLACEMENT PARTS



REF. NO.	DESCRIPTION	PART NUMBERS	QTY.	
			1-WIDE	3-WIDE
1	Top Plate	KSTT-wwdd	1	1
2	Right & Left Side Plates (pair)	KST-dd	1	1
3	Back Plate	KST-ww	1	1
4	Retaining Clip*	15B2349	1	2
5	8-32 x 1/2" Bolts (not shown)*	--	9	14
6	8-32 x 1/2" Nuts (not shown)*	--	9	14

*These items included in hardware kits. HWKST-1 for single wide or HWKST-3 for three wide.

Part numbers are composed of the prefix shown, followed by the combination of the width (ww) and/or depth (dd) of the locker for which the sloping top is intended. For example, a top for an STS-151812-3 (three wide locker) would be Part No. KST-4518.

Tennsco makes every effort to ensure that all units ship complete with all parts and arrive undamaged. However, should your unit contain missing or damaged parts, please contact your purchase location.