

**Sixteen Person Unassembled
Locker Units With or Without Legs**

RETAIN INSTRUCTIONS FOR FUTURE REFERENCE

.....



GENERAL SAFETY INFORMATION

Some parts may have sharp edges. CARE must be taken when handling various pieces to avoid injury. For safety, wear a pair of work gloves when assembling or performing any maintenance on units.

.....

LIMITED WARRANTY

Tennsco warrants goods purchased hereunder to be free of defects in materials and workmanship for a period of one (1) year from the date of shipment, hereunder. This warranty shall not apply in the event goods are damaged as a result of misuse, abuse, neglect, accident, improper application, modification or repair by persons not authorized by Seller, where goods are damaged during shipment, or where the date stamps on the goods have been defaced, modified or removed. UNLESS CONSIDERED UNENFORCEABLE OR UNLAWFUL UNDER APPLICABLE LAW:

- a. ALL IMPLIED WARRANTIES, INCLUDING BUT NOT LIMITED TO WARRANTIES OR MERCHANTABILITY AND FITNESS FOR A PARTICULAR PURPOSE ARE HEREBY EXCLUDED:
- b. BUYERS REMEDY, IF ANY, FOR ANY DEFECTIVE GOODS SHALL BE LIMITED TO A REFUND BY SELLER OR REPLACEMENT OF THE GOODS AT SELLER'S OPTION, AND SHALL IN NO EVENT INCLUDE DAMAGES OF ANY KIND, WHETHER INCIDENTAL, CONSEQUENTIAL OR OTHERWISE.

NO GOODS ACCEPTED FOR RETURN WITHOUT PRIOR APPROVAL. Seller shall have the right to inspect any goods claimed to be defective at Buyers place of business or require Buyer to return the goods to Seller for inspection on Seller's premises. Transportation charges covering returned goods will be borne by Seller only if such goods are proven to be defective, are covered by this warranty and are returned within the warranty period stated above.

.....



PROUDLY MADE IN THE U.S.A.

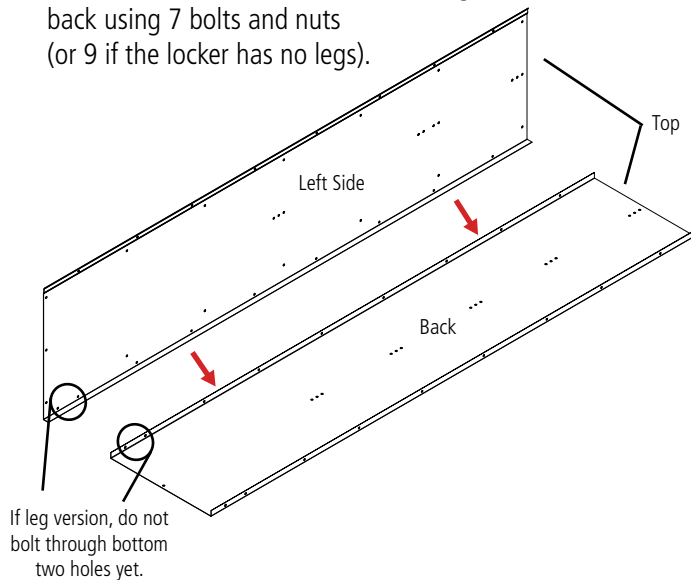
Tennsco LLC., Dickson, TN 37056-1888 • (866) 446-8686

ASSEMBLY OF 16 PERSON LOCKER UNITS

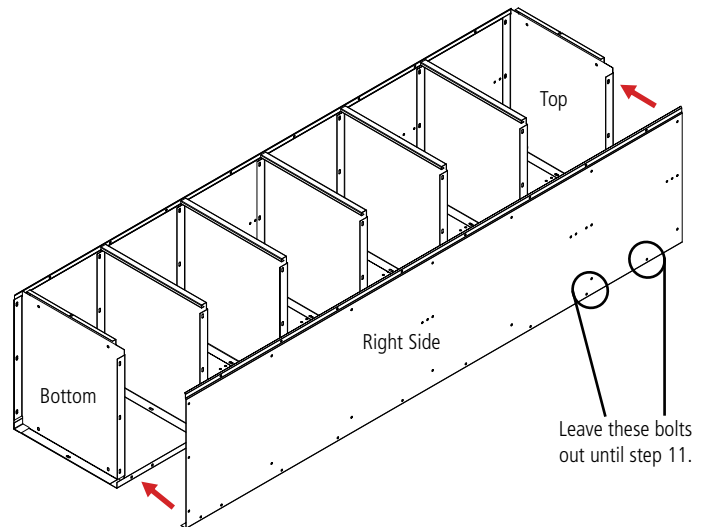
Tools Needed: A provided 11/32" nut driver (11/32" socket may be substituted).

Two people are recommended for assembly. Approximate assembly time: 40-50 minutes.

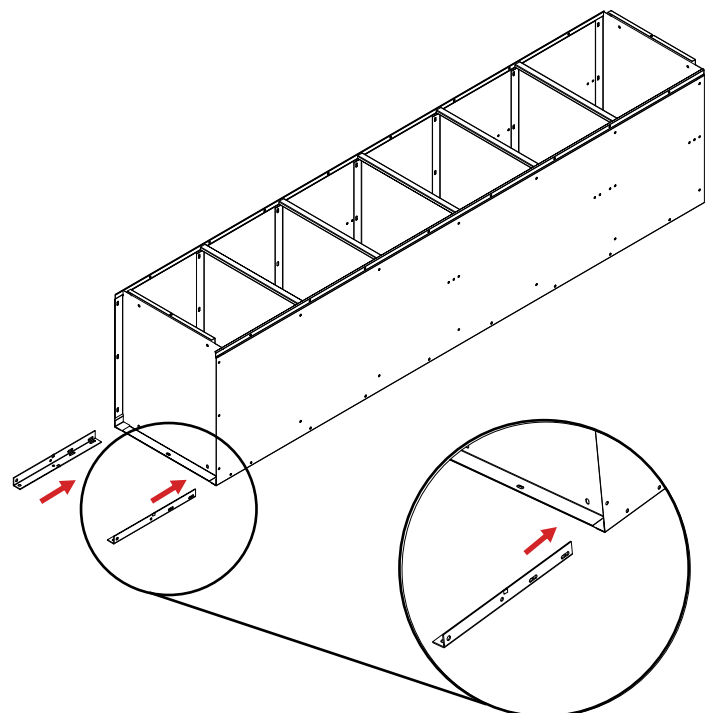
1. The reference numbers used throughout this sheet refer to the illustration on the back cover. This is to help you to identify the various parts as they are mentioned.
2. Unpack all the parts then locate the left and right hand sides and separate them. The top of the sides and back can be determined by the three holes closest to the end of the part.
3. Place back (Ref. No. 1) on a protected flat surface so that the flanges face upward. If available, place the unit on a pair of saw horses for easier installation. Bolt the left side (Ref. No. 2) to the back so that the side flange fits around the back using 7 bolts and nuts (or 9 if the locker has no legs).



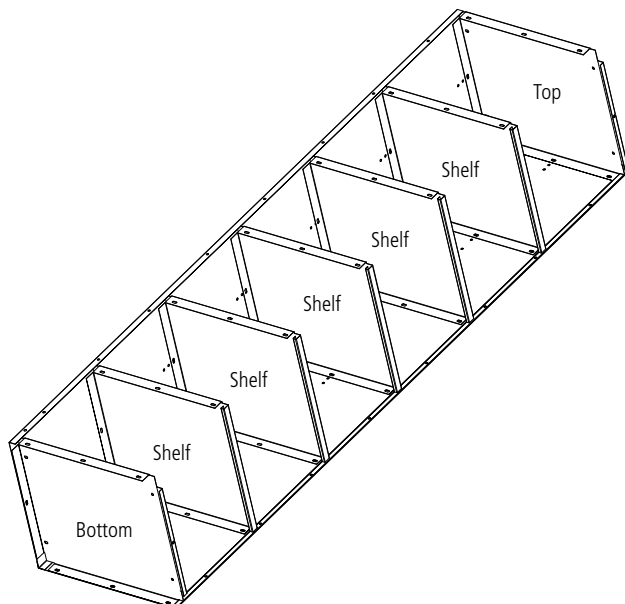
5. Bolt the right side (Ref. No. 6) to the back so that the side flange fits around the back. Attach the top, bottom and shelves. Use 21 bolts and nuts for a locker without legs.



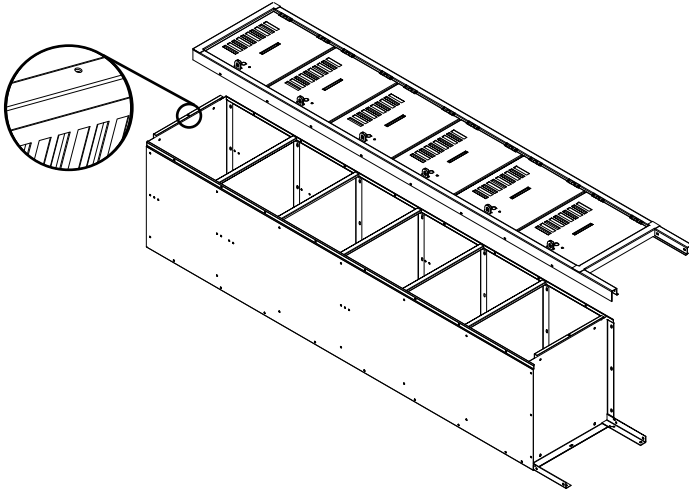
6. If the locker has legs, insert the leg into the corner between the bottom and the side. Bolt the leg to the side using two bolts and nuts.



4. Bolt the shelves (Ref. No. 4) to the back and the side. Attach the top and the bottom (Ref. No. 5) using 4 bolts and nuts each as shown. The bottom for the vertical portions are different from the bottom for the horizontal portion.

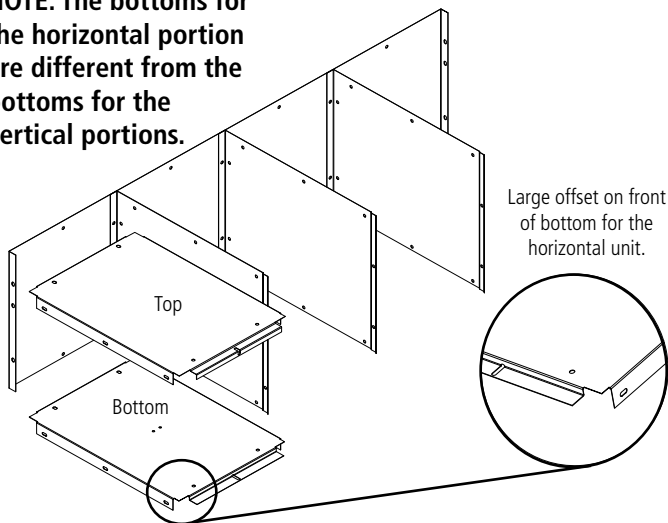


- 7.** Place the frame and door assembly (Ref. No. 7 & 8) over the locker body. Make certain that the bodies sides are inside the frames. Attach the top to the frame header and bottom to frame sill (1 bolt each). Do not put all the bolts in the frame until step 11. Assemble both vertical sections before going onto step 8.

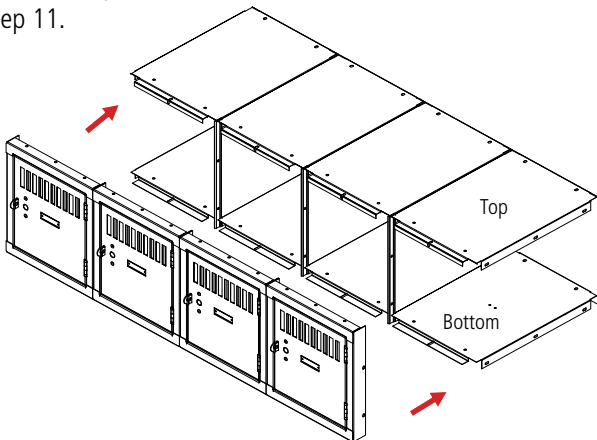


- 8.** For the horizontal portion, bolt the three left hand sides (Ref. No. 14) to the back panel (Ref. No. 15). Then, bolt the four tops (Ref. No. 5) and four bottoms (Ref. No. 13) to the side panel.

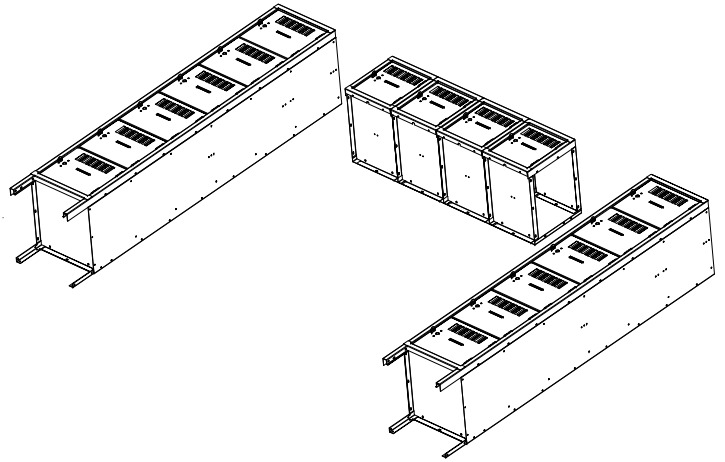
NOTE: The bottoms for the horizontal portion are different from the bottoms for the vertical portions.



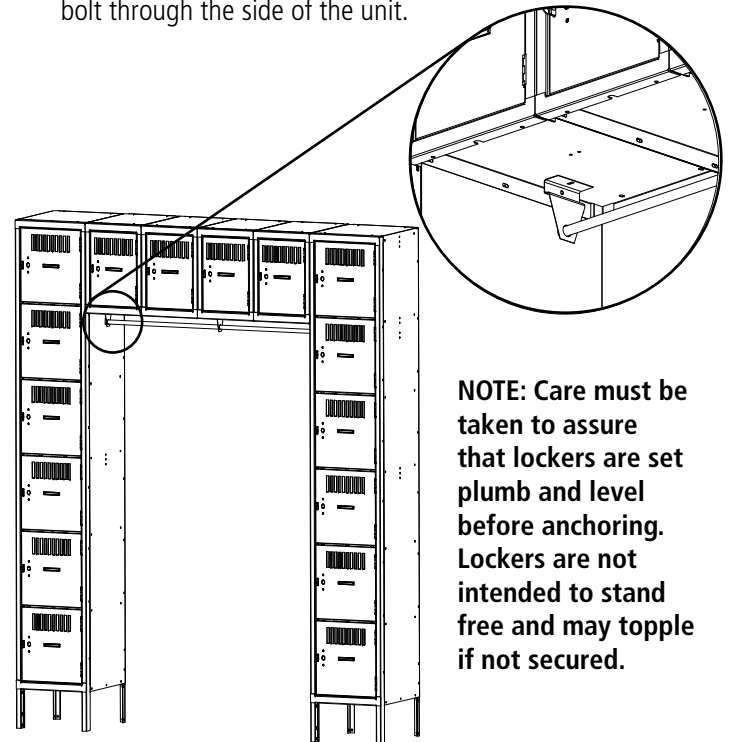
- 9.** Bolt the frame assembly to the top and bottom first by using four bolts. After the frame assembly is attached to the top and bottom, bolt the frame assembly (left to right) bolting through the holes in the frame assembly. Leave two bolt holes open on outside of the frame assembly. These holes are needed to attach to the end units in step 11.



- 10.** Attach the horizontal section frame and side on both ends to the frame and side of the vertical units. Now finish bolting the frame to the body assembly on the vertical units.



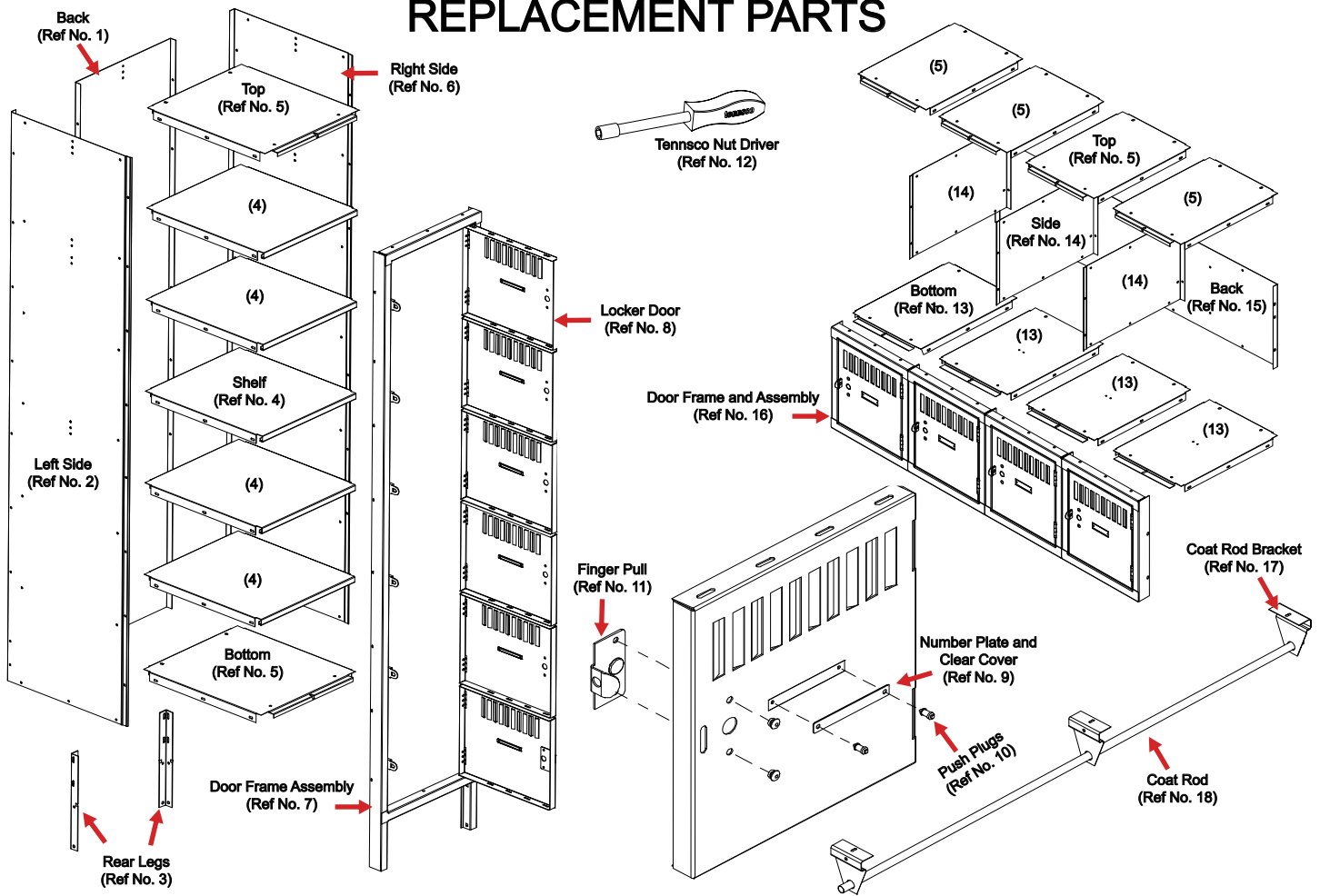
- 11.** After attaching horizontal section to vertical outer units, with help from another person or two, stand the unit upright. Now slide hangers over the coat rod and bolt the hangers under the middle section as shown. The outer hangers will bolt through the side of the unit.



NOTE: Care must be taken to assure that lockers are set plumb and level before anchoring. Lockers are not intended to stand free and may topple if not secured.

- 12.** Anchor unit to the wall or floor. Units standing back to back should be bolted together.
- 13.** If units are not pre-numbered, optional number plates and plastic covers (Ref. No. 11) may be attached using push plugs (Ref. No. 12). Tennsco name plate (Ref. No. 20) is installed at the factory. As an alternative, custom number or name plates may be ordered from the factory. Your locker is complete.
- 14.** If additional accessories were purchased such as End Bases/ Front Bases (for lockers with legs), Closed Bases (for lockers without legs), Slopping Tops, and/or Combination Locks or Grooved Key Locks, please see the instructions that came along with those parts.

REPLACEMENT PARTS



REF. NO.	DESCRIPTION	PART NO.	QTY.
1	Back	LSTB-1272	2
2	Left Side	LBSL-1872	2
3	Rear Leg (leg version unit only)	LRL-1	4
4	Shelf	ESL-1218	10
5	Top/Bottom	LTB-1218	8
6	Right Side	LBSR-1872	2
7	Door Frame Assembly	LBFA-1272-x	2
8	Locker Door	LBD-1212	16
9	Paper Number Plate and Clear Cover*	LNP-3CP	16
10	Push Plug*	LPP-1	32
11	Finger Pull	LFP-1	16
12	Tensco Nut Driver*	TOOL-2	1
13	Bottom for Horizontal Section	LTB-BS1	4
14	Partition/Side for Horizontal Section	LBPL-1812	3
15	Back for Horizontal Section	LBB-4812	1
16	Door Frame Assembly for Horizontal Section	LBFA-12124	1
17	Coat Rod Bracket	LCRB-1	3
18	Coat Rod	LCR-48	1
19	Bolts and Nuts #8-32 x 1/2" (not shown)*	**	206

*These items are included in the hardware pack enclosed (Part No.: HWSRD1).

** Available Locally

Part No. is composed of prefix shown plus combination of opening or unit. Width = ww and Depth = dd.

Door Frame assemblies require a further suffix (x) of either 1 or A. "1" indicates frame with legs; "A" indicates frame without legs. For example: A door frame assembly for locker SRK-721878-1 (with legs) would be Part No. LBFA-1272-1. The door assembly alone without the frame for the same locker would be Part No. LBD-1212.

NOTE: Additional hardware may be included for replacement purposes.

Tensco makes every effort to ensure that all units ship complete with all parts and arrive undamaged. However, should your unit contain missing or damaged parts, please contact your purchase location.