



# CASTER KIT FOR STORAGE CABINETS

Model Nos. CK18, CK24, CK-4818, and CK-4824

Tennsco Corp., Dickson, TN 37056-1888 • (615) 446-8000

## RETAIN INSTRUCTIONS FOR FUTURE REFERENCE!



Congratulations on your purchase of a Tennsco Caster Kit! Tennsco's caster kits come standard with four swivel casters, including two with locking wheels to stabilize the unit. Tennsco offers caster kits in four sizes, to fit our full line of Storage Cabinets and Jumbo Storage Cabinets. And our

durable and attractive powder-coated paint finish will provide years of service.

### Sizes available

- CK18 .....fits 36"w x 18"d cabinets
- CK24 .....fits 36"w x 24"d cabinets
- CK-4818 .....fits 48"w x 18"d cabinets
- CK-4824 .....fits 48"w x 24"d cabinets

**GENERAL SAFETY INFORMATION:** Some parts may have sharp edges. CARE must be taken when handling various pieces to avoid injury. For safety, wear a pair of work gloves when assembling or performing any maintenance on your caster kit or storage cabinet.

### LIMITED WARRANTY

Tennsco warrants goods purchased hereunder to be free of defects in materials and workmanship for a period of one (1) year from the date of shipment, hereunder. This warranty shall not apply in the event goods are damaged as a result of misuse, abuse, neglect, accident, improper application, modification or repair by persons not authorized by Seller, where goods are damaged during shipment, or where the date stamps on the goods have been defaced, modified or removed. UNLESS CONSIDERED UNENFORCEABLE OR UNLAWFUL UNDER APPLICABLE LAW:

- a. ALL IMPLIED WARRANTIES, INCLUDING BUT NOT LIMITED TO WARRANTIES OR MERCHANTABILITY AND FITNESS FOR A PARTICULAR PURPOSE ARE HEREBY EXCLUDED:
- b. BUYERS REMEDY, IF ANY, FOR ANY DEFECTIVE GOODS SHALL BE LIMITED TO A REFUND BY SELLER OR REPLACEMENT OF THE GOODS AT SELLER'S OPTION, AND SHALL IN NO EVENT INCLUDE DAMAGES OF ANY KIND, WHETHER INCIDENTAL, CONSEQUENTIAL OR OTHERWISE.

NO GOODS ACCEPTED FOR RETURN WITHOUT PRIOR APPROVAL. Seller shall have the right to inspect any goods claimed to be defective at Buyers place of business or require Buyer to return the goods to Seller for inspection on Seller's premises. Transportation charges covering returned goods will be borne by Seller only if such goods are proven to be defective, are covered by this warranty and are returned within the warranty period stated above.

TENNSCO Corp.  
P.O. BOX 1888  
DICKSON, TN 37056-1888  
(615) 446-8000 or (866) 446-8686 (toll free)  
Website: [www.tennsco.com](http://www.tennsco.com) E-mail: [Info@tennsco.com](mailto:Info@tennsco.com)

# Step By Step Installation Instructions

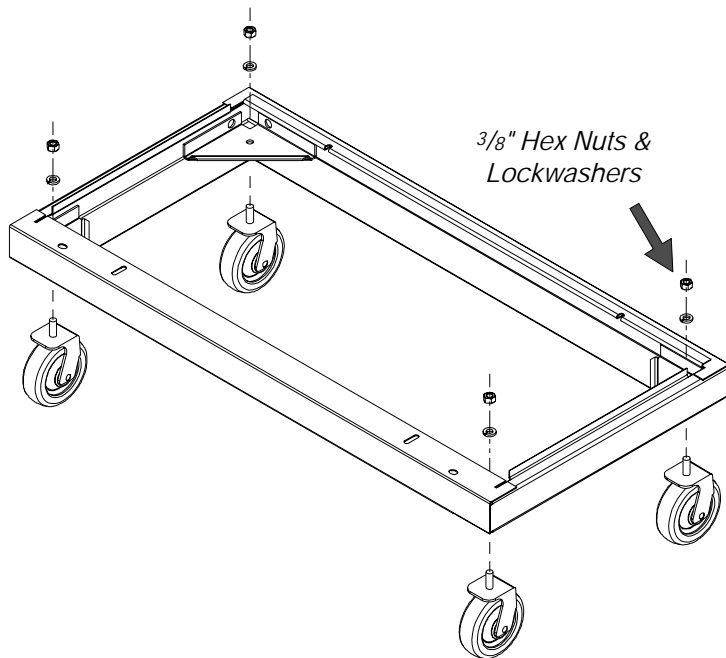
Tools required: a 9/16" wrench or nut driver and two 1/2" wrenches or nutdrivers. Two people recommended when setting storage cabinet upright after casters are attached. Assembly Time: ten to fifteen minutes.

1. Before beginning assembly, compare the parts you have received against the parts list on the front of this sheet to ensure that you have all the necessary pieces.

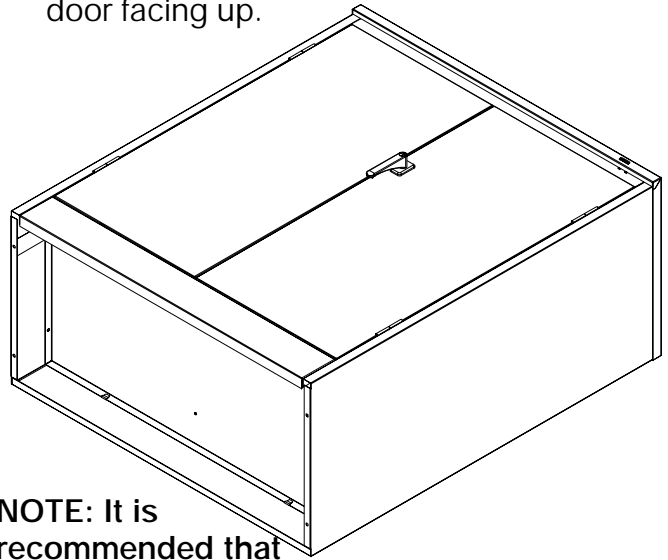
2. As you prepare to attach the casters, take some time to consider where you want to place the two swivel casters with brakes. If the cabinet will be placed against the wall, we recommend placing the braking casters along the front of the base.

3. Attach two swivel casters (Ref. No. 2) and two braking swivel casters (Ref. No. 3) to the caster frame (Ref. No. 1), using the nuts and washers provided (Ref. Nos. 6 and 7). Use a 9/16" wrench to tighten the casters securely.

**NOTE: All casters must be tight for unit to work properly.**

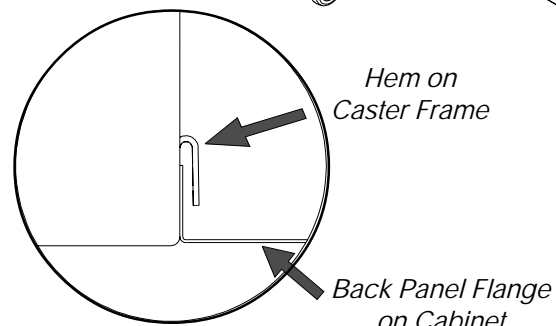
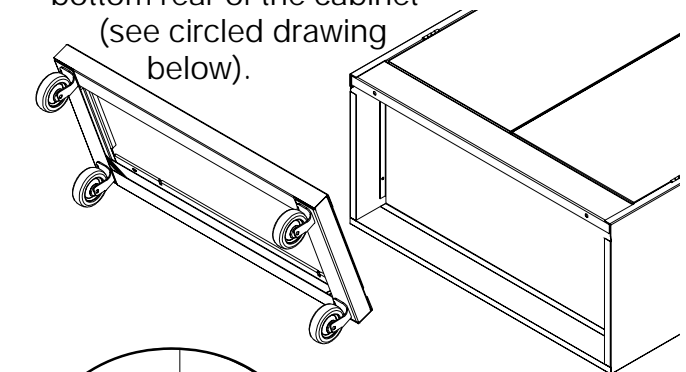


4. After making sure that the cabinet is unloaded, lay the cabinet on the floor with the door facing up.

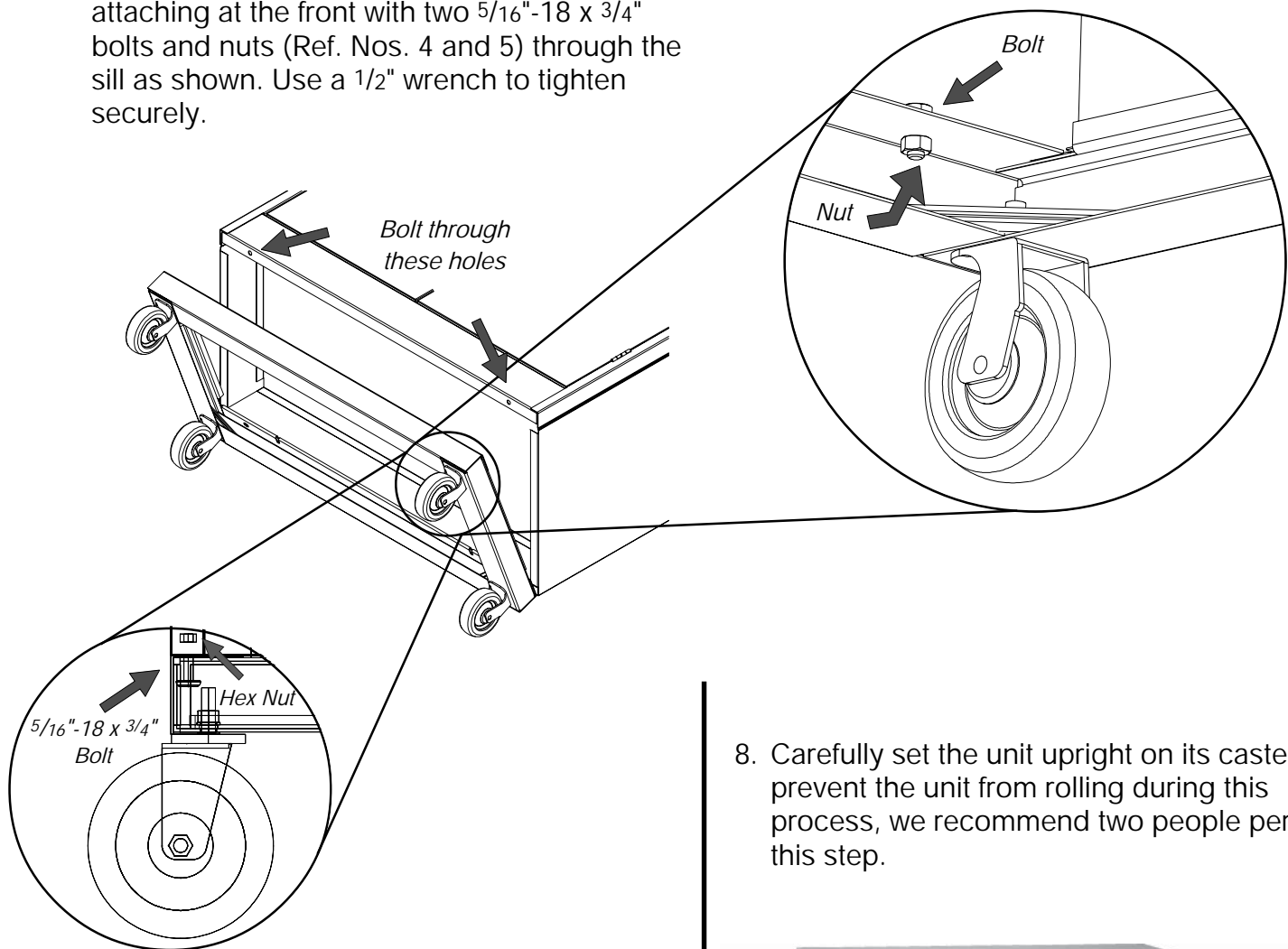


**NOTE: It is recommended that the bottom of the cabinet is a minimum of 1/2" off the floor, in order to more easily attach the caster kit to the unit.**

5. Position the caster kit frame on the bottom of the cabinet. The back of the caster kit has a "hem" that will fit over the flange at the bottom rear of the cabinet (see circled drawing below).

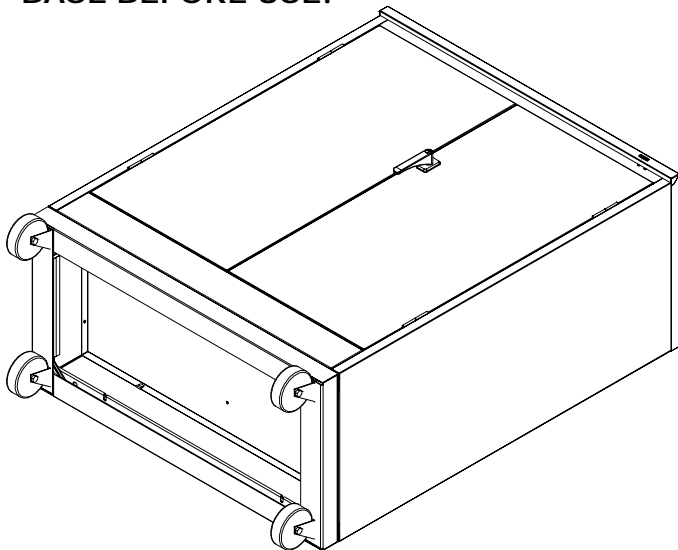


6. Secure the cabinet to the caster kit frame by attaching at the front with two  $\frac{5}{16}$ "-18 x  $\frac{3}{4}$ " bolts and nuts (Ref. Nos. 4 and 5) through the sill as shown. Use a  $\frac{1}{2}$ " wrench to tighten securely.



7. Before setting the storage cabinet upright, be sure that all bolts and nuts are tight and that the frame is secure.

**THE CASTER KIT FRAME MUST BE SECURELY MOUNTED TO THE CABINET BASE BEFORE USE!**

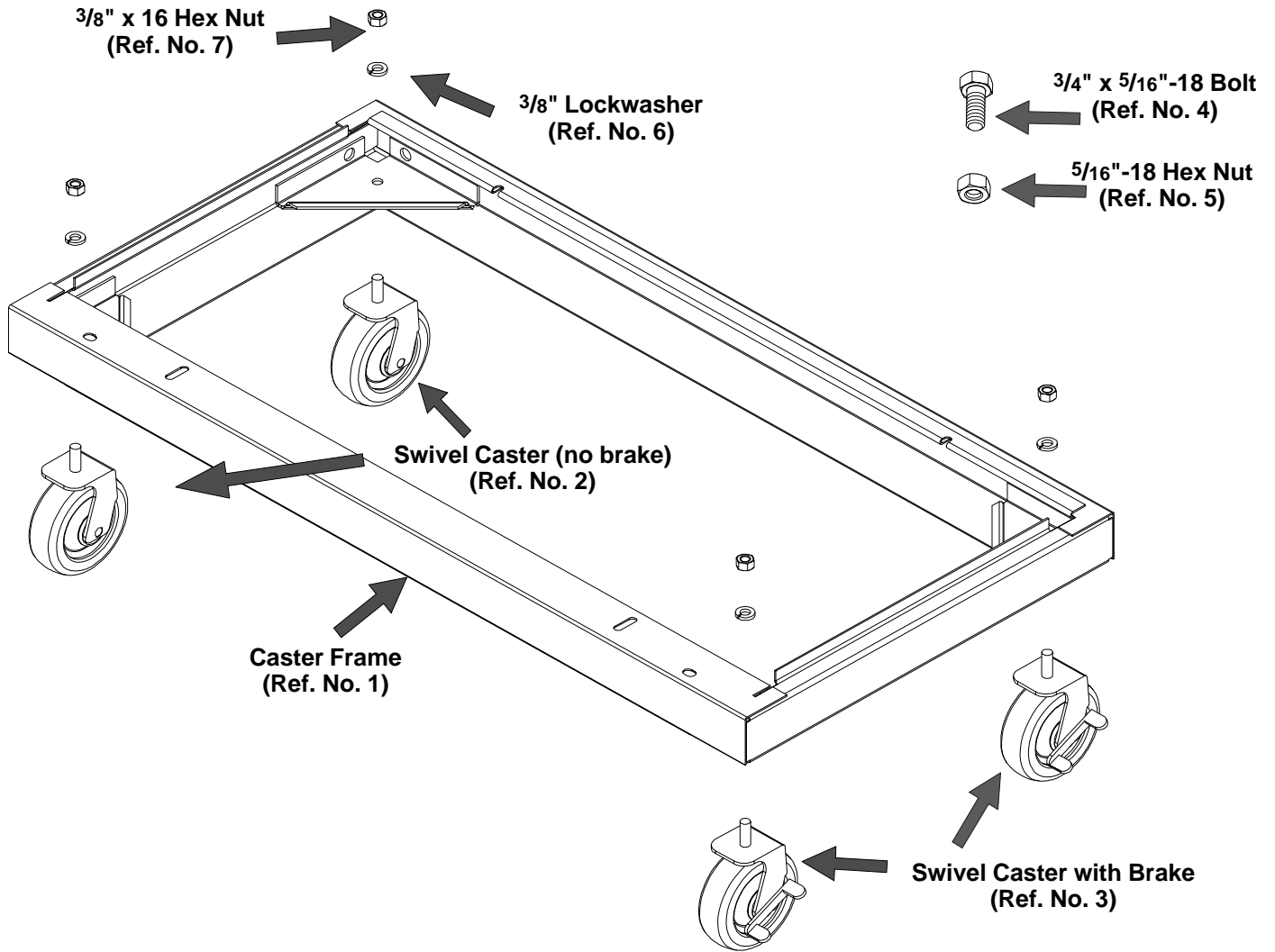


8. Carefully set the unit upright on its casters. To prevent the unit from rolling during this process, we recommend two people perform this step.



9. Your storage cabinet is now ready for mobile use.

# REPLACEMENT PARTS



| REF. NO. | PART DESCRIPTION                         | QTY | PART NUMBER |            |            |            |
|----------|--|-----|-------------|------------|------------|------------|
|          |  |     | 36x18 Unit  | 36x24 Unit | 48x18 Unit | 48x24 Unit |
| 1        | Caster Frame                             | 1   | CK18-NC     | CK24-NC    | CK4818-NC  | CK4824-NC  |
| 2        | Swivel Caster                            | 2   | HARDW45     | HARDW45    | HARDW45    | HARDW45    |
| 3        | Swivel Caster with Brake                 | 2   | HARDW44     | HARDW44    | HARDW44    | HARDW44    |
| 4        | 5/16"-18 x 3/4" Bolt (available locally) | 2   | —           | —          | —          | —          |
| 5        | 5/16"-18 Hex Nut (available locally)     | 2   | —           | —          | —          | —          |
| 6        | 3/8" x 16 Hex Nut (available locally)    | 4   | —           | —          | —          | —          |
| 7        | 3/8" Lockwasher (available locally)      | 4   | —           | —          | —          | —          |

Tennsco makes every effort to ensure that all units ship complete and arrive undamaged. However, should your unit contain missing or damaged parts, replacements may be obtained directly from Tennsco. To obtain proper replacement parts, follow the instructions below, or fill out the form at [www.tennsco.com/replacement.cfm](http://www.tennsco.com/replacement.cfm).

## TO OBTAIN PROPER REPLACEMENT PARTS, PLEASE PROVIDE THE FOLLOWING INFORMATION:

- Model Number (CKxx or CK-48xx)
- Description of part(s) needed and part number(s) as shown in Parts List (above)
- Color (i.e. Medium Grey, etc.)
- Was item missing, or was it damaged?
- Purchase Date
- Your company name
- Contact person's name
- Who the product was purchased from

Tennsco Corp., P.O. Box 1888, Dickson, TN 37056-1888 Customer Service: (866) 446-8686 Fax: (866) 445-7260  
 If requesting parts by telephone, ask for customer service and have as much of the above information ready as possible.