

# INDUSTRIAL WORKBENCH With Wood Top

Tennsco Corp., Dickson, TN 37056-1888 • (615) 446-8000

## RETAIN INSTRUCTIONS FOR FUTURE REFERENCE!



Congratulations on your purchase of a Tennsco Workbench! Our workbenches are ideally suited for factories, shops, labs, garages, and more. Your workbench features a wood top, and may be used with either our flared legs (shown above) or our adjustable legs.

Duplex holes punched into the workbench legs may be utilized to provide power to your workbench. The holes are designed to receive a Steel City electrical box, Model #CDOW (2.5" x 2" x 3").

**GENERAL SAFETY INFORMATION:** Some parts may have sharp edges. CARE must be taken when handling various pieces to avoid injury. For safety, wear a pair of work gloves when assembling or performing any maintenance on your workbench.

Some additional options that are available for your bench include stackable drawers with an optional lock, a lower shelf, adjustable legs, side and back rails, a riser, and an electronic riser. The parts list on the back of these instructions provide part numbers for these accessories.

**PLEASE NOTE:** These instructions are for a workbench with flared or adjustable legs. If you have ordered a modular workbench (with modular door or drawer units instead of legs) please disregard these instructions and assemble using the instructions that came with your modular units.

### LIMITED WARRANTY

Tennsco warrants goods purchased hereunder to be free of defects in materials and workmanship for a period of one (1) year from the date of shipment, hereunder. This warranty shall not apply in the event goods are damaged as a result of misuse, abuse, neglect, accident, improper application, modification or repair by persons not authorized by Seller, where goods are damaged during shipment, or where the date stamps on the goods have been defaced, modified or removed. UNLESS CONSIDERED UNENFORCEABLE OR UNLAWFUL UNDER APPLICABLE LAW:

- a. ALL IMPLIED WARRANTIES, INCLUDING BUT NOT LIMITED TO WARRANTIES OR MERCHANTABILITY AND FITNESS FOR A PARTICULAR PURPOSE ARE HEREBY EXCLUDED:
- b. BUYERS REMEDY, IF ANY, FOR ANY DEFECTIVE GOODS SHALL BE LIMITED TO A REFUND BY SELLER OR REPLACEMENT OF THE GOODS AT SELLER'S OPTION, AND SHALL IN NO EVENT INCLUDE DAMAGES OF ANY KIND, WHETHER INCIDENTAL, CONSEQUENTIAL OR OTHERWISE.

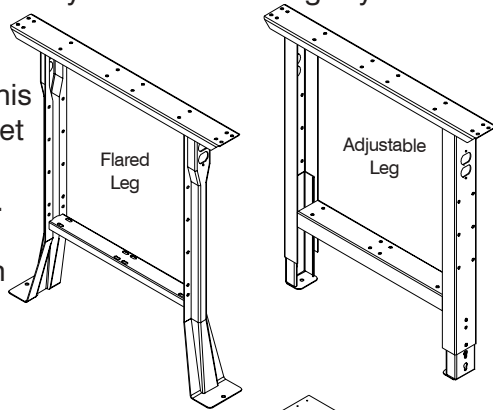
NO GOODS ACCEPTED FOR RETURN WITHOUT PRIOR APPROVAL. Seller shall have the right to inspect any goods claimed to be defective at Buyer's place of business or require Buyer to return the goods to Seller for inspection on Seller's premises. Transportation charges covering returned goods will be borne by Seller only if such goods are proven to be defective, are covered by this warranty and are returned within the warranty period stated above.

TENNSCO Corp., P.O. BOX 1888, DICKSON, TN 37056-1888  
(615) 446-8000 or (866) 446-8686 (toll free)  
Website: [www.tennsco.com](http://www.tennsco.com) E-mail: [Info@tennsco.com](mailto:Info@tennsco.com)

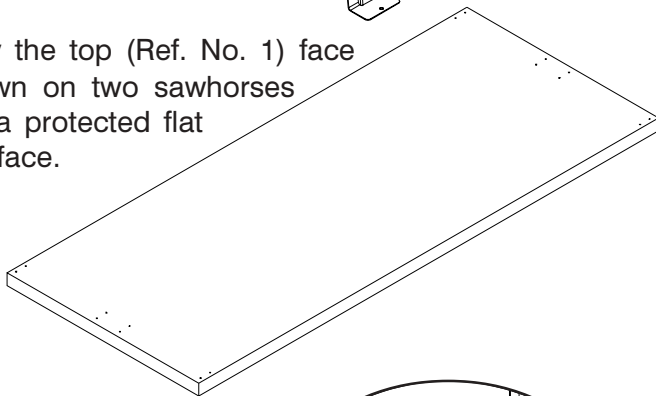
# ASSEMBLY OF INDUSTRIAL WORKBENCH

Tools Needed: A phillips-head screwdriver and a  $\frac{7}{16}$ " wrench or nut driver.  
Approximate assembly time for basic bench: 15 to 25 minutes.

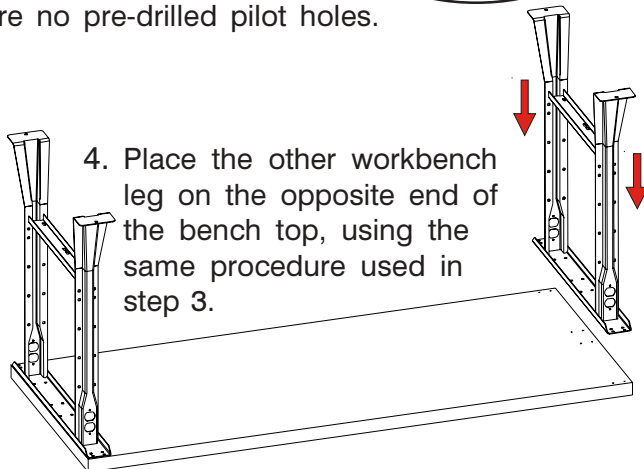
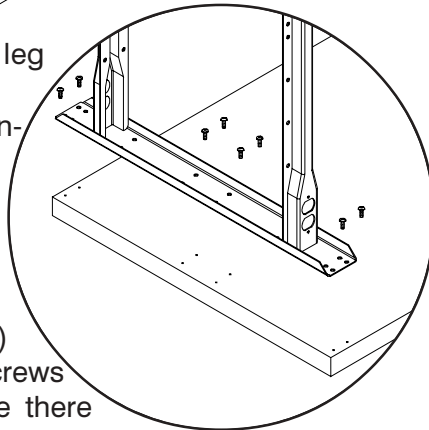
1. Two different legs are available for Tennsco workbenches: the flared leg or the adjustable leg (see drawings below). Please note that your bench will have only one of these leg styles. For purposes of clarity, the remainder of this instruction sheet will show the flared leg only. However, both legs install with identical steps.



2. Lay the top (Ref. No. 1) face down on two sawhorses or a protected flat surface.

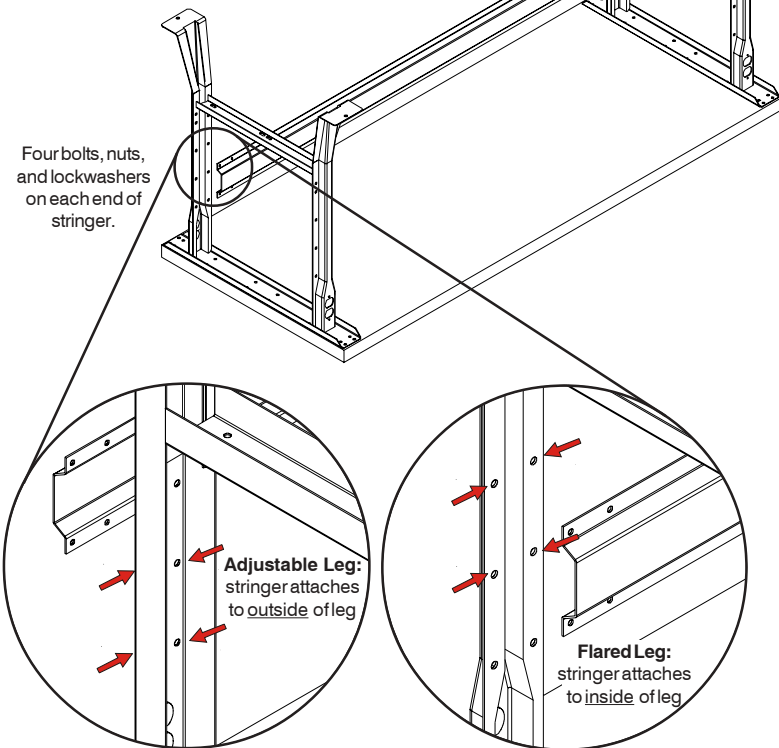


3. Place a workbench leg (Ref. No. 2) on one end of the top, aligning with the eight pre-drilled pilot holes. Attach with eight #14 x  $\frac{3}{4}$ " hex head slotted wood screws (Ref. No. 17)  
NOTE: No wood screws are necessary where there are no pre-drilled pilot holes.



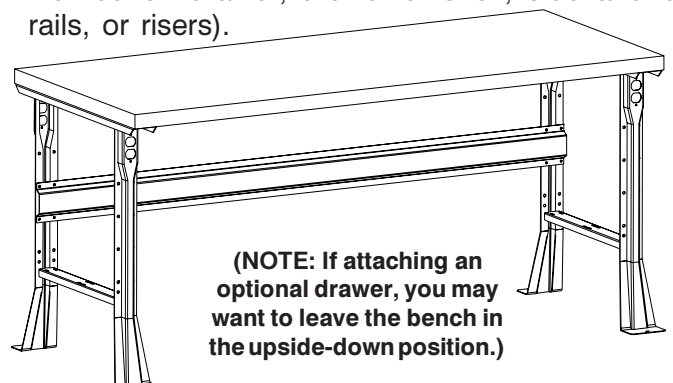
4. Place the other workbench leg on the opposite end of the bench top, using the same procedure used in step 3.

5. Attach the stringer (Ref. No. 3) to the rear legs, legs, skipping the top two holes and using the next four holes from the top of each leg. (The legs are symmetrical, so the front and rear of the bench will be determined by where you place the stringer.) Attach with eight  $\frac{1}{4}$ "-20 x  $\frac{5}{8}$ " bolts, nuts, and lockwashers (Ref. Nos. 18, 19, and 20)



**NOTE: The stringer attaches to the flat area of the leg. For flared legs, this will be on the inside of each leg; for adjustable legs, this will be on the outside of each leg (see the illustrations at right).**

6. If you purchased only the basic workbench, your bench is now complete. The remaining instructions show assembly of optional accessories (such as the workbench drawer, the lower shelf, side and back rails, or risers).

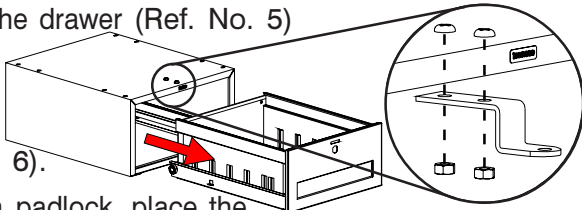


**(NOTE: If attaching an optional drawer, you may want to leave the bench in the upside-down position.)**

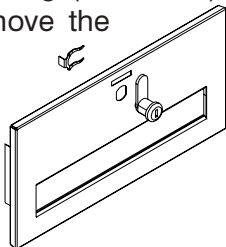
# OPTIONAL ACCESSORIES

## Optional Workbench Drawer

1. Remove the drawer (Ref. No. 5) from the drawer housing (Ref. No. 6).

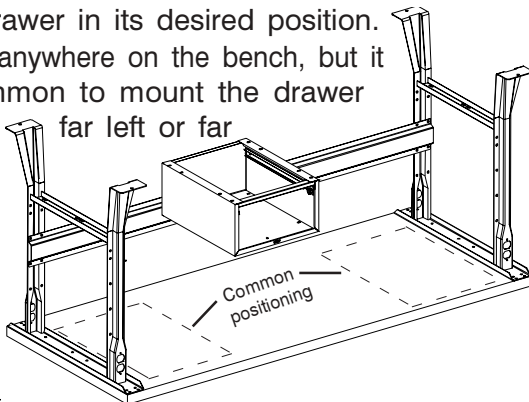


2. If using a padlock, place the lock hasp (Ref. No. 7) onto the two bolts which extend down from the drawer housing (see above). Attach using two 1/4"-20 nuts. Remove the rectangular knock-out panel from drawer front.

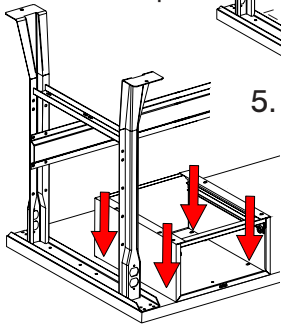


3. To install optional cam lock (Ref. No. 10), punch out the round knock-out panel in the drawer front. Then insert the cam lock through the hole, and secure with forked clip.

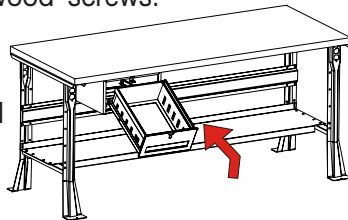
4. Place the drawer in its desired position. This can be anywhere on the bench, but it is most common to mount the drawer either to the far left or far right of the workbench, along the front of the bench top.



5. Using the holes in the drawer housing as a guide, drill four pilot holes into the bench. (We recommend using a 1/8" drill bit, and drilling no deeper than 1/2".) Secure with four #14 x 3/4" slotted wood screws.

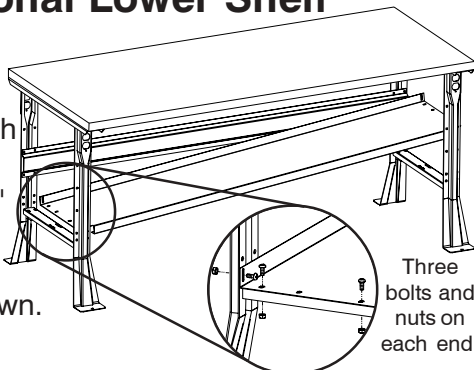


6. With the workbench upright, slide drawer back into its housing by tilting downward to let the drawer rollers move past each other.



## Optional Lower Shelf

1. Place the shelf (Ref. No. 11) on the brace of each leg. Attach with three 1/4"-20 x 5/8" bolts and nuts on each end of the shelf as shown.



Three bolts and nuts on each end.

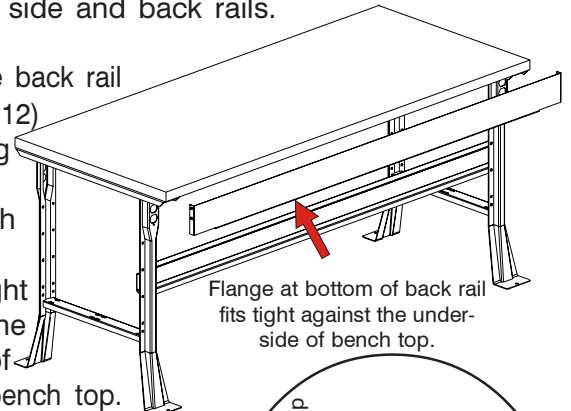
## Optional Riser or Electronic Riser

For assembly and installation of a riser or electronic riser, please refer to the instructions which came with the riser kit.

## Optional Side and Back Rails

1. If you are installing the optional side and back rails, and are also installing an optional riser, the riser must be in position first. **NOTE:** The riser and rails share some of the same screws. To avoid having to re-do parts of the installation, please refer to the riser instructions as you install the side and back rails.

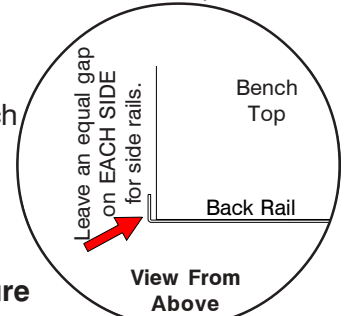
2. Attach the back rail (Ref. No. 12) by holding it against the bench with the flange tight against the bottom of the workbench top.



Flange at bottom of back rail fits tight against the underside of bench top.

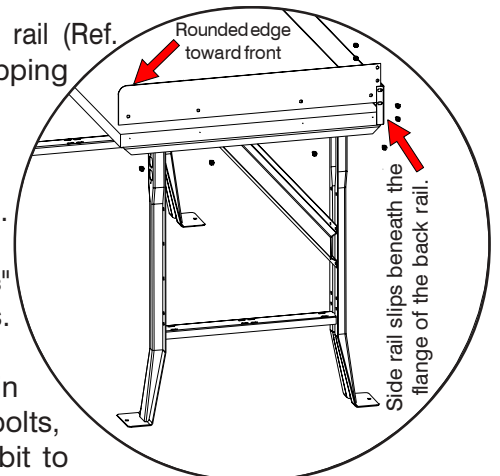
Using a 1/8" drill bit, drill pilot holes into the bench top through the existing holes in the back rail, drilling no deeper than 1/2" into the top.

**(IMPORTANT: Make sure you have allowed space on BOTH ends of the bench for the side rails to slip underneath the back rail.)** Attach with eight #14 x 3/4" slotted wood screws.



View From Above

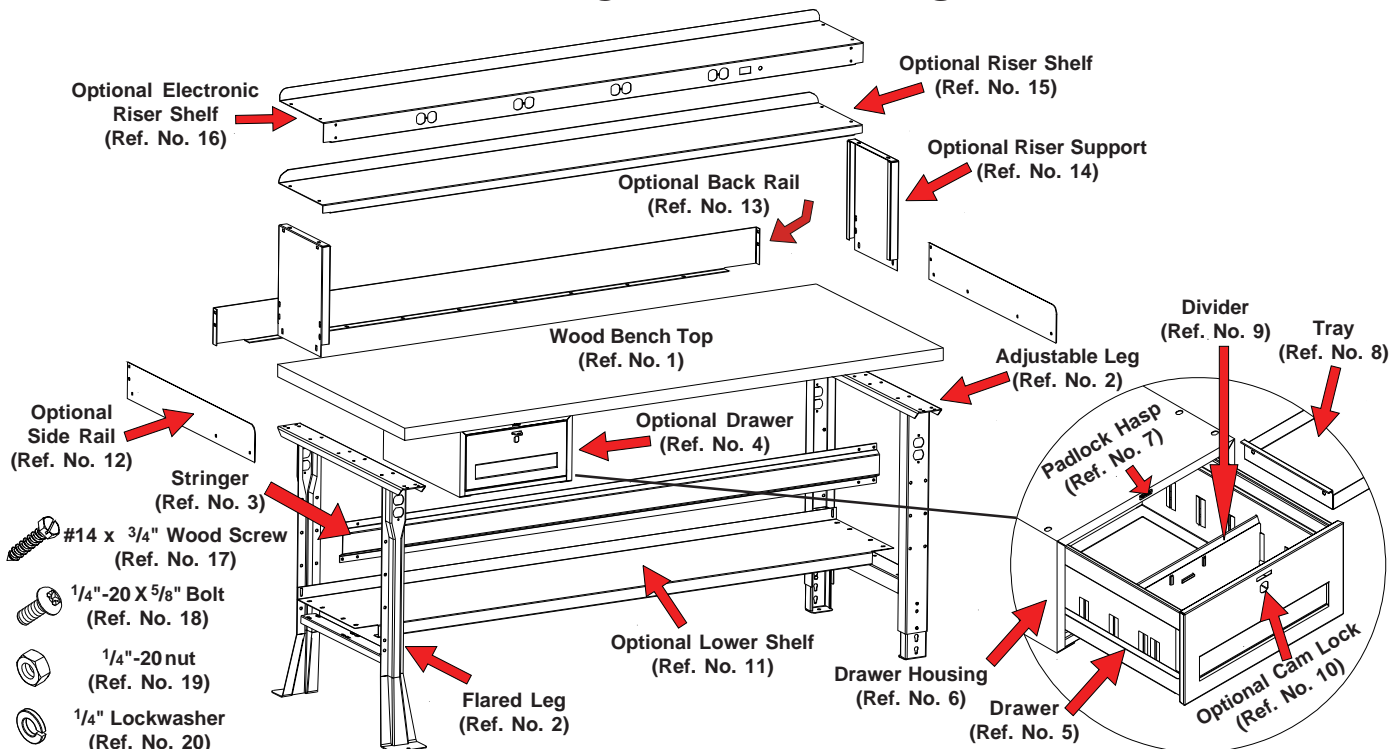
3. Attach one side rail (Ref. No. 13) by slipping it between the flange of the back rail and the bench top. Secure with two 1/4"-20 x 5/8" bolts and nuts. With the side rail now held in place by the bolts, use a 1/8" drill bit to drill four pilot holes into the bench top through the existing holes in the side rail. Attach with four #14 x 3/4" slotted wood screws. Repeat this procedure to attach the second side rail.



Rounded edge toward front

Side rail slips beneath the flange of the back rail.

# REPLACEMENT PARTS



REF. NO.	DESCRIPTION	QTY.	PART NO.			
			30"wx60"d	36"wx60"d	30"wx72"d	36"wx72"d
1	Compressed wood bench top with stringer OR	1	CT-3060	CT-3660	CT-3072	CT-3672
	Plastic laminate bench top with stringer OR	1	PT-3060	PT-3660	PT-3072	PT-3672
	Hardwood bench top with stringer	1	MT-3060	MT-3660	MT-3072	MT-3672
2	Flared workbench leg OR	1 (pair)	L-3230	L-3236	L-3230	L-3236
	Adjustable workbench leg	1 (pair)	AL-3230	AL-3236	AL-3230	AL-3236
3	Stringer (included with bench top)	1	WBS-60	WBS-60	WBS-72	WBS-72
4	Optional drawer (complete unit)	1	WBD-1	WBD-1	WBD-1	WBD-1
5	*Drawer	1	976CDW	976CDW	976CDW	976CDW
6	*Drawer housing	1	976CDH	976CDH	976CDH	976CDH
7	*Padlock hasp	1	976PH	976PH	976PH	976PH
8	*Tray	1	976T	976T	976T	976T
9	*Divider	1	WBDD-12	WBDD-12	WBDD-12	WBDD-12
10	Optional cam lock	1	CL-1	CL-1	CL-1	CL-1
11	Optional lower steel shelf	1	S-60	S-60	S-72	S-72
12	Optional back rail	1	BR-60	BR-60	BR-72	BR-72
13	Optional side rail	2	SR-30	SR-36	SR-30	SR-36
14	Optional riser support	2	WBRS-2	WBRS-2	WBRS-2	WBRS-2
15	Optional riser shelf	1	WBR-60	WBR-60	WBR-72	WBR-72
16	Optional electronic riser shelf	1	EWRS-6015	EWRS-6015	EWRS-7215	EWRS-7215
17	#14 x 3/4" hex head slotted wood screw	16**		AVAILABLE LOCALLY		
18	1/4"-20 x 5/8" bolt	8**		AVAILABLE LOCALLY		
19	1/4"-20 nut	8**		AVAILABLE LOCALLY		
20	1/4" lockwasher	8**		AVAILABLE LOCALLY		

\*Included in Ref. No. 4, optional drawer (WBD-1). \*\*Additional quantities may be present if options were purchased.

**We make every effort to ensure that all units ship complete with all parts and arrive undamaged. However, should your unit contain missing or damaged parts, replacements may be obtained directly from Tennsco.**

### TO OBTAIN PROPER REPLACEMENT PARTS, PLEASE PROVIDE THE FOLLOWING INFORMATION:

- Model Number
- Description of part(s) needed and part number(s) as shown in Parts List (above)
- Color (i.e. Medium Grey, etc.)
- Purchase Date
- Your company name and contact person
- Who the product was purchased from
- Was item missing, or was it damaged?

If requesting parts by telephone, please have as much of the above information ready as possible.

This information may also be submitted online at [www.tennsco.com/replacement.cfm](http://www.tennsco.com/replacement.cfm)

Tennsco Corp., P.O. Box 1888, Dickson, TN 37056-1888 Customer Service: (866) 446-8686 Fax: (800) 722-0134