



## A-Frame Shelving Price List

**EFFECTIVE JANUARY 1, 2015**

**This price list supersedes all previous price lists.  
Prices subject to change without notice.**

**Main Office:** (800) 251-8184 \* **FAX:** (800) 722-0134  
**Customer Service:** (866) 847-5164  
**Website:** www.estey-tennsco.com \* **E-mail:** info@tennsco.com

**MAILING ADDRESS:** P.O. Box 1888, Dickson, TN 37056-1888

**SHIPPING ADDRESS:** 201 Tennesco Drive Dickson, TN 37055

### **CONTENTS:**

**Page 2:** Policies, Services and Warranty  
**Page 3:** 36" Wide Units - Single and Double Face  
**Page 4:** Accessories



**FOR ESTEY COLORS, PLEASE REFER TO  
ESTEY'S COLOR CARD (AVAILABLE UPON REQUEST).**

## POLICY AND SERVICES

**PRICING:** All prices are F.O.B. Tenssco Corp's Facility in Dickson, Tennessee. All orders are subject to final acceptance at the Home Office, Dickson, Tennessee. Prices subject to change without notice. Tenssco has the right to make product design changes at any time. Tenssco's prices do not include sales, use, excise or similar taxes. Consequently, in addition to the prices specified herein, the amount of any present or future sales, use, excise or similar tax applicable to the manufacture, sale, purchase or use of the goods sold hereunder shall be paid by Buyer. In lieu thereof, Buyer shall provide Seller with a tax exemption certificate acceptable to the applicable taxing authorities.

**TERMS OF PAYMENT:** Terms are Net 30 Days from date of shipment. A service charge of 1 1/2% per month will be charged for overdue invoices.

**MINIMUM ORDERS:** Minimum order is \$15.00.

**SPECIFICATIONS:** Tenssco reserves the right to change any product specifications contained in this price list.

**FREIGHT CHARGES:** All shipments will be made freight collect unless otherwise specified. If freight is prepared, it will be added to the invoice or billed separately, depending on arrangements. On shipments by parcel post, the postage will be added to the invoice. All routing will be done solely by the Home Office. If purchaser does not accept delivery of merchandise when ready for shipment, storage fees will be charged to the purchaser.

**WEIGHT:** Weights shown are approximate.

**FREIGHT CLAIMS:** Claims for shortages must be made in writing to the Home Office within 5 business days from receipt of shipment. Claims for damaged or lost material must be filed with the carrier.

**CAUTION:** When you give delivering carrier a clear receipt for a shipment in which there is damaged merchandise or a shortage, the carrier is relieved of further responsibility. Claims for damage or shortage must be filed by you with the delivering carrier. Tenssco will not accept return of merchandise damaged in transit. Your claim is with the delivering carrier.

**PARTIAL SHIPMENTS:** Tenssco reserves the right to make delivery in installments unless otherwise expressly stated herein. All such installments shall be separately invoiced and paid for when due, without regard to subsequent deliveries. Delay in delivery of all installments shall not relieve Buyer of its obligations to accept remaining deliveries.

**SHIPPING TIME:** Shipping dates are estimates only, based on standard manufacturing times. Tenssco makes every effort to meet shipping date requests, but will not be held liable for missed shipping dates. Once items are shipped, Tenssco is not responsible for delays caused by the delivering carrier. This includes, but is not limited to, delays in installation proceedings due to slow delivery by carrier.

**CANCELLATIONS & RETURNS:** Orders for "Special" items are not subject to change or cancellation. Special colors and textured colors cannot be returned. All returns are subject to approval. No return merchandise will be accepted without written consent of the General Office, Dickson, Tennessee. All returned shipments are subject to a handling charge of 25% plus all transportation charges incurred by Tenssco unless Tenssco is at fault. Once production of "Special" items has begun, cancellation of order is subject to Tenssco approval. A 15% surcharge will be assessed to approved cancelled items.

**CODE RESTRICTIONS:** Local building codes vary. It is the purchaser's responsibility to determine that product installation is in accordance with local requirements.

## LIMITED WARRANTY

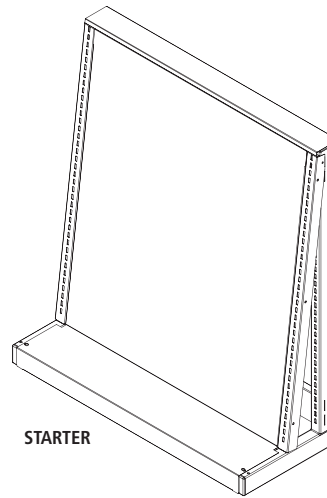
Tenssco warrants goods purchased hereunder to be free of defects in materials and workmanship for a period of one (1) year from the date of shipment, hereunder. Tenssco's warranty shall not apply in the event goods are damaged as a result of misuse, abuse, neglect, accident, improper application, modification or repair by persons not authorized by Seller, where goods are damaged during shipment. UNLESS CONSIDERED UNENFORCEABLE OR UNLAWFUL UNDER APPLICABLE LAW:

- a. ALL IMPLIED WARRANTIES, INCLUDING BUT NOT LIMITED TO WARRANTIES OR MERCHANTABILITY AND FITNESS FOR A PARTICULAR PURPOSE ARE HEREBY EXCLUDED.
- b. BUYERS REMEDY, IF ANY, FOR ANY DEFECTIVE GOODS SHALL BE LIMITED TO A REFUND BY SELLER OR REPLACEMENT OF THE GOODS AT SELLER'S OPTION AND SHALL IN NO EVENT INCLUDE DAMAGES OF ANY KIND, WHETHER INCIDENTAL, CONSEQUENTIAL OR OTHERWISE.

NO GOODS ACCEPTED FOR RETURN WITHOUT PRIOR APPROVAL. Seller shall have the right to inspect any goods claimed to be defective at Buyer's place of business or require Buyer to return the goods to Seller for inspection on Seller's premises. Transportation charges covering returned goods will be borne by Seller only if such goods are proven to be defective, are covered by this warranty and are returned within the warranty period stated above.

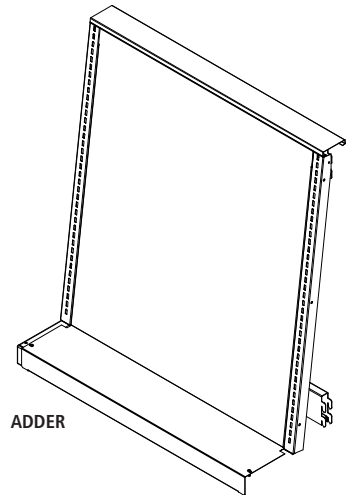
## Single Face

CAT. NO.	W	D	H	WT.	PRICE
<b>STARTER UNITS</b>					
DSS4236S	36	13	42	63	<b>654.00</b>
DSS5436S	36	14	54	76	<b>719.00</b>
DSS6636S	36	16	66	93	<b>730.00</b>



STARTER

DSS5436S



ADDER

DSS5436A

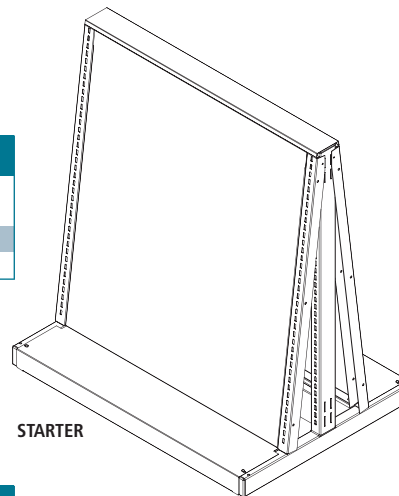
CAT. NO.	W	D	H	WT.	PRICE
<b>ADDER UNITS</b>					
DSS4236A	36	13	42	50	<b>493.00</b>
DSS5436A	36	14	54	61	<b>538.00</b>
DSS6636A	36	16	66	71	<b>544.00</b>

Upright assembly gives the shelving a clean, contemporary look and added strength without compromising aisle space or storage capacity.

**NOTE: Assemblies do NOT include accessories. Add accessories to create a functional shelving unit.**

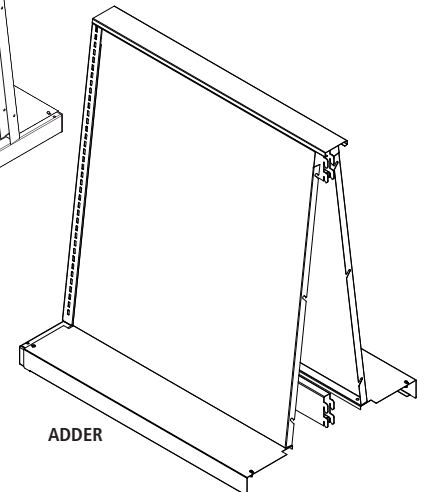
## Double Face

CAT. NO.	W	D	H	WT.	PRICE
<b>STARTER UNITS</b>					
DSD4236S	36	26	42	101	<b>919.00</b>
DSD5436S	36	28	54	125	<b>1,051.00</b>
DSD6636S	36	32	66	149	<b>1,073.00</b>



STARTER

DSD5436S



ADDER

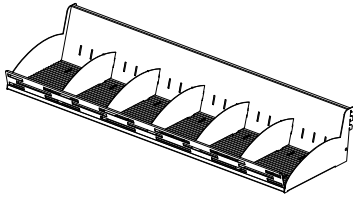
DSD5436A

CAT. NO.	W	D	H	WT.	PRICE
<b>ADDER UNITS</b>					
DSD4236A	36	26	42	82	<b>729.00</b>
DSD5436A	36	28	54	104	<b>815.00</b>
DSD6636A	36	32	66	121	<b>827.00</b>

Upright assembly gives the shelving a clean, contemporary look and added strength without compromising aisle space or storage capacity.

**NOTE: Assemblies do NOT include accessories. Add accessories to create a functional shelving unit.**

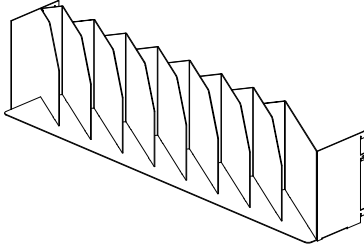
**DIVIDER BROWSER SHELF**



CAT. NO.	W	D	H	WT.	PRICE
BRS3611A	36	12	6	13.4	<b>209.00</b>
<b>EXTRA DIVIDER</b>					
BRSDIV11	3/64	10	3 3/64	0.4	<b>3.20</b>

Ideal for storing a wide variety of media items. Shelf includes 5 dividers and an attractive front profile.

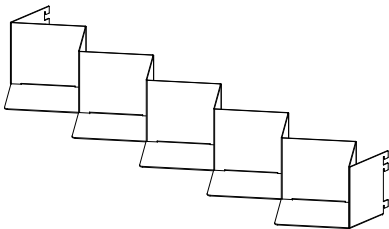
**MAGAZINE SHELF**



CAT. NO.	W	D	H	WT.	PRICE
DSDMS36	36	7	8	18.3	<b>359.00</b>

Perfect for any retail environment, our magazine shelf includes 8 fixed dividers to showcase your periodicals.

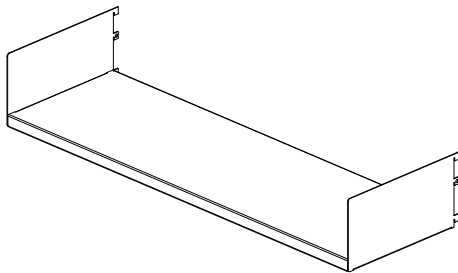
**MEDIA/PAPERBACK SHELF**



CAT. NO.	W	D	H	WT.	PRICE
DSDAV36	36	8	5	7.2	<b>112.00</b>

Our zig-zag design is the perfect solution when displaying Blu-rays, DVDs, CDs, audio books, paperbacks and more.

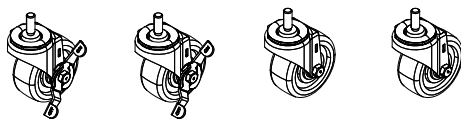
**FLAT SHELVES**



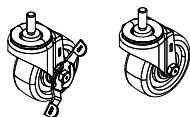
CAT. NO.	W	D	H	WT.	PRICE
ED3608A	36	8	6	7.1	<b>47.00</b>
ED3609A	36	9	6	7.8	<b>51.00</b>
ED3610A	36	10	6	8.6	<b>44.00</b>
ED3611A	36	11	6	9.5	<b>50.00</b>
ED3612A	36	12	6	10.2	<b>50.00</b>

Display hard backed books and other media with our attractive, adjustable shelf.

**CASTER KITS**



DSCK-S



DSCK-A

CAT. NO.	W	D	H	WT.	PRICE
<b>CASTER KIT FOR STARTER UNIT</b>					
DSCK-S	2 with brakes, 2 without brakes			4.0	<b>197.00</b>

CAT. NO.	W	D	H	WT.	PRICE
<b>CASTER KIT FOR ADDER UNIT</b>					
DSCK-A	1 with brake, 1 without brake			2.0	<b>102.00</b>

Adding 3" diameter swivel casters to your A-Frame Display Shelving System allows you to adapt your library space as your needs evolve.

NOTE: A-Frame display shelving does not support ANY other accessories, aside from those listed above.