

WORKBENCH ACCESSORIES

**Side and Back Rail Models SB-3060,
SB-3072 & SB-3672**

Lower Shelf Models S-60 & S-72

Standard Riser Models R-1060 & R-1072

Tennsco Corp., Dickson, TN 37055-0606 ♦ (615) 446-8000

READ INSTRUCTIONS CAREFULLY BEFORE ATTEMPTING TO ASSEMBLE YOUR *Tennsco* WORKBENCH ACCESSORIES.

RETAIN THESE INSTRUCTIONS FOR FUTURE REFERENCE!



Description

Tennsco workbench accessories add space and versatility to your *Tennsco* workbench.

The Models SB-3060, SB-3072 and SB-3672 Side and Back Rails stand 3" above the workbench surface to keep parts and small articles from rolling off the sides and back. Rounded front corners for safety. The railing bolts to any workbench top and can be used with other bench accessories.

The workbench lower shelf accessory Models S-60 & S-72 spans between two open leg braces and attaches through pre-punched holes. Used for extra storage. Flange prevents objects from falling off rear. It is commonly used for storing parts cabinets, tools and other shop items needed at the job site.

Workbench riser Models R-1060 & R-1072 attach to all style tops. Add extra storage at a convenient height. May be double stacked. Good for storing tools, test equipment, or any item requiring quick access. Flange 1 1/2" high prevents objects from falling off rear.

Specifications

Overall dimensions:

Side and Back Rails:

Back Rail

Model SB-3060 4 1/2" x 60"

Models SB-3072 & SB-3672. 4 1/2" x 72"

Side Rail

Models SB-3060 & SB-3072. 4 1/2" x 30"

Model SB-3672 4 1/2" x 36"

Lower Shelf:

Model S-6060"w x 14"d

Model S-7272"w x 14"d

Standard Riser:

Model R-106060"w x 10 1/2"d x 12"h

Model R-1072.72" W X 10 1/2"d x 12"h

Basic Construction:

Back and Side Rails 14 Gauge Steel

Lower Shelf 16 Gauge Steel

Riser. 16 Gauge Steel

Weight (approximate)

Model SB-3060 13.8 lbs.

Model SB-3072 15.4 lbs.

Model SB-3672 16.6 lbs.

Model S-60 20.0 lbs.

Model S-72 24.0 lbs.

Model R-1060 25.5 lbs.

Model R-1072. 25.6 lbs.

General Safety Information

Some parts may have sharp edges. CARE must be taken when handling the various pieces to avoid injury. For safety, wear a pair of work gloves when assembling or performing any maintenance on the workbench accessories.

Mounting of Accessories to Workbench

Tools required: Slotted screwdriver and 7/16" wrench.

SIDE & BACK RAILS TO METAL TOP

1. Bolt side rail (Ref. No. 2) to the right side of the top end attachment with four 1/4"-20 X 5/8" bolts and 1/4"-20 nuts. (Be sure that the rounded corner of side rail is toward the front of workbench.)
2. Proceed with rail for left side as above.
3. Place back rail (Ref. No. 1) across back and around side rails. Secure to bench top with five 1/4"-20 X 5/8" bolts, 1/4" lockwashers and 1/4"-20 nuts. Use two at each end to fasten to side rails.

SIDE & BACK RAILS TO WOOD TOP

Proceed as with steel top above except use #14 X 3/4" pan head slotted wood screws to secure back and end rails directly to top. (The screws can be driven in more easily if a 5/32" hole is first drilled approximately 3/4" deep. Use the side and back rails as templates to drill holes.)

LOWER SHELF TO BENCH LEGS

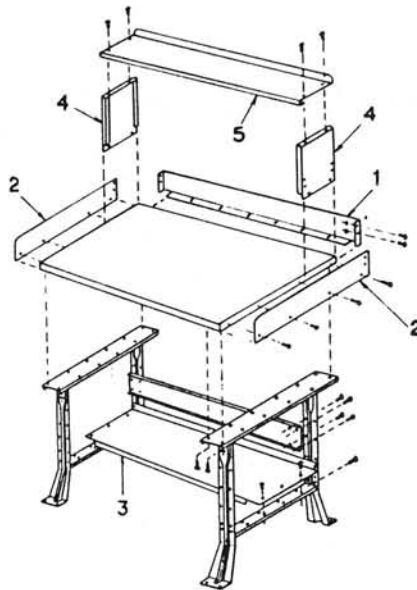
1. Place lower shelf (Ref. No. 3) across braces of legs.
2. Secure in place with six 1/4" x 5/8" bolts and nuts.

STANDARD RISER TO STEEL OR WOOD TOP

1. Workbench on which riser is to be installed should be in standard upright position.
2. Secure riser supports (Ref. No. 4) to top end, using four 1/4-20 x 5/8" bolts and nuts or four #14 x 3/4" wood screws for wood tops.
3. Secure riser shelf (Ref. No. 5) to supports using two 1/4-20 x 5/8" bolts on each end.

STANDARD RISER TO ANOTHER RISER

1. Secure riser supports to lower riser support with flange downward, using four 1/4"-20 x 5/8" bolts and nuts.
2. Secure riser shelf to supports using two 1/4"-20 x 5/8" bolts and nuts on each end.



LIMITED WARRANTY

Tennsco warrants goods purchased hereunder to be free of defects in materials and workmanship for a period of one (1) year from the date of shipment, hereunder. This warranty shall not apply in the event goods are damaged as a result of misuse, abuse, neglect, accident, improper application, modification or repair by persons not authorized by Seller, where goods are damaged during shipment, or where the date stamps on the goods have been defaced, modified or removed. UNLESS CONSIDERABLE UNENFORCEABLE OR UNLAWFUL UNDER APPLICABLE LAW:

- a. ALL IMPLIED WARRANTIES, INCLUDING BUT NOT LIMITED TO WARRANTIES OF MERCHANTABILITY AND FITNESS FOR A PARTICULAR PURPOSE ARE HEREBY EXCLUDED.
 - b. BUYERS REMEDY, IF ANY, FOR ANY DEFECTIVE GOODS SHALL BE LIMITED TO A REFUND BY SELLER OR REPLACEMENT OF THE GOODS AT SELLER'S OPTION, AND SHALL IN NO EVENT INCLUDE DAMAGES OF ANY KIND, WHETHER INCIDENTAL, CONSEQUENTIAL OR OTHERWISE.
- NO GOODS ACCEPTED FOR RETURN WITHOUT PRIOR APPROVAL. Seller shall have the right to inspect any goods claimed to be defective at Buyer's place of business or require Buyer to return the goods to Seller for inspection on Seller's premises. Transportation charges covering returned goods will be borne by Seller only if such goods are proven to be defective, are covered by this warranty and are returned within the warranty period stated above.

Tennsco Corp.
P. O. Box 606
Dickson, TN 37055-0606
(615) 446-8000 (800) 251-8184