

STUR-D-STOR

ASSEMBLY INSTRUCTIONS & PARTS MANUAL #1090703

HOME SHELVING SYSTEM, Model No. LSS-482484

STUR-D-STOR, Dickson, TN 37056-1888 * (615) 446-8000

Be Sure To Save This Instruction Sheet For Future Reference!

CONGRATULATIONS on your selection of Tennsco's STUR-D-STOR home shelving system. The STUR-D-STOR system is designed for use in the home, the office, and the industrial workplace. STUR-D-STOR shelving systems provide sturdy shelving which may be used as either a single upright unit or split in half to provide shelving with a handy work surface. Our unique shelf support design provides support for loads of up to 850 pounds per shelf!



LIMITED WARRANTY

Tennsco warrants goods purchased hereunder to be free of defects in materials and workmanship for a period of one (1) year from the date of shipment, hereunder. This warranty shall not apply in the event goods are damaged as a result of misuse, abuse, neglect, accident, improper application, modification or repair by persons not authorized by Seller, where goods are damaged during shipment, or where the date stamps on the goods have been defaced, modified or removed. UNLESS CONSIDERED UNENFORCEABLE OR UNLAWFUL UNDER APPLICABLE LAW:

- a. ALL IMPLIED WARRANTIES, INCLUDING BUT NOT LIMITED TO WARRANTIES OR MERCHANT ABILITY AND FITNESS FOR A PARTICULAR PURPOSE ARE HEREBY EXCLUDED.
- b. BUYERS REMEDY, IF ANY, FOR ANY DEFECTIVE GOODS SHALL BE LIMITED TO A REFUND BY SELLER OR REPLACEMENT OF THE GOODS AT SELLER'S OPTION, AND SHALL IN NO EVENT INCLUDE DAMAGES OF ANY KIND, WHETHER INCIDENTAL, CONSEQUENTIAL OR OTHERWISE.

NO GOODS ACCEPTED FOR RETURN WITHOUT PRIOR APPROVAL. Seller shall have the right to inspect any goods claimed to be defective at Buyers place of business or require Buyer to return the goods to Seller for inspection on Seller's premises. Transportation charges covering returned goods will be borne by Seller only if such goods are proven to be defective, are covered by this warranty and are returned within the warranty period stated above.

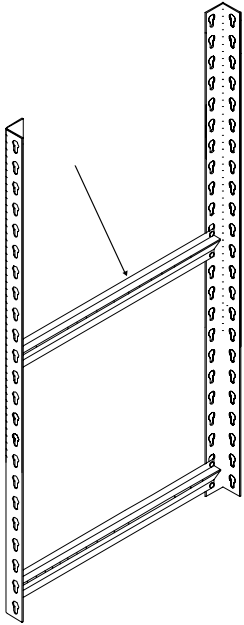
GENERAL SAFETY INFORMATION

Some parts may have sharp edges. CARE must be taken when handling various pieces to avoid injury. For safety, wear a pair of work gloves when assembling or performing any maintenance on shelving unit. Shelving unit is designed to be placed upright on a flat surface. Distribute the weight of items stored on the shelves evenly across the shelves. Do not place heavier items on the upper shelves. If the shelving unit is to be located in an uneven manner or positioned on an unlevel surface, the unit should be secured to a wall or floor with appropriate fasteners. Do not use as a ladder!

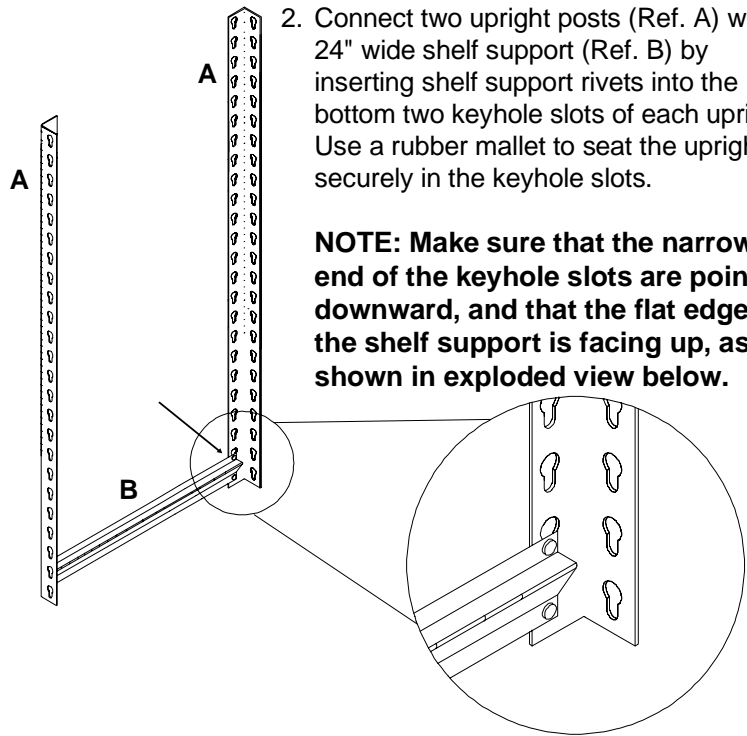
Step By Step Installation Instructions

Tool required: Rubber Mallet or Hammer

1. Remove all parts from carton and check against the parts list on back cover for any missing parts.

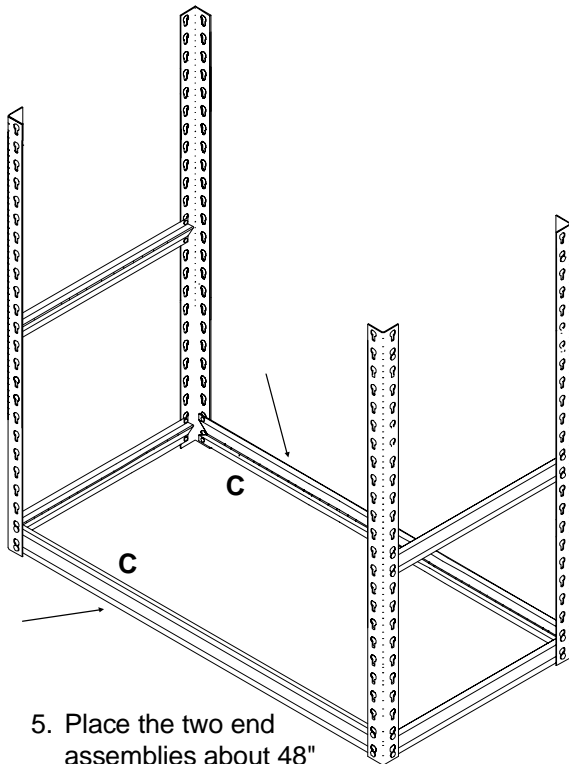


3. Place a second 24" wide upright halfway up the upright assembly as shown.



2. Connect two upright posts (Ref. A) with a 24" wide shelf support (Ref. B) by inserting shelf support rivets into the bottom two keyhole slots of each upright. Use a rubber mallet to seat the upright securely in the keyhole slots.

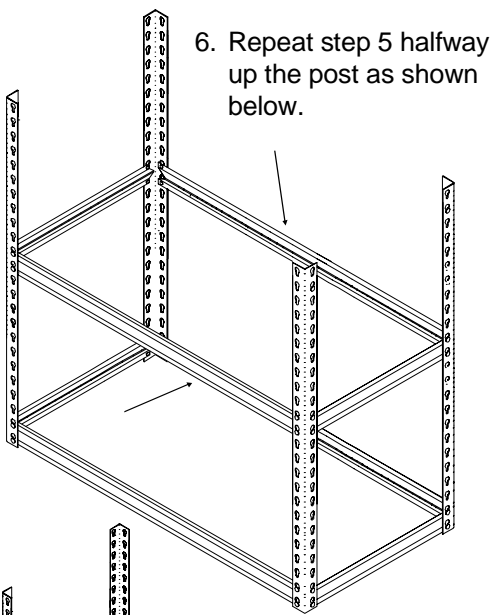
NOTE: Make sure that the narrow end of the keyhole slots are pointing downward, and that the flat edge of the shelf support is facing up, as shown in exploded view below.



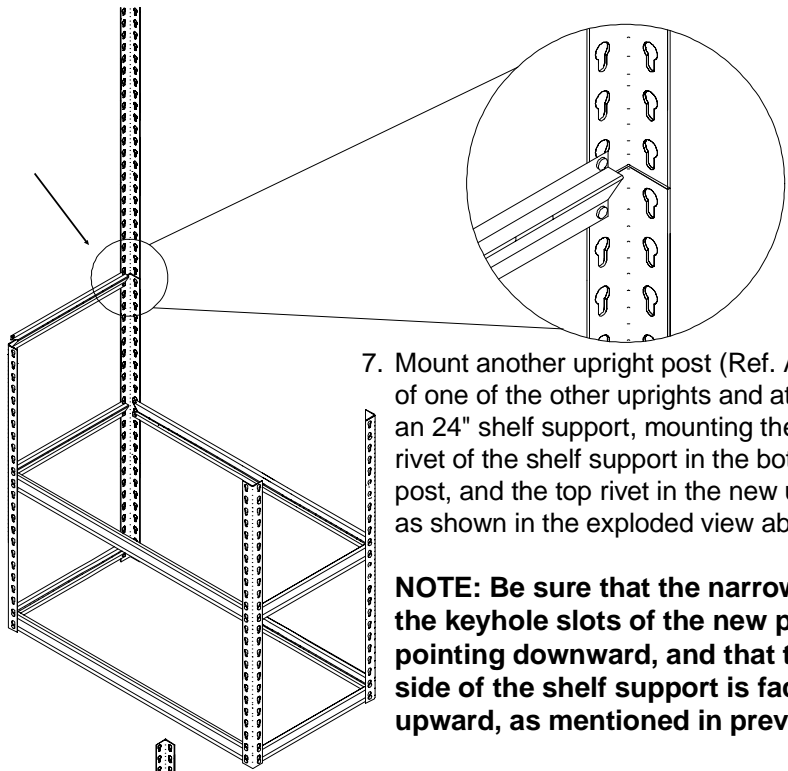
5. Place the two end assemblies about 48" apart, with the angled corners facing outward. Connect two 48" shelf supports (Ref. C) between the two assemblies, one on each side, as shown. Be sure to use the two keyhole slots nearest the floor, as before.

4. Repeat steps 2 and 3 to prepare a second set of uprights, as shown. You should now have two upright end assemblies.

NOTE: As in step two, make sure the flat edge of the shelf supports are facing upward. If you have done this correctly, there should now be a flat surface around all four edges on which to lay the bottom particleboard shelf. If any edge has an upward-facing angled edge, the upright has been inserted upside-down.

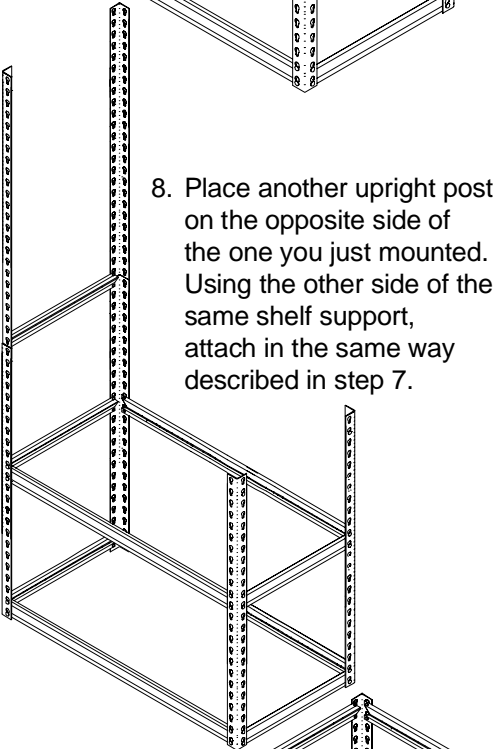


6. Repeat step 5 halfway up the post as shown below.

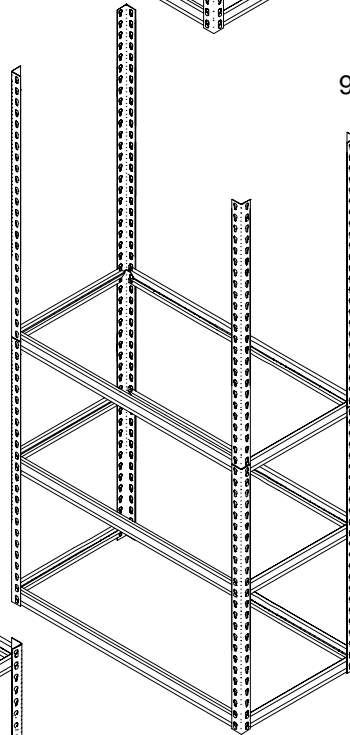


7. Mount another upright post (Ref. A) to the top of one of the other uprights and attach with an 24" shelf support, mounting the bottom rivet of the shelf support in the bottom upright post, and the top rivet in the new upright post, as shown in the exploded view above.

NOTE: Be sure that the narrow end of the keyhole slots of the new post are pointing downward, and that the flat side of the shelf support is facing upward, as mentioned in previous steps.

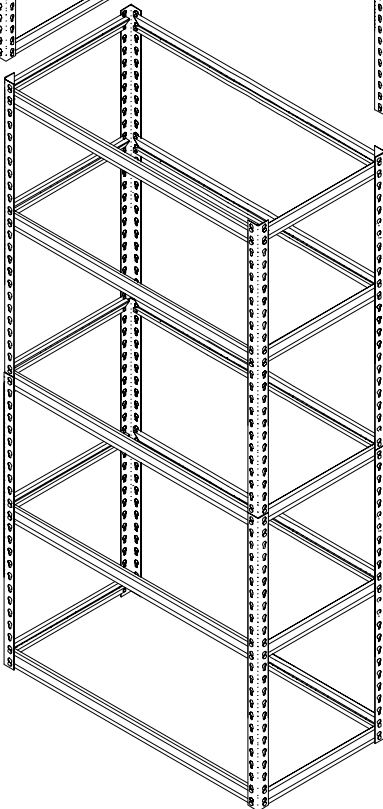


8. Place another upright post on the opposite side of the one you just mounted. Using the other side of the same shelf support, attach in the same way described in step 7.

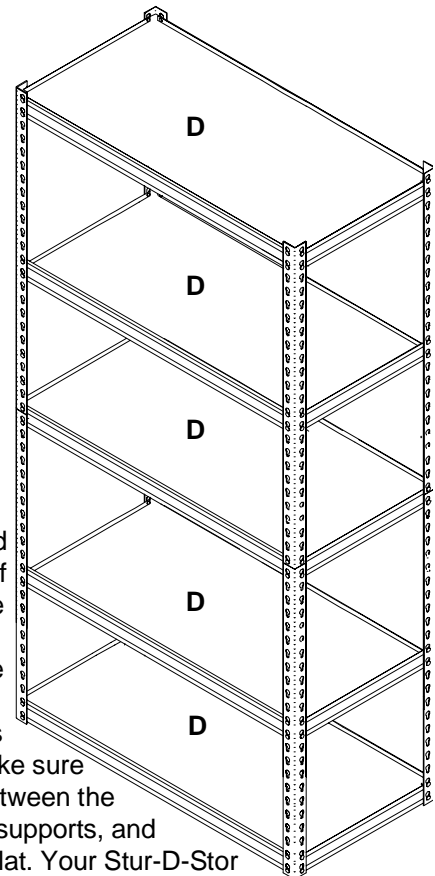


9. Repeat steps 7 and 8 on the opposite end of the unit. Then, attach the two ends by placing two 48" shelf supports across the width of the unit. Be sure to mount as previously described.

10. Continue placing shelf levels, one level halfway between the center shelf and the top, and one level using the top two keyhole slots. Make sure all shelf supports are mounted with flat side facing up.



11. Place one particleboard shelf (Ref. D) in each of the five levels you have created, slanting each shelf slightly as you are placing it to allow it to fit between the uprights and shelf supports. Make sure each shelf is seated between the edges on all four shelf supports, and that the shelf is laying flat. Your Stur-D-Stor Shelving System is now ready for use.

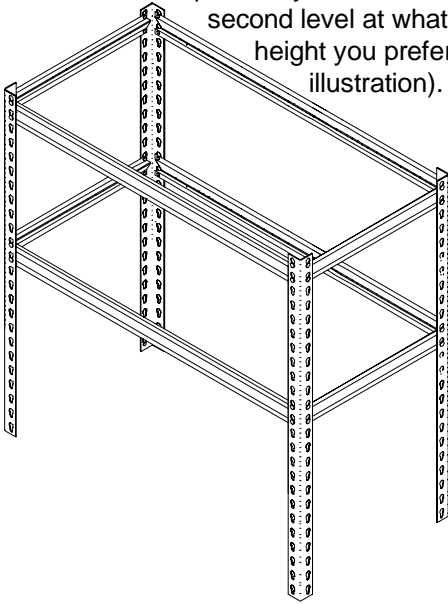


Assembly as a Workbench/Shelf Unit

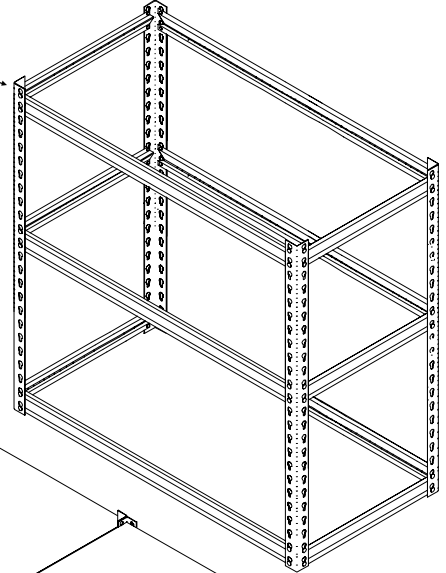
Tool required: Rubber Mallet or Hammer

A. Follow steps one through six on the inside of this assembly sheet.

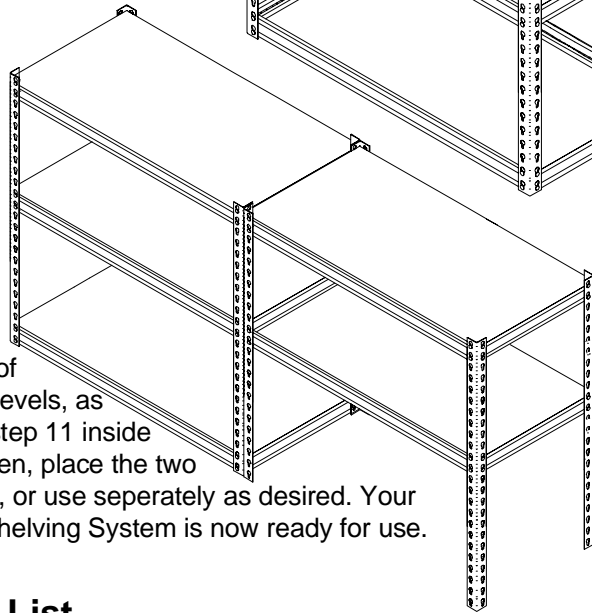
C. Now, build the second unit in the same manner as you did the first unit, except this one with only two levels. Place the top level in the top two keyhole slots, and the second level at whatever height you prefer (see illustration).



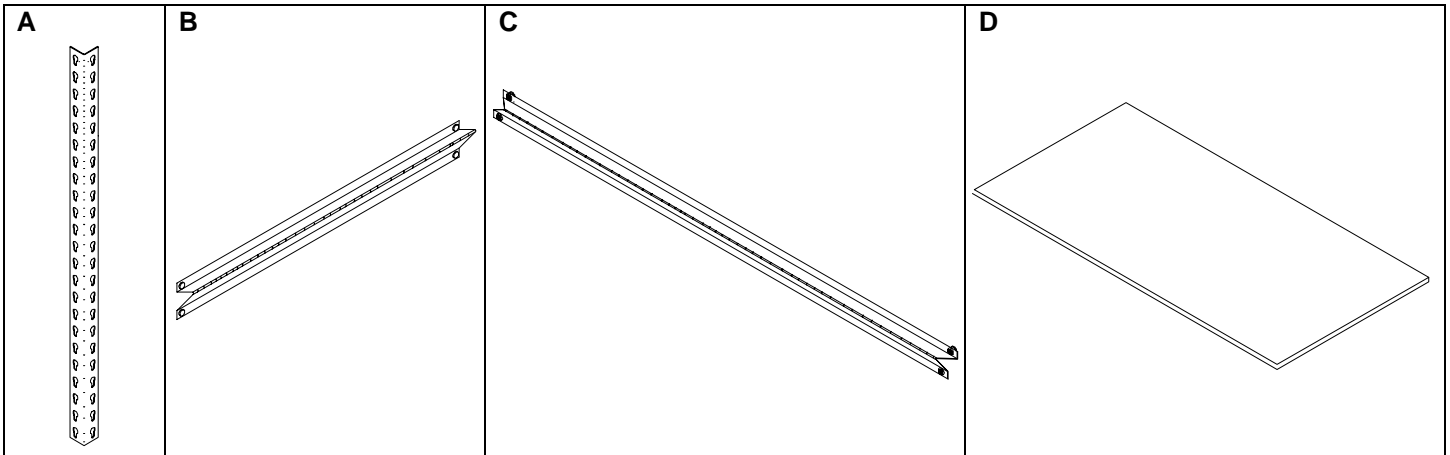
B. Instead of stacking the uprights on top of each other, as shown in step seven inside this sheet, place four shelf supports in the top two keyhole slots, being sure that the flat edge of each shelf support is facing up as described in earlier steps.



D. Insert one particleboard shelf at each of the five shelf levels, as described in step 11 inside this sheet. Then, place the two units together, or use separately as desired. Your Stur-D-Stor Shelving System is now ready for use.



Parts List



REF. NUMBER	DESCRIPTION	PARTS NO.	QTY.
A	Upright Post	EUR-42	8
B	Shelf Support (24" wide)	VDRS-2416	10
C	Shelf Support (48" wide)	VDRS-4816	10
D	Particleboard Shelf	PBV-4824	5

ORDER REPLACEMENT PARTS DIRECT FROM FACTORY

Please Provide the following information:

- Model Number
- Part Description and Number as Shown Above

Contact: STUR-D-STOR, P.O. Box 1888

Dickson, TN 37056-1888

(615) 446-8000 (800) 251-8184