



# JUMBO STORAGE CABINET, 42" High Models J1842A & J2442A Counter-Height

Tennsco Corp., Dickson, TN 37056-1888 • (615) 446-8000

## RETAIN INSTRUCTIONS FOR FUTURE REFERENCE!

Congratulations on your purchase of a Jumbo storage cabinet from Tennsco!

Our Jumbo cabinets provide abundant storage space; the Model J1842A is 48"w x 18"d x 42" tall, while the Model J2442A is 48"w x 24"d x 42" tall. Our cabinets are rigidly constructed to give you years of dependable and efficient service. Nylon



lock-bar guides ensure smooth, quiet operation. A locking handle with two keys provides a three-point locking system for added security. Sturdy adjustable shelves provide exceptional strength — up to 400 lbs. per shelf, evenly distributed. And our baked-on powder finish adds even more durability.

**GENERAL SAFETY INFORMATION:** Some parts may have sharp edges. CARE must be taken when handling various pieces to avoid injury. For safety, wear a pair of work gloves when assembling or performing any maintenance on your cabinet.

### LIMITED WARRANTY

Tennsco warrants goods purchased hereunder to be free of defects in materials and workmanship for a period of one (1) year from the date of shipment, hereunder. This warranty shall not apply in the event goods are damaged as a result of misuse, abuse, neglect, accident, improper application, modification or repair by persons not authorized by Seller, where goods are damaged during shipment, or where the date stamps on the goods have been defaced, modified or removed. UNLESS CONSIDERED UNENFORCEABLE OR UNLAWFUL UNDER APPLICABLE LAW:

- a. ALL IMPLIED WARRANTIES, INCLUDING BUT NOT LIMITED TO WARRANTIES OR MERCHANTABILITY AND FITNESS FOR A PARTICULAR PURPOSE ARE HEREBY EXCLUDED:
- b. BUYERS REMEDY, IF ANY, FOR ANY DEFECTIVE GOODS SHALL BE LIMITED TO A REFUND BY SELLER OR REPLACEMENT OF THE GOODS AT SELLER'S OPTION, AND SHALL IN NO EVENT INCLUDE DAMAGES OF ANY KIND, WHETHER INCIDENTAL, CONSEQUENTIAL OR OTHERWISE.

NO GOODS ACCEPTED FOR RETURN WITHOUT PRIOR APPROVAL. Seller shall have the right to inspect any goods claimed to be defective at Buyer's place of business or require Buyer to return the goods to Seller for inspection on Seller's premises. Transportation charges covering returned goods will be borne by Seller only if such goods are proven to be defective, are covered by this warranty and are returned within the warranty period stated above.

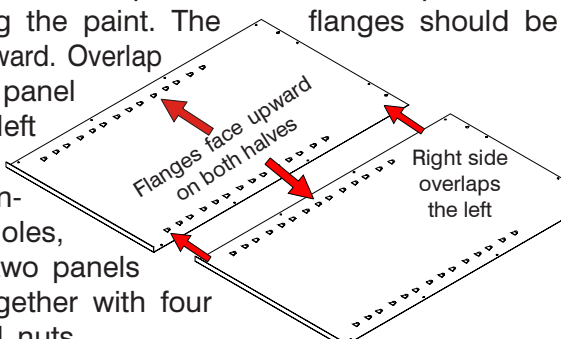
Mailing Address: **TENNSCO CORP.**  
P.O. Box 1888  
Dickson, TN 37056-1888  
(615) 446-8000 (800) 251-8184

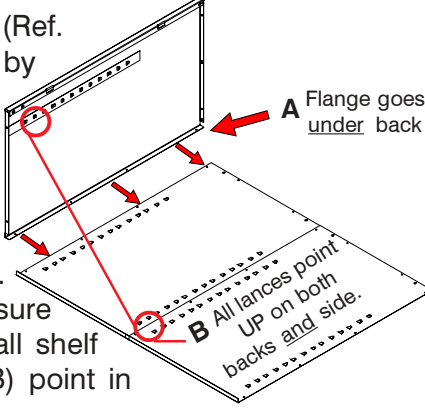
Shipping Address: **TENNSCO CORP.**  
201 Tennsco Drive  
Dickson, TN 37055  
(615) 446-8000 (800) 251-8184

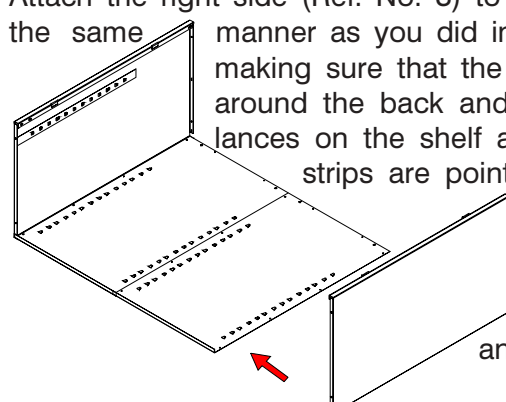
# INSTALLATION OF JUMBO J1842A CABINET

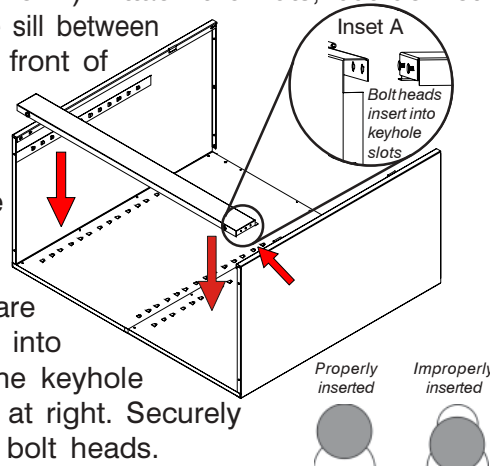
Tools needed: An  $1\frac{1}{32}$ " nut driver (provided free with unit); a hammer; and a flathead screwdriver.  
Two people recommended for installation. Approximate assembly time: 15 to 25 minutes.

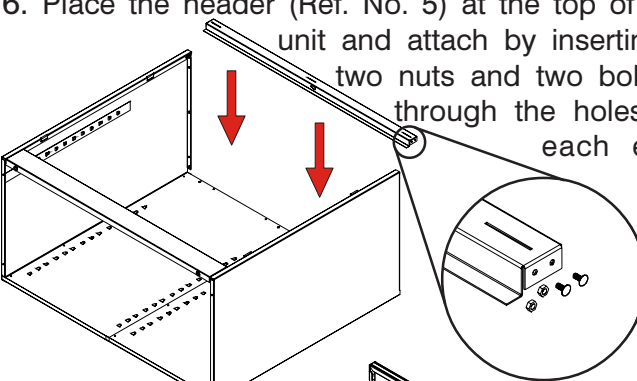
1. The reference numbers used throughout this sheet refer to the illustration on the back cover. This is to help you to identify the various parts as they are mentioned.

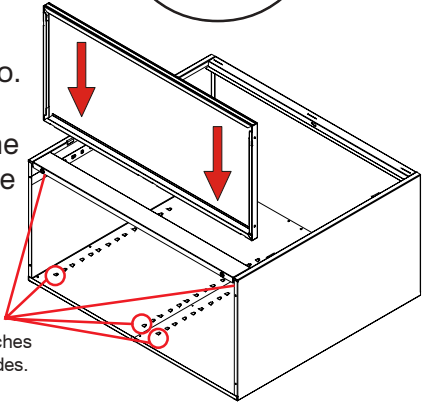
2. Place the two pieces of the cabinet back (Ref. No. 1) side by side on a protected surface to prevent scratching the paint. The flanges should be facing upward. Overlap the right panel over the left panel. After aligning the holes, bolt the two panels tightly together with four bolts and nuts.
 

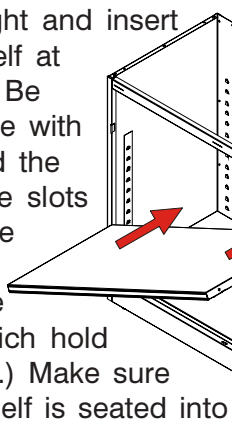
3. Attach the left side (Ref. No. 2) to the back by placing flange (A) around the back and bolting the back and side together with four bolts and nuts (Ref. Nos. 19 & 20). Be sure that the lances on all shelf adjustment strips (B) point in the same direction.
 

4. Attach the right side (Ref. No. 3) to the back in the same manner as you did in step 3, again making sure that the flange is around the back and that the lances on the shelf adjustment strips are pointed in the same direction as those on the the back and left side.
 

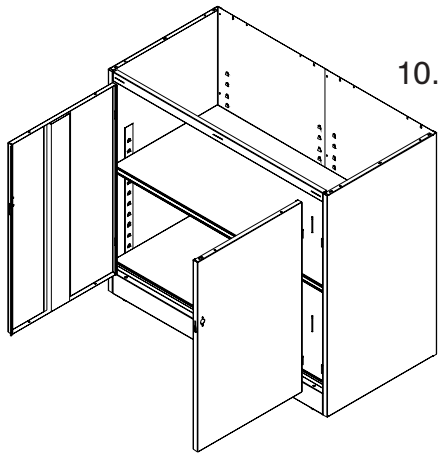
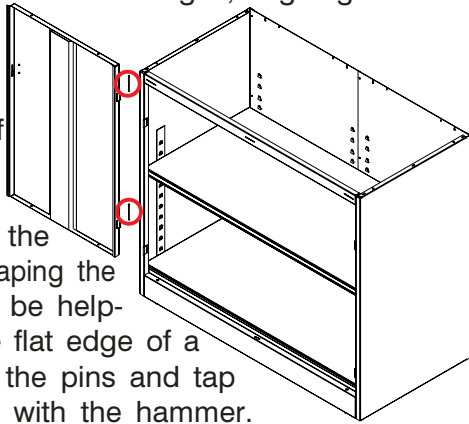
5. Insert two bolts into the outside holes on each end of the sill (Ref. No. 4). Attach the nuts, but do not tighten. Place the sill between the sides at the front of the cabinet, inserting the loose bolt heads into the two keyhole slots on each side. Make sure the bolt heads are fully pushed up into the bottom of the keyhole slots, as shown at right. Securely tighten the four bolt heads.
 

6. Place the header (Ref. No. 5) at the top of the unit and attach by inserting two nuts and two bolts through the holes at each end.
 

7. Place a shelf (Ref. No. 6) into the bottom lances, located on the back and sides of the unit. The flange on the sill will be just in front of the shelf.
 

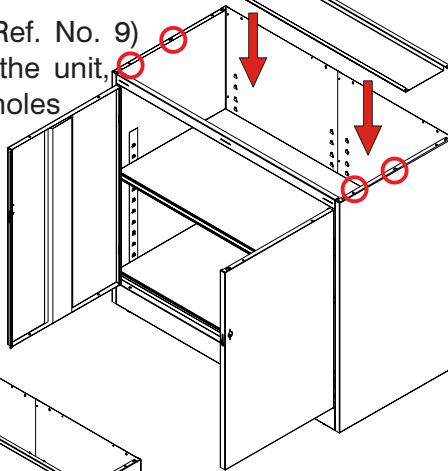
8. Set the unit upright and insert the remaining shelf at the desired level. Be sure that the edge with no slots is toward the cabinet front. (The slots on the other three sides will fit over the lances on the cabinet walls, which hold the shelf in place.) Make sure the rear of the shelf is seated into all four lances.
 

9. Attach the left door (Ref. No. 7) to the unit by placing the door on the hinges, aligning the holes, and driving two hinge pins (Ref. No. 7) into place. If the head of your hammer is too wide to hit the pins without scraping the cabinet, it may be helpful to place the flat edge of a screwdriver on the pins and tap the screwdriver with the hammer.

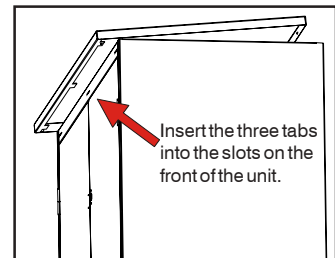
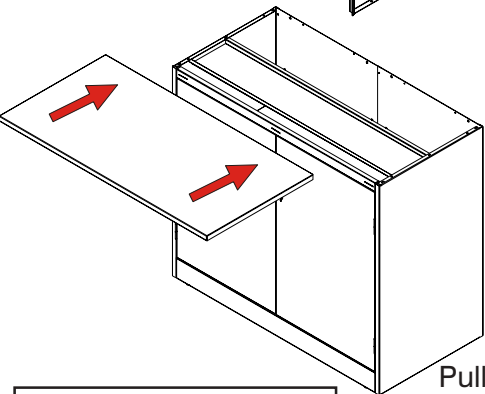


10. Attach the right door (Ref. No. 8) in the same manner as the left door, placing the door on the hinges and connecting by driving the remaining two hinge pins through the holes.

11. Lay the stiffener (Ref. No. 9) across the top of the unit, aligning the four holes with the holes on the left and right edges of the unit. Attach securely with four bolts and nuts.

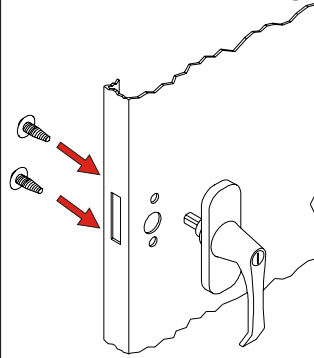


12. Attach the unit top (Ref. No. 10) by inserting the tabs on the top into the slots on the front of the unit (see inset at left). Pull the top over the back of the unit and attach with four bolts and nuts.

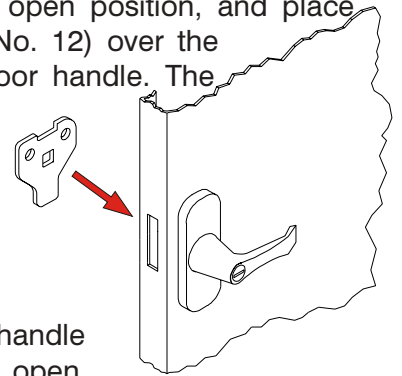


## Handle/Locking System Installation Instructions

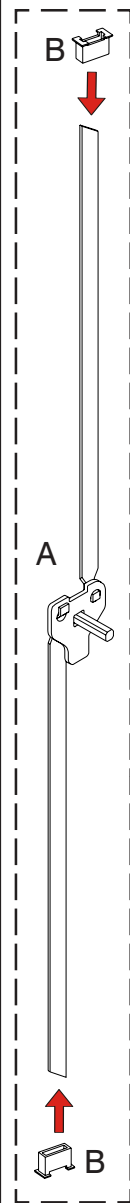
1. Place the locking handle (Ref. No. 11) on the right hand door and fasten with two #8-32 x 1/4 slotted bolts and lockwashers (Ref. No. 17).



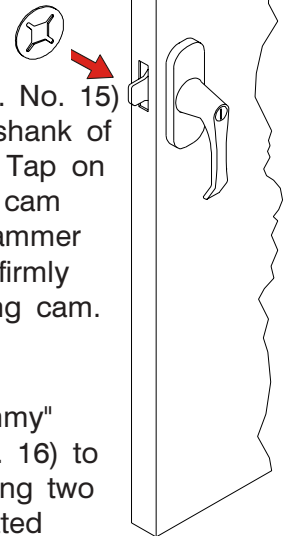
2. Turn the handle to the open position, and place the locking cam (Ref. No. 12) over the square shank of the door handle. The latch must be facing downward as shown.



3. With the handle still in the open position, hook the locking bars (Ref. No. 13) to the locking cam (see "A" at left). Then, hold the lock bars in position while sliding the nylon lock bar guide inserts (Ref. No. 14) over the lock bar ends and through the door slots (see "B" at left).

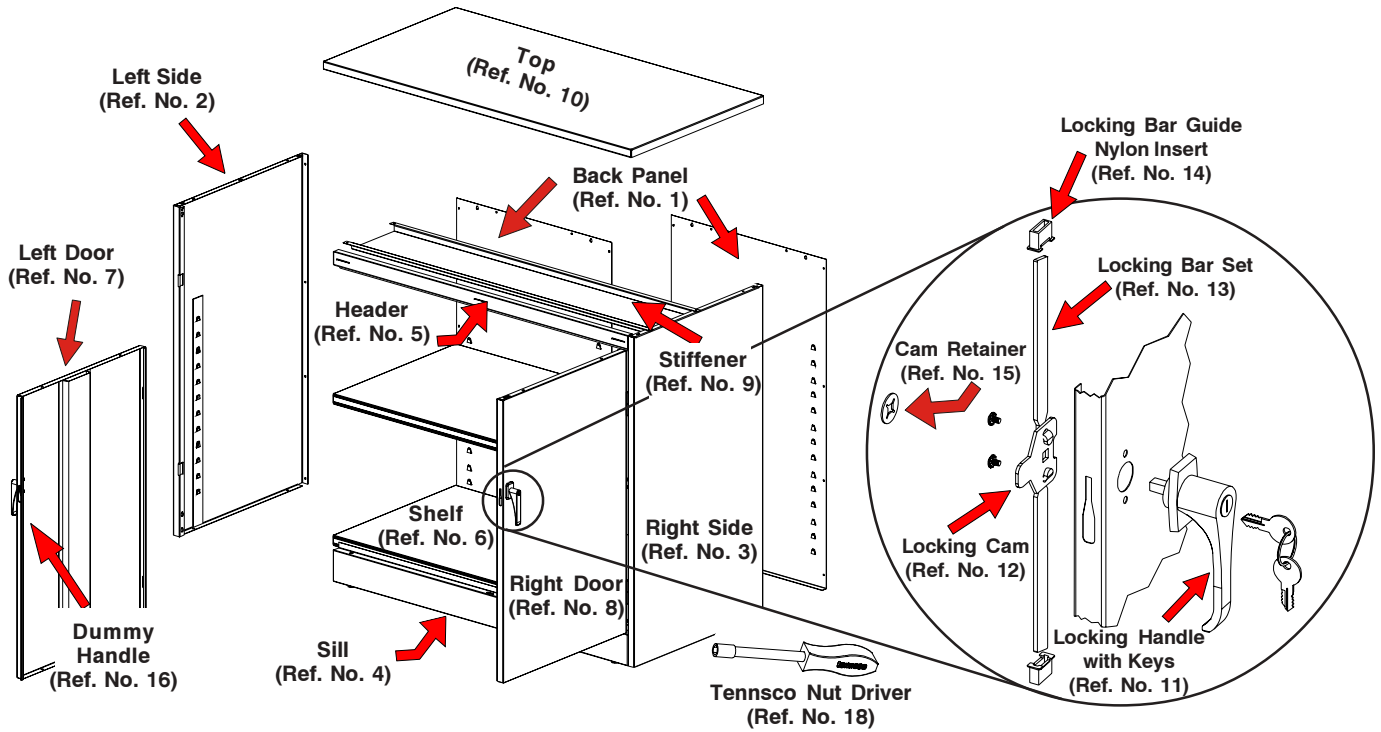


4. Place the locking cam retainer (Ref. No. 15) over the square shank of the door handle. Tap on the edges of the cam retainer with a hammer until retainer sits firmly against the locking cam.



5. Attach the "dummy" handle (Ref. No. 16) to the left door using two #8-32 x 1/4 slotted bolts and lockwashers (Ref. No. 17).

# REPLACEMENT PARTS



REF. NO.	DESCRIPTION	J1842A (18"d cabinet)		J2442A (24"d cabinet)	
		QTY.	PART NO.	QTY.	PART NO.
1	Back panel	2	042BA	2	042BA
2	Left side	1	042LS	1	044LS
3	Right side	1	042RS	1	044RS
4	Sill	1	055SI	1	055SI
5	Header	1	042HE	1	042HE
6	Shelf	2	306	2	307
7	Left door	1	042LD	1	042LD
8	Right door	1	042RD	1	042RD
9	Stiffener	1	042ST	1	042ST
10	Top	1	042TO	1	042TO
11	Locking handle w/keys & hardware	1	043LH	1	043LH
12	Locking cam*	1	944LC	1	944LC
13	Locking bar set	1	042LB	1	042LB
14	Locking bar guide insert (nylon)*	2	944GI	2	944GI
15	Cam retainer*	1	944CR	1	944CR
16	Dummy Handle	1	043DH	1	043DH
17	Bolt w/lockwasher #8-32 x 1/4"* (not shown above)	4	**	4	**
18	Tenssco nut driver	1	TOOL-2	1	TOOL-2
19	#8-32 x 3/8"bolts* (not shown above)	31	**	31	**
20	#8-32 nuts* (not shown above)	47	**	47	**

\*Included in Ref. No. 11, locking handle with keys and hardware (Part No. 043LH).      \*\*Available Locally

Tenssco makes every effort to ensure that all units ship complete with all parts and arrive undamaged. However, should your unit contain missing or damaged parts, replacements may be obtained directly from us. To obtain proper replacement parts follow the instructions below, or fill out the form at [www.tenssco.com/partsorder.html](http://www.tenssco.com/partsorder.html).

**TO OBTAIN PROPER REPLACEMENT PARTS, PLEASE PROVIDE THE FOLLOWING INFORMATION:**  
 (This information may be sent to us online using the form at [www.tenssco.com/replacement.cfm](http://www.tenssco.com/replacement.cfm))

- Model Number (J1842A or J2442A)
- Description of part(s) needed and part number(s) as shown in Parts List (above)
- Color (i.e. Medium Grey, etc.)
- Was item missing, or was it damaged?
- Purchase Date
- Your company name
- Contact person's name
- Who the product was purchased from
- Your shipping address

**Tenssco Corp., P.O. Box 1888, Dickson, TN 37056-1888 Customer Service: (866) 446-8686 Fax: (866) 445-7260**  
 If requesting parts by telephone, ask for customer service and have as much of the above information ready as possible.