



ASSEMBLY INSTRUCTIONS & PARTS MANUAL #2200709

## SERVICE CART

Model Nos. SC1630 and SC2436

Tennsco Corp., Dickson, TN 37056-1888 • (615) 446-8000

**RETAIN INSTRUCTIONS FOR FUTURE REFERENCE!**



### LIMITED WARRANTY

Tennsco warrants goods purchased hereunder to be free of defects in materials and workmanship for a period of one (1) year from the date of shipment, hereunder. This warranty shall not apply in the event goods are damaged as a result of misuse, abuse, neglect, accident, improper application, modification or repair by persons not authorized by Seller, where goods are damaged during shipment, or where the date stamps on the goods have been defaced, modified or removed. UNLESS CONSIDERED UNENFORCEABLE OR UNLAWFUL UNDER APPLICABLE LAW:

- a. ALL IMPLIED WARRANTIES, INCLUDING BUT NOT LIMITED TO WARRANTIES OF MERCHANTABILITY AND FITNESS FOR A PARTICULAR PURPOSE ARE HEREBY EXCLUDED.
- b. BUYER'S REMEDY, IF ANY, FOR ANY DEFECTIVE GOODS SHALL BE LIMITED TO A REFUND BY SELLER OR REPLACEMENT OF THE GOODS AT SELLER'S OPTION, AND SHALL IN NO EVENT INCLUDE DAMAGES OF ANY KIND, WHETHER INCIDENTAL, CONSEQUENTIAL OR OTHERWISE.

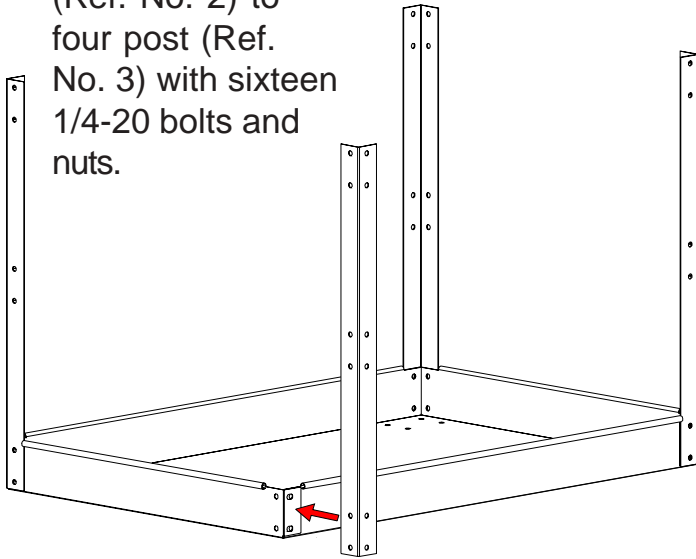
NO GOODS ACCEPTED FOR RETURN WITHOUT PRIOR APPROVAL. Seller shall have the right to inspect any goods claimed to be defective at Buyer's place of business or require Buyer to return the goods to Seller for inspection on Seller's premises. Transportation charges covering returned goods will be borne by Seller only if such goods are proven to be defective, are covered by this warranty and are returned within the warranty period stated above.

TENNSCO Corp., P.O. BOX 1888, DICKSON, TN 37056-1888  
(615) 446-8000 or (866) 446-8686 (toll free)  
Website: [www.tennsco.com](http://www.tennsco.com) E-mail: [Info@tennsco.com](mailto:Info@tennsco.com)

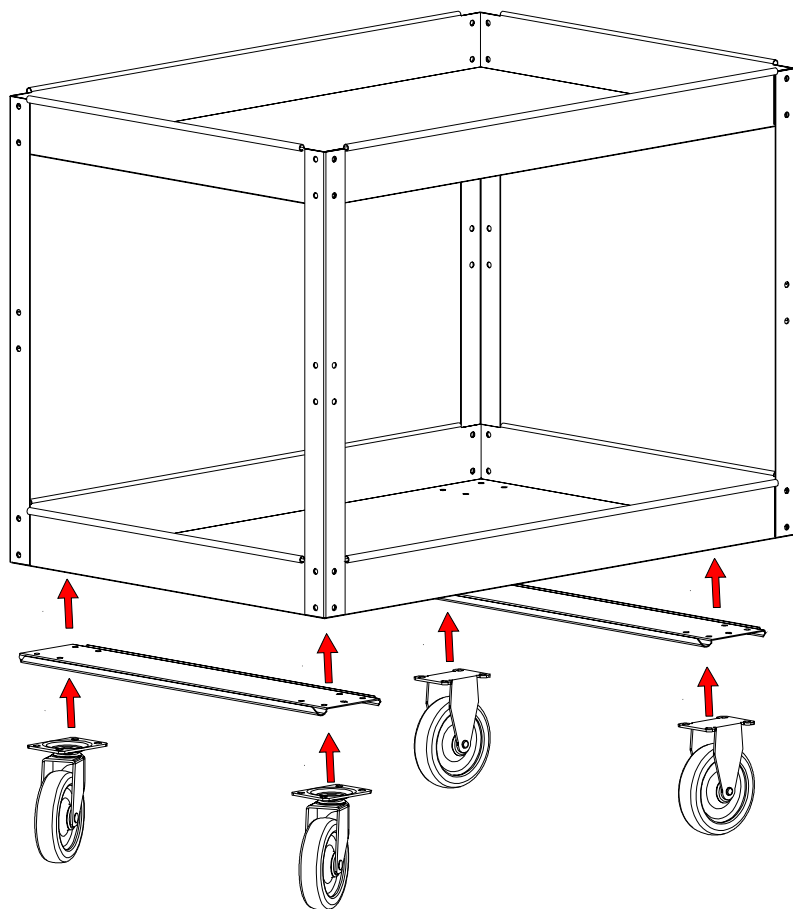
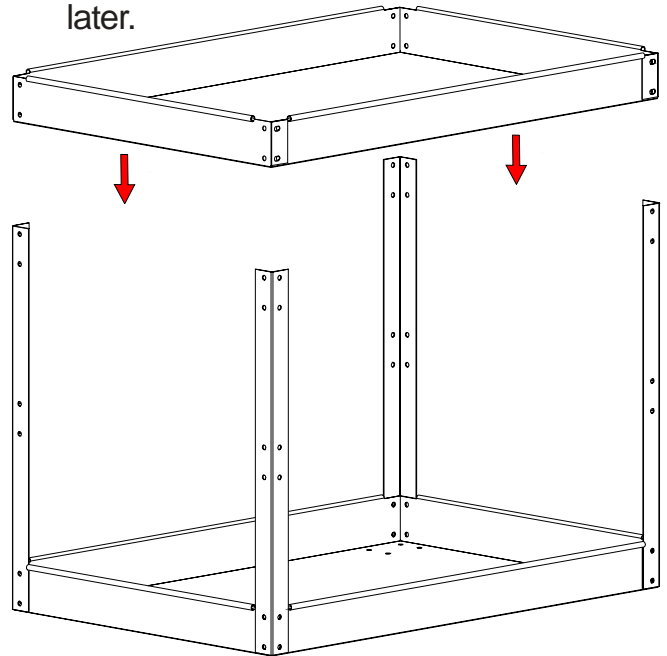
# ASSEMBLY INSTRUCTIONS FOR SERVICE CART

Tools required one flat tip screwdriver and one 7/16" wrench

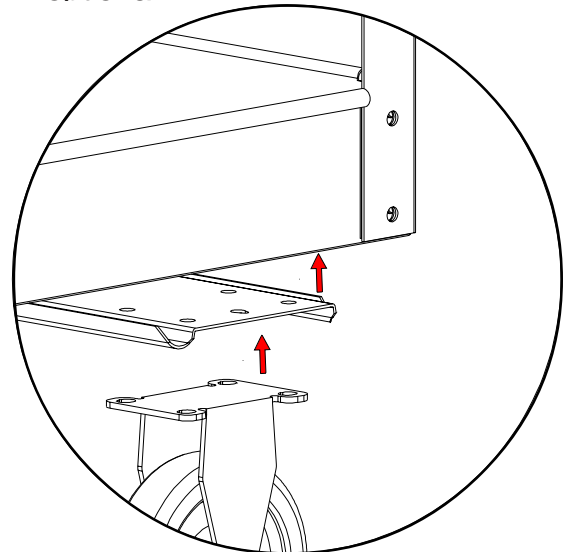
1. Bolt lower tray (Ref. No. 2) to four post (Ref. No. 3) with sixteen 1/4-20 bolts and nuts.

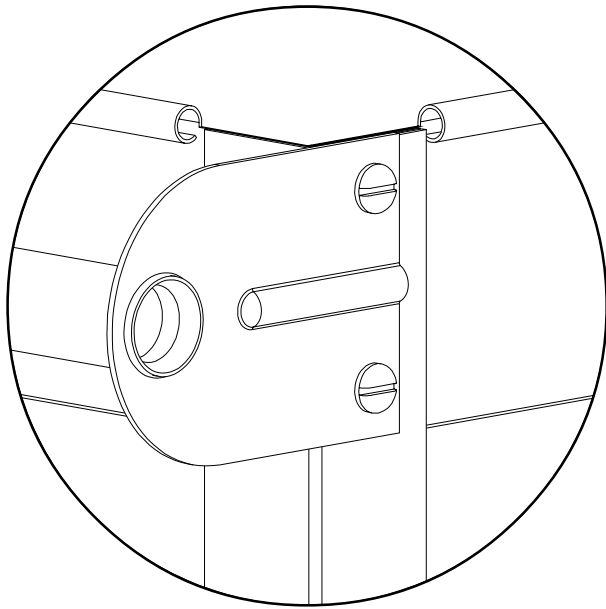


2. Bolt upper tray (Ref. No. 1) to post with twelve bolts and nuts, do not attach tray to post where the handle brackets (Ref. No. 7) mount until later.

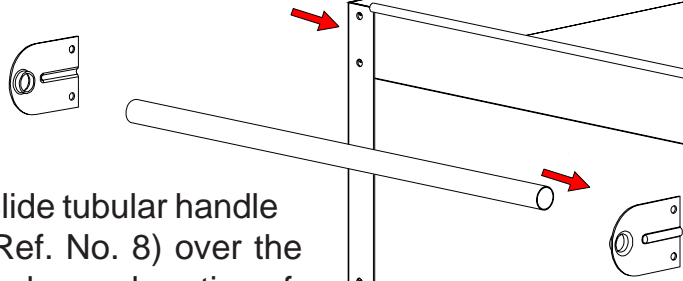


3. Place caster support (Ref. No. 4) between lower tray and caster top plates and secure with 1/4-20 bolts and nuts. Caster position optional.

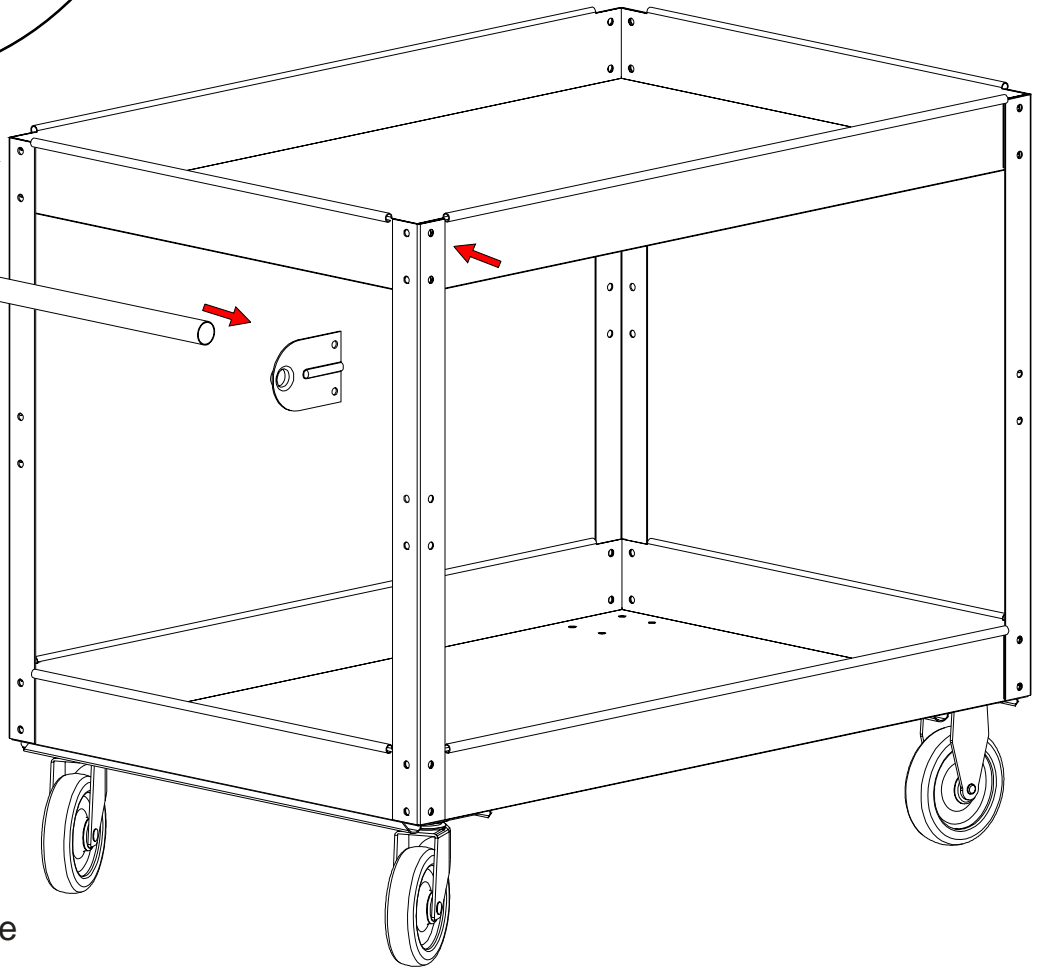




4. Attach the right handle bracket (Ref. No.7) to outside of post using two nuts and bolts.



5. Slide tubular handle (Ref. No. 8) over the embossed section of the bracket. While still holding the handle, place the second handle bracket into position and bolt to the post as you did in step 4.

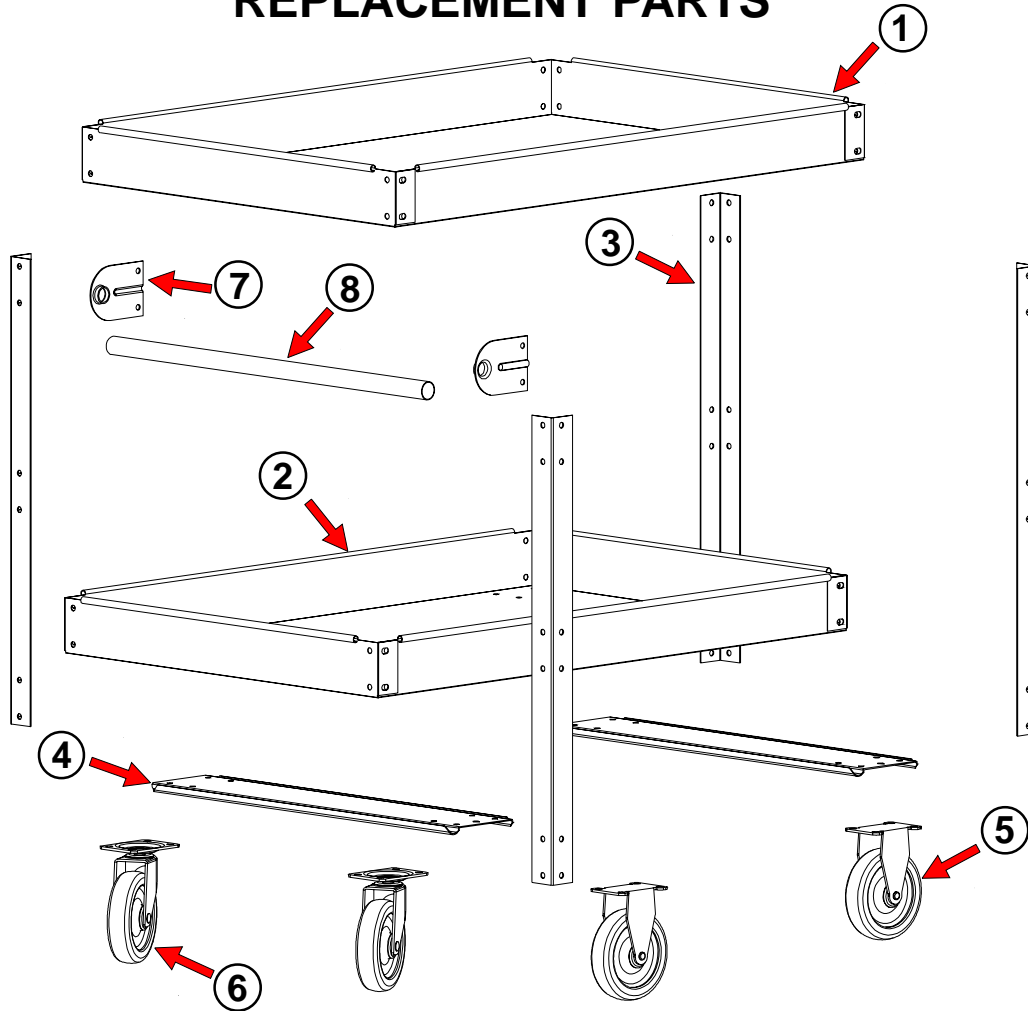


6. After checking the entire cart assembly for squareness, tighten all bolts and nuts.

7. Your service cart is now assembled and ready for use.

**NOTE: Pulling the cart can cause serious injury; when moving the cart, always push the cart in front of you using the provided handle.**

# REPLACEMENT PARTS



REF. NO.	DESCRIPTION	PART NO.	QUANTITY
1	Upper Tray	ST-ww*	1
2	Lower Tray	SCLT-ww*	1
3	Upright Post	UP-1	4
4	Caster Support	CBS-ww*	2
5	Rigid Caster	SCCK-1	2
6	Swivel Caster	HARDW30	2
7	Handle Bracket	HB-1	2
8	Handle	RH-ww	1
9	Service Cart Hardware Pack	SCHP-1	1

\* "ww" indicates unit width

We make every effort to ensure that all units ship complete and arrive undamaged. However, should your unit contain missing or damaged parts, replacements may be obtained directly from us. To obtain proper replacement parts, follow the instructions below, or fill out the form at [www.tennsco.com/partsorder.html](http://www.tennsco.com/partsorder.html).

## TO OBTAIN PROPER REPLACEMENT PARTS, PLEASE PROVIDE THE FOLLOWING INFORMATION:

- Model Number
- Description of part(s) needed and part number(s) as shown in Parts List (above)
- Color (i.e. Medium Grey, Sand, etc.)
- Was item missing, or was it damaged?
- Purchase Date
- Your company name
- Contact person's name
- Company the product was purchased from

Tennsco Corp., P.O. Box 1888, Dickson, TN 37056-1888 E-mail address: [info@tennsco.com](mailto:info@tennsco.com)

Customer Service: (866) 446-8686 Fax: (866) 445-7260

If requesting parts by telephone, ask for customer service and have as much of the above information ready as possible.