



L&T 72" WIDE SLIDING DOOR UNIT ASSEMBLY INSTRUCTIONS

Tennsco Corp., Dickson, TN 37056-1888 • (615) 446-8000

RETAIN INSTRUCTIONS FOR FUTURE REFERENCE!



LIMITED WARRANTY

Tennsco warrants goods purchased hereunder to be free of defects in materials and workmanship for a period of one (1) year from the date of shipment, hereunder. This warranty shall not apply in the event goods are damaged as a result of misuse, abuse, neglect, accident, improper application, modification or repair by persons not authorized by Seller, where goods are damaged during shipment, or where the date stamps on the goods have been defaced, modified or removed. UNLESS CONSIDERED UNENFORCEABLE OR UNLAWFUL UNDER APPLICABLE LAW:

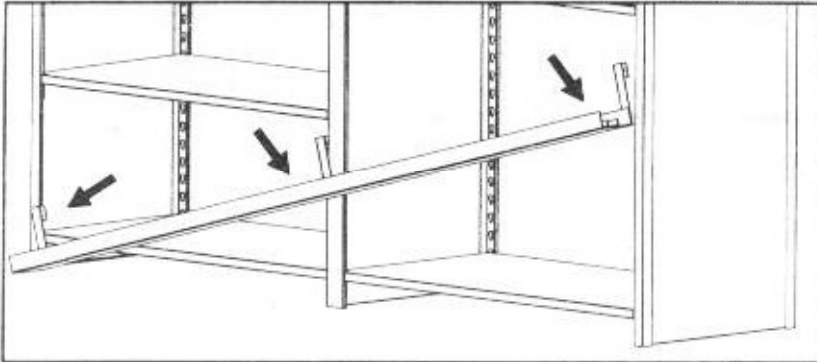
- a. ALL IMPLIED WARRANTIES, INCLUDING BUT NOT LIMITED TO WARRANTIES OR MERCHANTABILITY AND FITNESS FOR A PARTICULAR PURPOSE ARE HEREBY EXCLUDED:
- b. BUYERS REMEDY, IF ANY, FOR ANY DEFECTIVE GOODS SHALL BE LIMITED TO A REFUND BY SELLER OR REPLACEMENT OF THE GOODS AT SELLER'S OPTION, AND SHALL IN NO EVENT INCLUDE DAMAGES OF ANY KIND, WHETHER INCIDENTAL, CONSEQUENTIAL OR OTHERWISE.

NO GOODS ACCEPTED FOR RETURN WITHOUT PRIOR APPROVAL. Seller shall have the right to inspect any goods claimed to be defective at Buyers place of business or require Buyer to return the goods to Seller for inspection on Seller's premises. Transportation charges covering returned goods will be borne by Seller only if such goods are proven to be defective, are covered by this warranty and are returned within the warranty period stated above.

TENNSCO Corp., P.O. BOX 1888, DICKSON, TN 37056-1888
(615) 446-8000 or (866) 446-8686 (toll free)
Website: www.tennsco.com E-mail: Info@tennsco.com

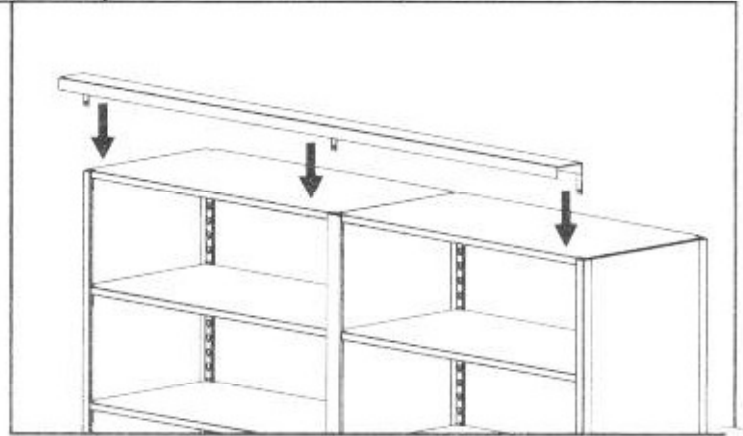
L&T 72" WIDE SLIDING DOOR KIT INSTRUCTIONS

Tools required: one flat-head screwdriver and a step stool or ladder for working with top door track.

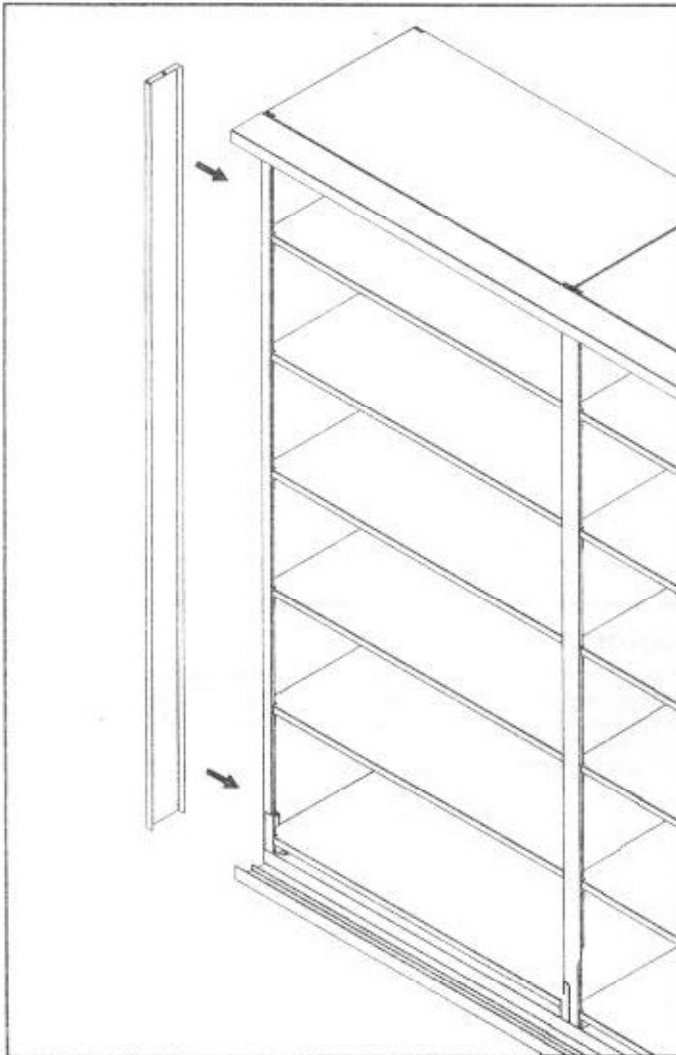


Step 1. Swing bottom track into position, take care to hook clips around post as shown.

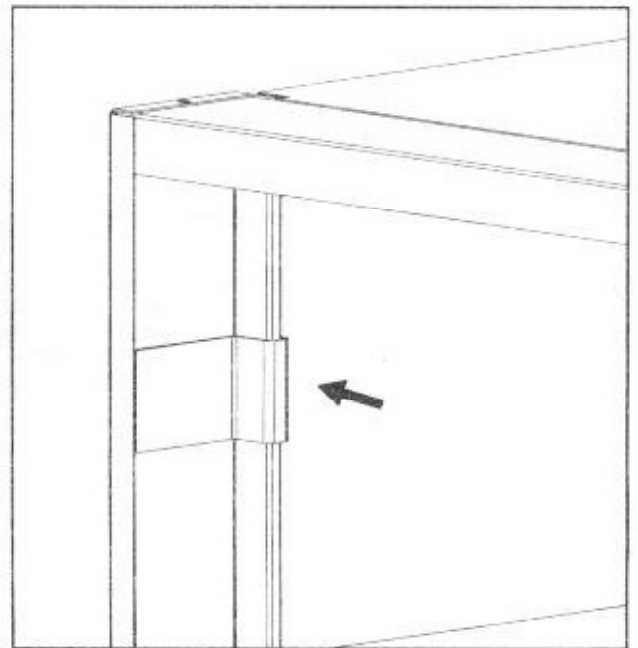
Step 2. Using a ladder or stepstool, drop top track into position by inserting prongs inside hollow part of upright.



Step 3. Attach left side jamb by hooking top flange of side jamb over top track, and pressing jamb flush with post.



Step 4. Secure jamb by pressing three steel clips over edge of post and flange of jamb - one at the top, one in the middle, and one at the bottom. Insert screws and adjust finger tight. When all three clips are in place, tighten screws with flat-head screwdriver.



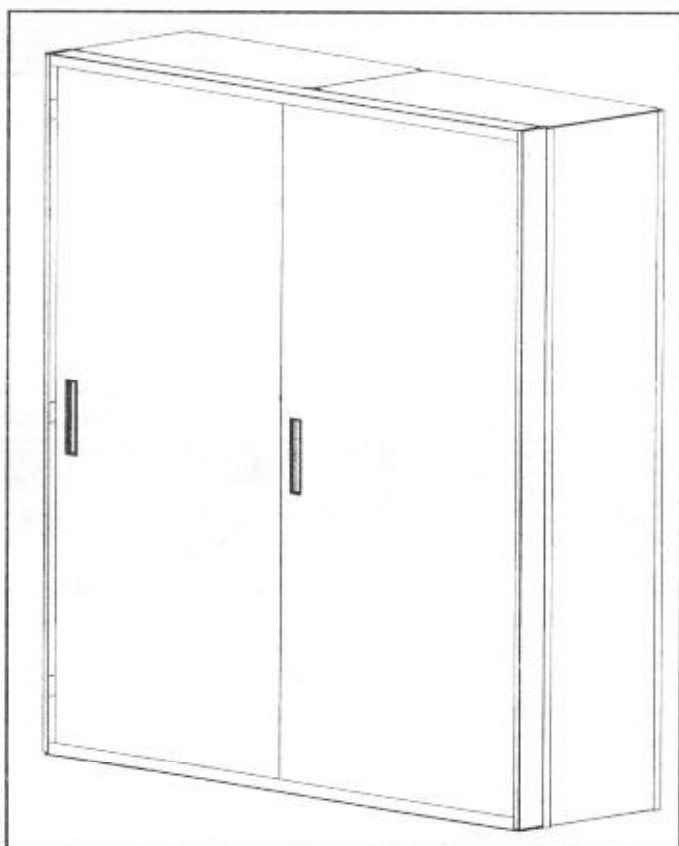


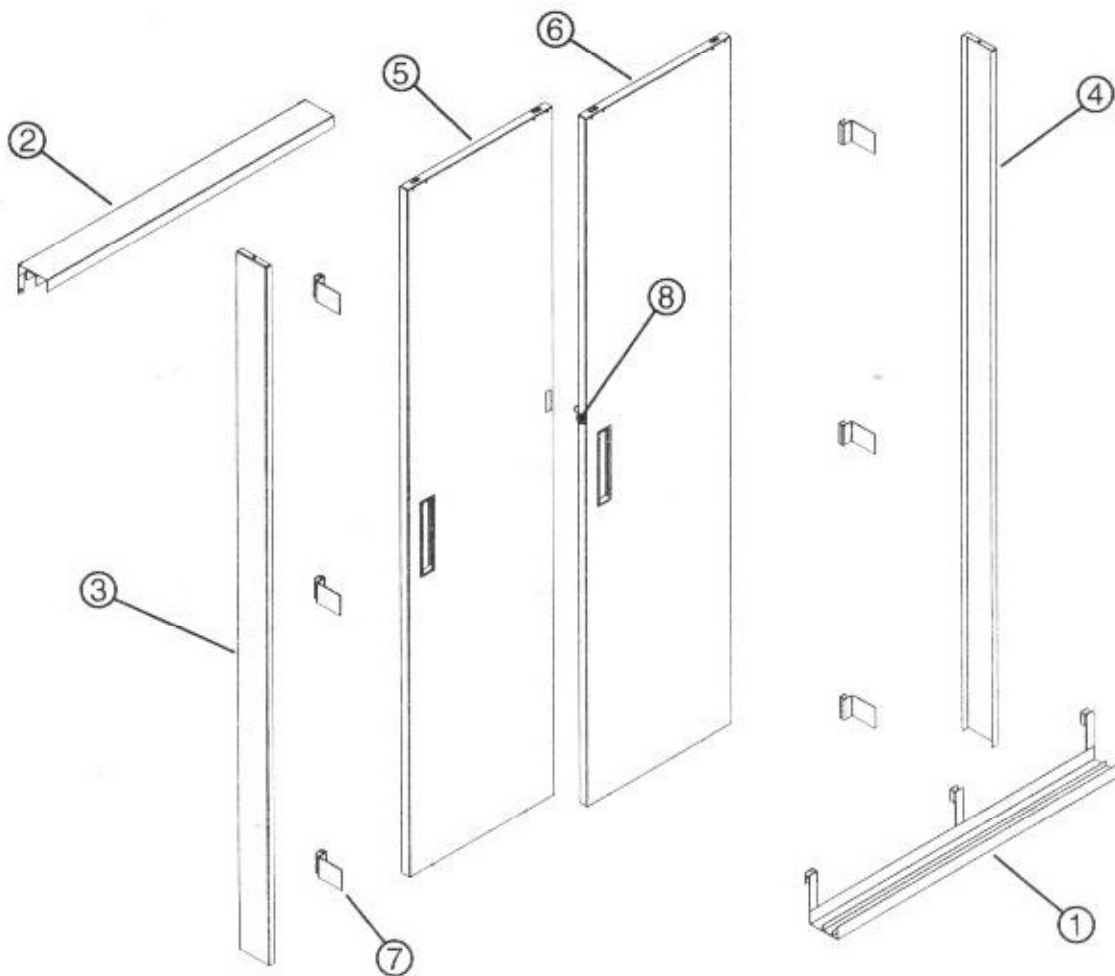
Step 5. Start left-hand door on track by resting grooved rollers on rear channel edge. (The left-hand door may be identified by the rectangular cut-out hole in the door front, toward the right side.) Make sure the top of the door goes into the middle channel at the top.

Step 6. Start the right-hand door on the track. (The right-hand door may be identified by the round hole on the left edge of the door, where the lock will be inserted.)

Step 7. Push all doors into position. Install the right-hand jamb in the same manner as you installed the left-hand jamb in step 3.

Step 8. Attach lock onto the left side of the right-hand door. Your sliding door unit is now ready to use.





REPLACEMENT PARTS

| REF. NO. | DESCRIPTION | PART NO. | QTY. |
|----------|------------------------------|----------|------|
| 1 | Bottom track | ---- | 1 |
| 2 | Top track | ---- | 1 |
| 3 | Left side jamb | ---- | 1 |
| 4 | Right side jamb | ---- | 1 |
| 5 | Left door | ---- | 1 |
| 6 | Right door | ---- | 1 |
| 7 | Jamb clip | ---- | 6 |
| 8 | Cam lock with key | CL-1 | 1 |
| 9 | 1/4 - 20 screw for jamb clip | ---- | 9 |

Call factory for replacement parts, Double Entry unit has only one bracket per door.

We make every effort to ensure that all units ship complete and arrive undamaged. However, should your unit contain missing or damaged parts, replacements may be obtained directly from us. To obtain proper replacement parts, follow the instructions below, or fill out the form at www.tennsco.com/partsorder.html.

TO OBTAIN PROPER REPLACEMENT PARTS, PLEASE PROVIDE THE FOLLOWING INFORMATION:

- Model Number
- Purchase Date
- Description of part(s) needed and part number(s) as shown in Parts List (above)
- Your company name
- Color (i.e. Medium Grey, Sand, etc.)
- Contact person's name
- Was item missing, or was it damaged?
- Company the product was purchased from

Tennsco Corp., P.O. Box 1888, Dickson, TN 37056-1888 E-mail address: info@tennsco.com

Customer Service: (866) 446-8686 Fax: (866) 445-7260

If requesting parts by telephone, ask for customer service and have as much of the above information ready as possible.