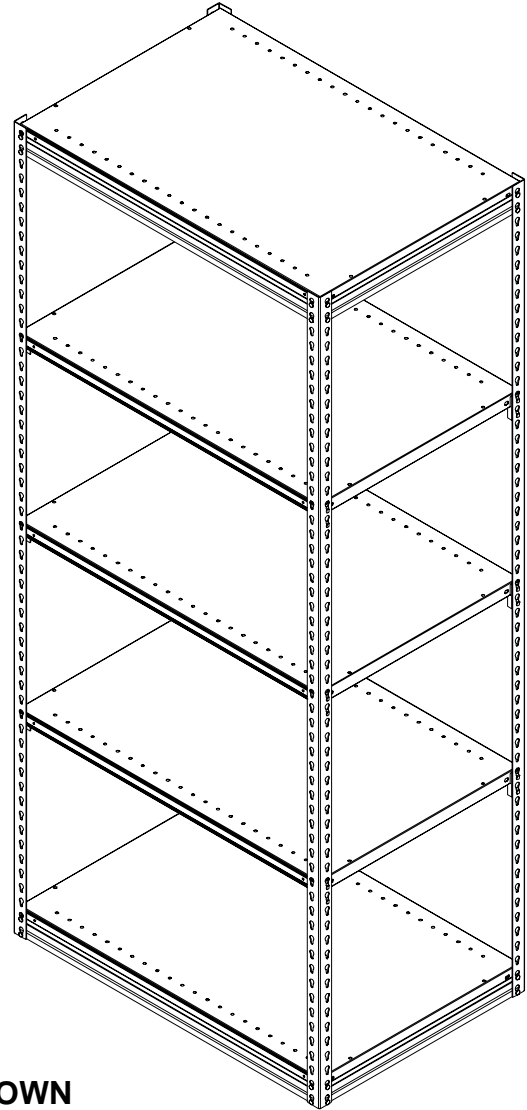


## Z-LINE SHELVING WITH STEEL SHELVES

Tennsco Corp., Dickson, TN 37056-1888 • (615) 446-8000

### RETAIN INSTRUCTIONS FOR FUTURE REFERENCE!

**Tennsco** Z Line steel shelving is used for general storage of boxes and other items. The shelves are adjustable on 1 1/2" centers. They have a 1 5/16" profile for maximum storage on each level. The VDRS supports at the top and bottom of the unit provide added stability for the unit. The starter unit uses four standard upright post and the add-on unit comes with two "T" post to attach the units together. The unit is 84" tall and comes in widths of 36", 42", and 48" and depths of 12", 18", 24" and 36" to fit many different storage needs.



**ZM7-3624S-5D UNIT SHOWN**

#### LIMITED WARRANTY

Tennsco warrants goods purchased hereunder to be free of defects in materials and workmanship for a period of one (1) year from the date of shipment, hereunder. This warranty shall not apply in the event goods are damaged as a result of misuse, abuse, neglect, accident, improper application, modification or repair by persons not authorized by Seller, where goods are damaged during shipment, or where the date stamps on the goods have been defaced, modified or removed. UNLESS CONSIDERED UNENFORCEABLE OR UNLAWFUL UNDER APPLICABLE LAW:

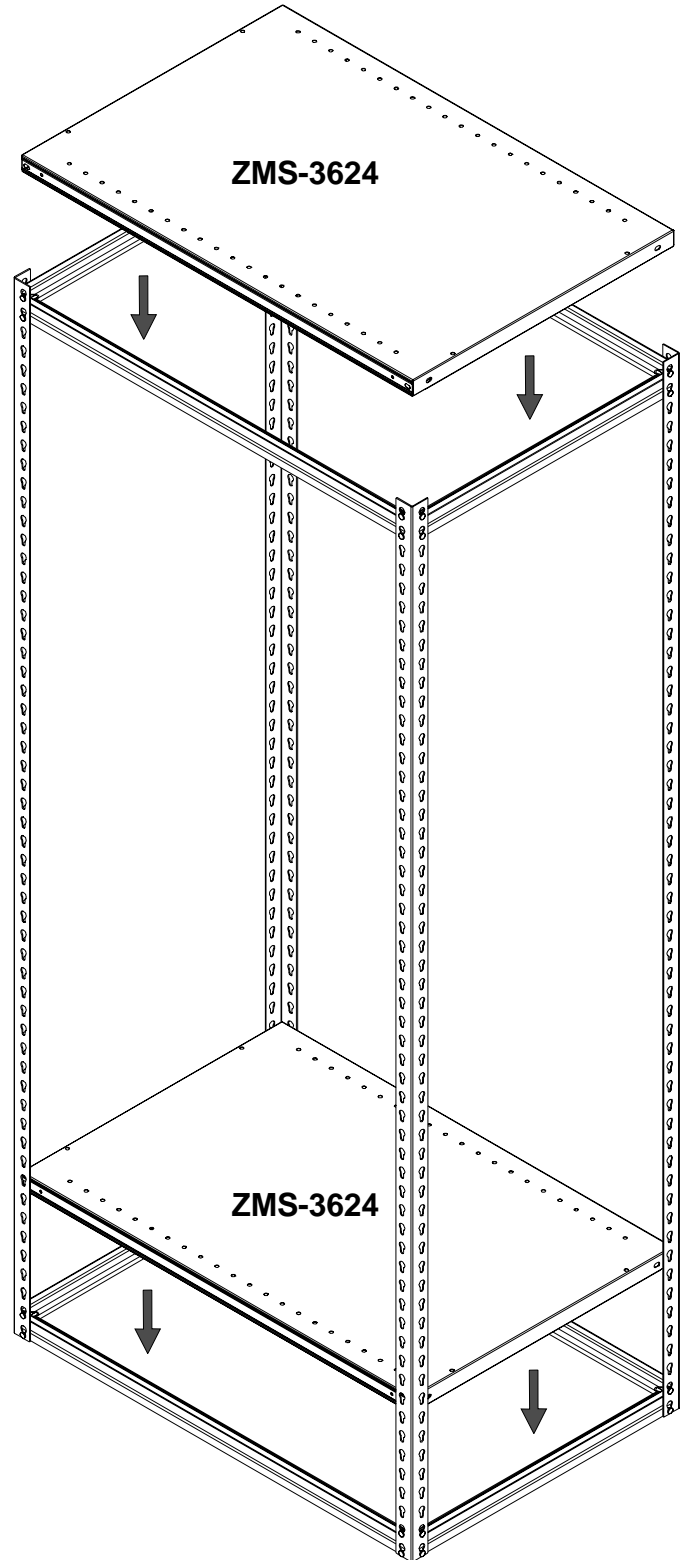
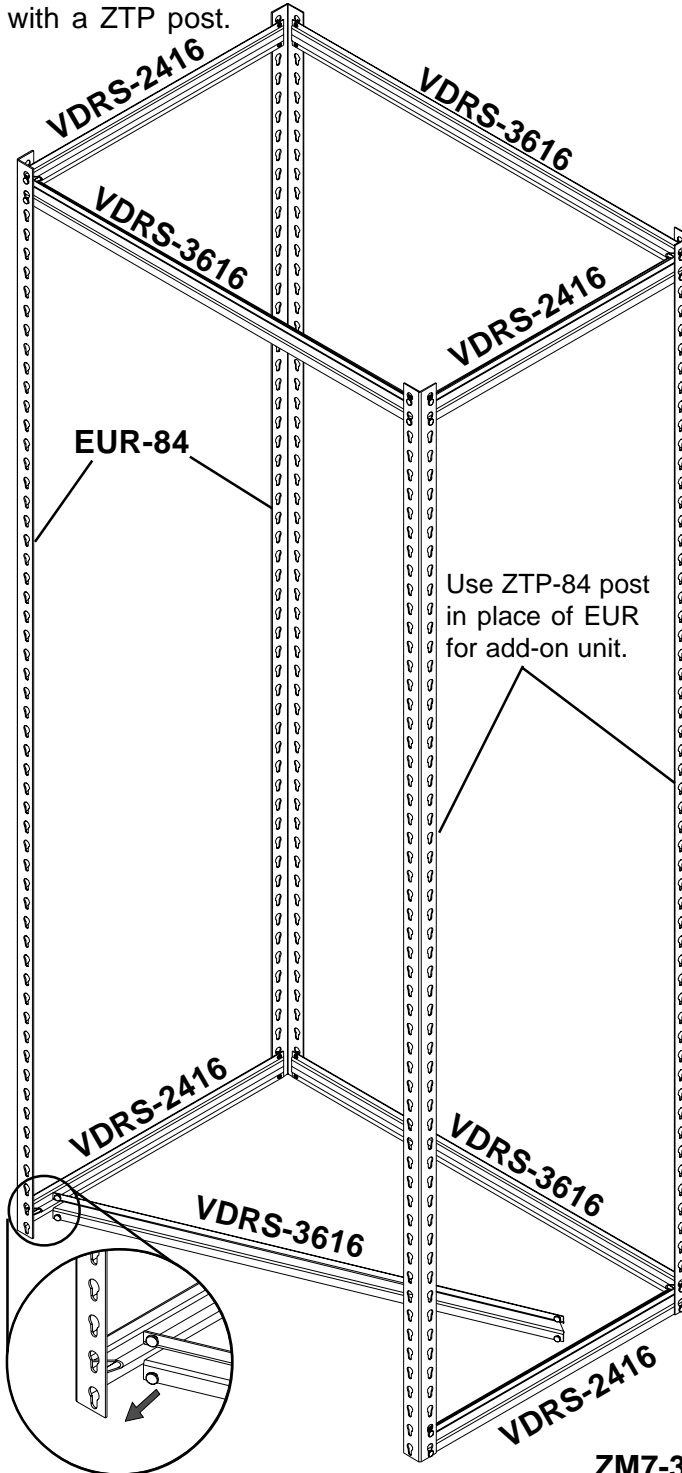
- a. ALL IMPLIED WARRANTIES, INCLUDING BUT NOT LIMITED TO WARRANTIES OR MERCHANTABILITY AND FITNESS FOR A PARTICULAR PURPOSE ARE HEREBY EXCLUDED:
- b. BUYERS REMEDY, IF ANY, FOR ANY DEFECTIVE GOODS SHALL BE LIMITED TO A REFUND BY SELLER OR REPLACEMENT OF THE GOODS AT SELLER'S OPTION, AND SHALL IN NO EVENT INCLUDE DAMAGES OF ANY KIND, WHETHER INCIDENTAL, CONSEQUENTIAL OR OTHERWISE.

NO GOODS ACCEPTED FOR RETURN WITHOUT PRIOR APPROVAL. Seller shall have the right to inspect any goods claimed to be defective at Buyers place of business or require Buyer to return the goods to Seller for inspection on Seller's premises. Transportation charges covering returned goods will be borne by Seller only if such goods are proven to be defective, are covered by this warranty and are returned within the warranty period stated above.

TENNSCO Corp., P.O. BOX 1888, DICKSON, TN 37056-1888  
(615) 446-8000 or (866) 446-8686 (toll free)  
Website: [www.tennsco.com](http://www.tennsco.com) E-mail: [Info@tennsco.com](mailto:Info@tennsco.com)

# ASSEMBLY OF Z LINE STEEL SHELVING UNIT

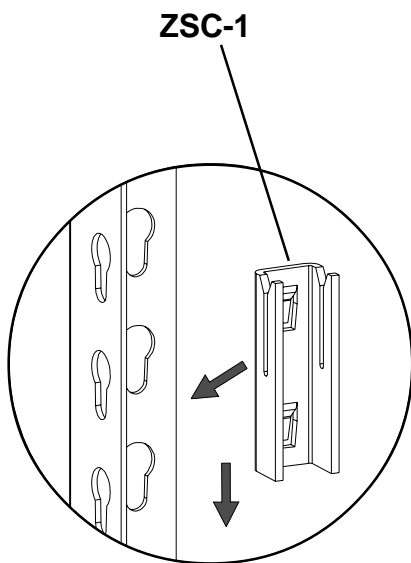
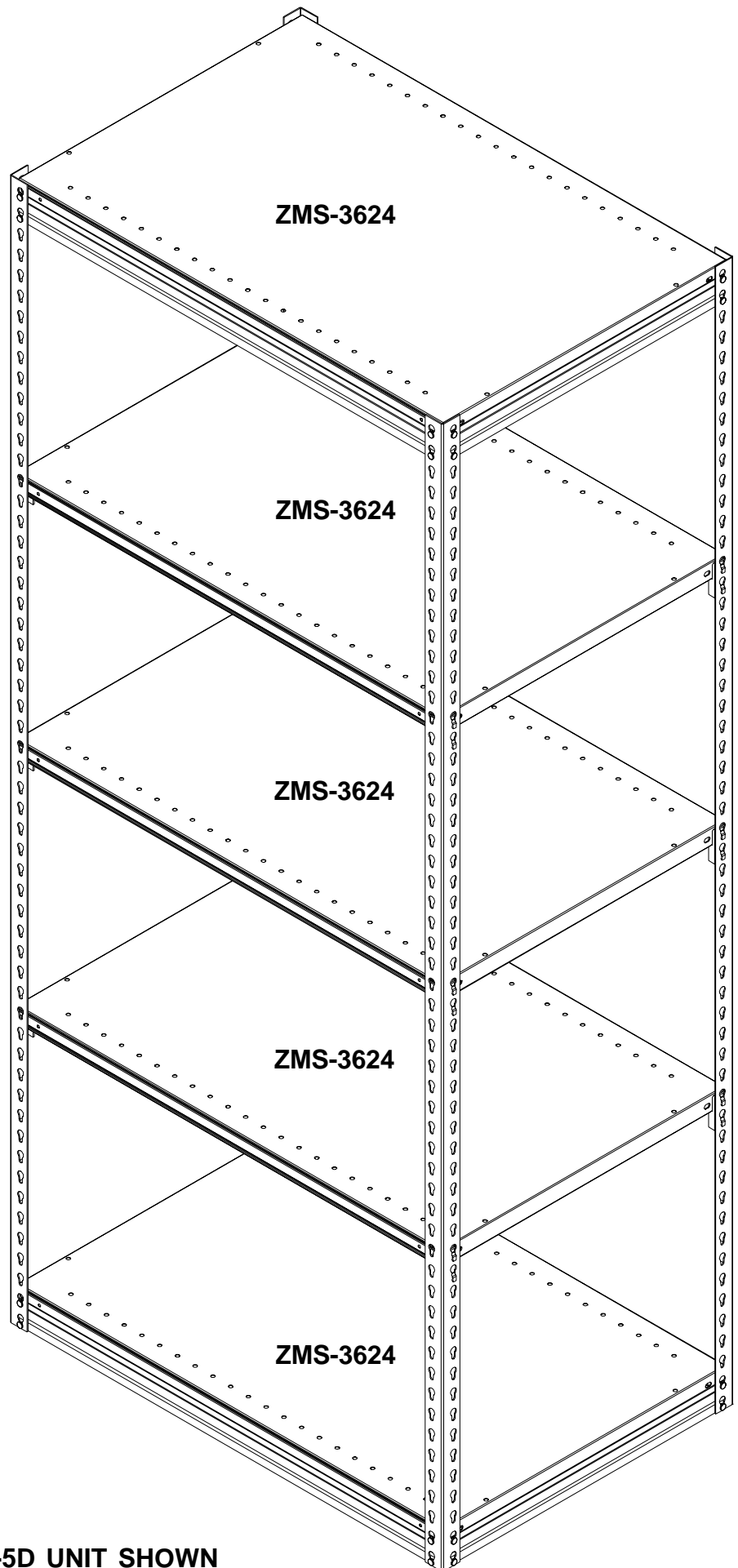
1. Unpack and locate all parts. You can identify them by the views shown below and the view on the rear of the cover sheet.
2. Using the 4 EUR post and the VDRS's assemble the framework of the unit as shown below. The VDRS's are installed by inserting the rivets into the keyhole slots and driving the VDRS down until the rivets are seated in the bottom of the slots. If you are creating a starter unit and add-on units then you will need to replace the EUR marked with a ZTP post.
3. After building the framework place a steel shelf on the lower level and on the top level of the VDRS supports. These shelves will lay directly on the flat ledge of the support.



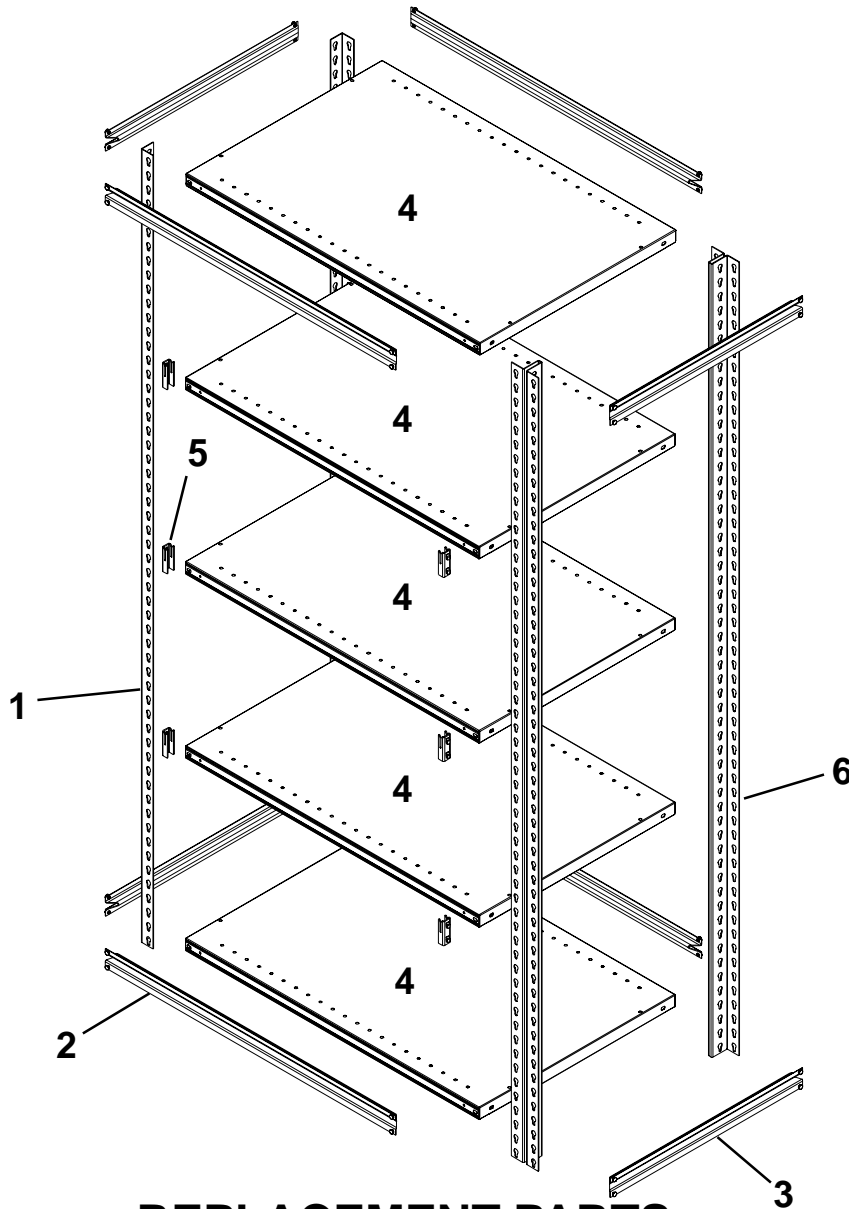
ZM7-3624S-5D UNIT SHOWN

4. Next attach the ZSC-1 shelf clips to the EUR post as shown. Be sure to drive the clips down until they are seated firmly then install the shelf on top of the four clips. Each shelf will use four clips.
5. If you are attaching a add-on unit to this unit. Attach the VDRS supports to the ZTP post and construct the add-on unit the same way that you did the starter unit.

Note: Add-on units will share front to back supports with starter unit on the side that the starter unit is connected.



**ZM7-3624S-5D UNIT SHOWN**



## REPLACEMENT PARTS

REF. NO.	DESCRIPTION	PART NO.	STARTER UNIT	ADD-ON UNIT
1	Standard angle post	EUR-84	4	0
2	Shelf Support left to right	VDRS-XX16	4	4
3	Shelf Support front to back	VDRS-XX16	4	2
4	Shelf	ZSM-XXXX	5	5
5	Shelf clip	ZSC-1	12	12
6	Add-on post	ZTP-84	0	2

We make every effort to ensure that all units ship complete and arrive undamaged. However, should your unit contain missing or damaged parts, replacements may be obtained directly from us. To obtain proper replacement parts, follow the instructions below, or fill out the form at [www.tennsco.com/partsorder.html](http://www.tennsco.com/partsorder.html).

### TO OBTAIN PROPER REPLACEMENT PARTS, PLEASE PROVIDE THE FOLLOWING INFORMATION:

- Model Number
- Description of part(s) needed and part number(s) as shown in Parts List (above)
- Color (i.e. Medium Grey, Sand, etc.)
- Was item missing, or was it damaged?
- Purchase Date
- Your company name
- Contact person's name
- Company the product was purchased from

Tennsco Corp., P.O. Box 1888, Dickson, TN 37056-1888 E-mail address: [info@tennsco.com](mailto:info@tennsco.com)

Customer Service: (866) 446-8686 Fax: (866) 445-7260

If requesting parts by telephone, ask for customer service and have as much of the above information ready as possible.