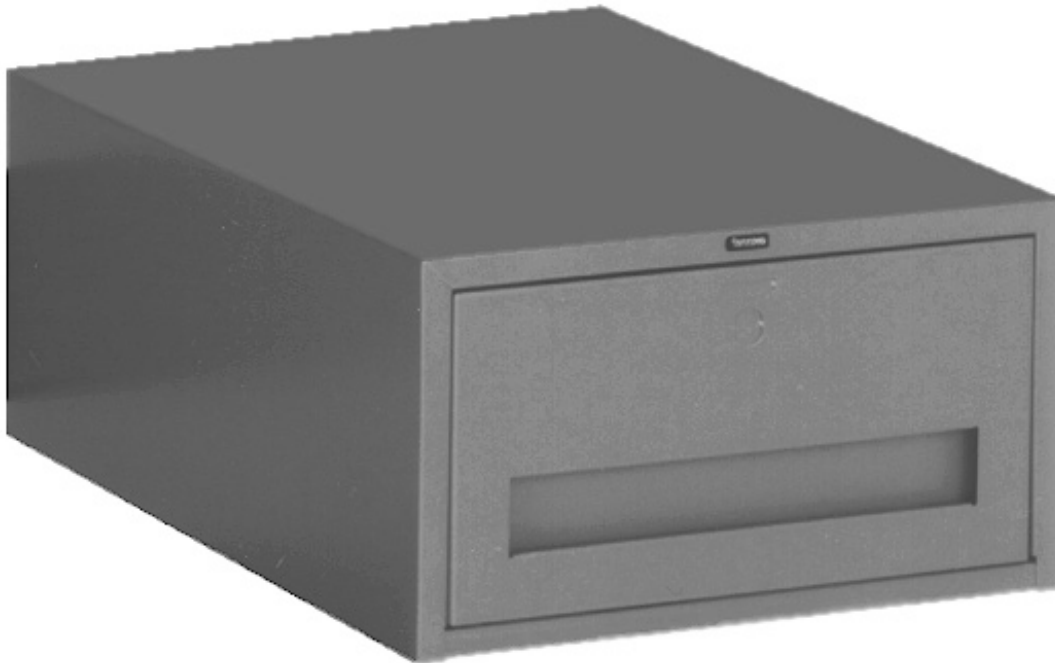


**STACKABLE DRAWER UNIT
Model WBD-1**

**READ INSTRUCTIONS CAREFULLY BEFORE ATTEMPTING TO
ASSEMBLE YOUR Tennsco STACKABLE DRAWER UNITS.
RETAIN INSTRUCTIONS FOR FUTURE REFERENCE!**



DESCRIPTION

The **Tennsco** stackable drawer unit is a self-contained unit which may be stacked on top of a bench or mounted underneath. Drawers come equipped with adjustable divider, removable parts tray, nylon roller bearings for ease of operation and aluminum drawer pulls, padlock hasp and knock out for optional cam lock (order CL-1 separately). Mounting brackets for attaching to steel top are included.

GENERAL SAFETY INFORMATION

Some parts may have sharp edges. CARE must be taken when handling various pieces to avoid injury. For safety, wear a pair of work gloves when assembling or performing any maintenance on workbench.

SPECIFICATIONS

Overall Dimensions

Housing.....	15"w x 18"d x 8 1/4"h
Drawer	13"w x 16 1/2"d x 6 3/8"h
Tray.....	12 1/2"w x 7 1/2"d x 1"h

Basic Construction

Drawer and housing	20 to 24 gauge steel
Track and rail.....	18 gauge steel
Mounting brackets	14 gauge steel
Tray	Black Polymer

Weight.....24 lbs.

ColorsMedium Grey, Light Grey, Sand

Step By Step Installation Instructions

(Refer to figures at right)

Tools required: Slotted screwdriver, Phillips screwdriver, and 7/16" wrench or nut driver.

ASSEMBLY FOR STEEL TOP:

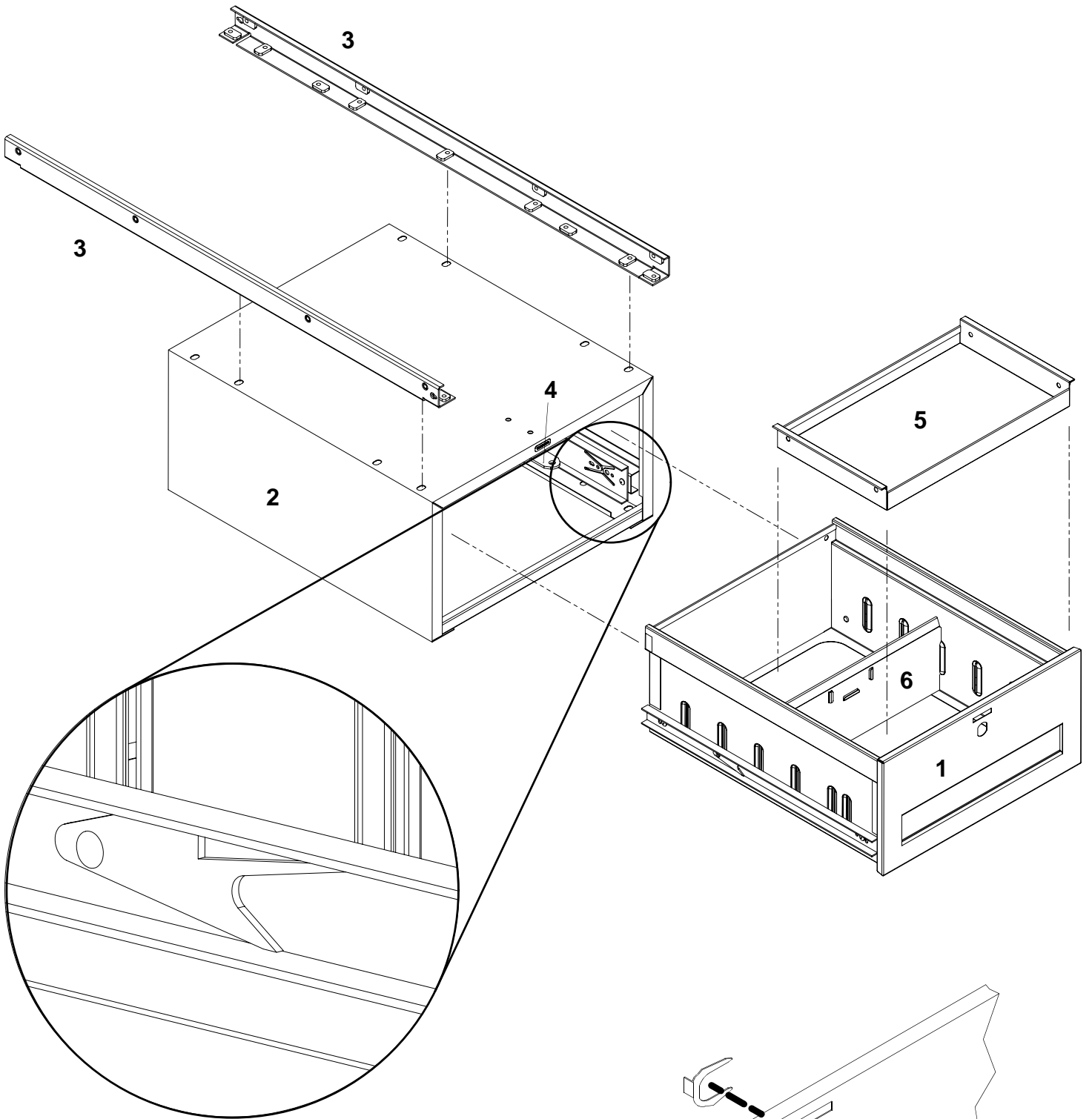
1. Remove drawer (Ref. No. 1) from housing (Ref. No. 2) by first pulling it to the full extent that the suspensions allow. Once the drawer is fully open, move the plastic lever inside the suspension member to release the suspension sections. (On one side of the suspension you will need to move the lever up; on the opposite side, you will need to move the lever down.)
2. Secure one mounting bracket (Ref. No. 3) to left side of housing with two 1/4"-20 bolts and nuts. **NOTE:** Mounting brackets are sold separately. On 30" deep top, the bracket should extend 10 1/2" behind housing; on 36" deep top, it should extend 16 1/2".
3. Attach second mounting bracket to welded nut in *rear of housing only* with one 1/4"-20 bolt. Do not tighten yet, as having the bracket loosely attached simplifies mounting to the workbench top.
4. To attach drawer assembly to workbench top, insert back end of the left drawer bracket diagonally into flange on the rear underside of the top. Then, slide the front of the bracket into the front flange until drawer assembly is aligned evenly with front of workbench top.
5. Insert the back end of the loosely attached right drawer bracket into the flange on the rear underside of the workbench top. Then, slide the front of the bracket into the front flange until bracket is aligned evenly with front of workbench top.
6. Align holes in mounting brackets and top in desired location and secure, using four 1/4"-20 bolts and nuts.
7. Attach front end of bracket to front of housing using one 1/4"-20 bolt and nut. Secure the rear bolt and nut which was left loose in step 4.
9. Insert drawer into housing.

ASSEMBLY FOR WOOD TOP:

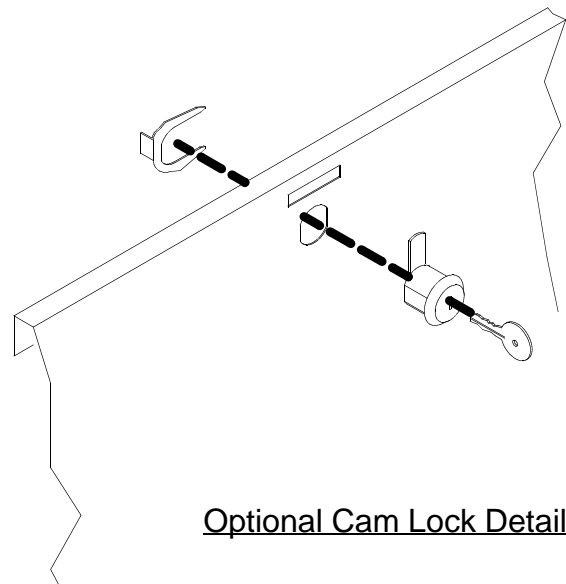
1. Remove drawer (Ref. No. 1) from housing (No. 2) by first pulling it to the full extent that the suspensions allow. Once the drawer is fully open, move the plastic lever inside the suspension member to release the suspension sections. (On one side of the suspension you will need to move the lever up; on the opposite side, you will need to move the lever down.)
2. Using housing as template, mark location of four holes for wood screws onto underside of wood top. (Recommendation: 1/2" offset from front of bench top.) (Note: mounting brackets are not used when installing on a wood top.)
3. Using 5/32" drill bit, drill holes into wood top, drilling about 1/2" to 3/4" deep.
4. Secure housing to top, using four #14-3/4" hex head slotted wood screws.
5. Insert drawer into housing.

ASSEMBLY FOR DRAWER TO DRAWER:

1. Remove drawer (Ref. No. 1) from housing (No. 2) by first pulling it to the full extent that the suspensions allow. Once the drawer is fully open, move the plastic lever inside the suspension member to release the suspension sections. (On one side of the suspension you will need to move the lever up; on the opposite side, you will need to move the lever down.)
2. Bolt housing together with four 1/4"-20 bolts and nuts.
3. Insert drawer into housing.



Plastic Suspension Release Lever



Optional Cam Lock Detail

REFERENCE NUMBER	DESCRIPTION	PARTS NUMBER	QTY.
1	Drawer	976CDW	1
2	Drawer housing	976CDH	1
3	Mounting bracket—30" (sold seperately) OR Mounting bracket—36" (sold seperately)	WBSR-30 WBSR-36	2 2
4	Padlock hasp	976PH	1
5	Tray	976T	1
6	Divider	WBDD-12	1
•	Bolt, 1/4"-20 x 5/8"	*	12
•	Nut, 1/4"-20	*	14
•	Screw, #8-32 x 3/8"	*	2
•	Hex head slotted wood screw, #14 x 3/4"	*	4
◆	Cam lock with keys	◆	1
*	Standard hardware item, available locally		
•	Included in Hardware Package, order Part No. 976HP		
◆	Optional		

Tennsco makes every effort to ensure that all units ship complete with all parts and arrive undamaged. However, should your unit contain missing or damaged parts, replacmenets may be obtained directly from Tennsco. To obtain proper replacement parts, follow the instructions below or fill out the form at www.tennsco.com/replacement.cfm.

TO OBTAIN PROPER REPLACEMENT PARTS, PLEASE PROVIDE THE FOLLOWING INFORMATION:

- Model Number (WBD-1)
- Color
- Your company name
- Purchase Date
- Who product was purchased from
- Contact person's name
- Description of part(s) needed and part number(s) as shown in Parts List (above)

Tennsco Corp., P.O. Box 1888, Dickson, TN 37056-1888 Voice: (866) 446-8686 (toll free) Fax: (800) 722-0134
If requesting parts by telephone, ask for customer service and have as much of the above information ready as possible.

LIMITED WARRANTY

Tennsco warrants goods purchased hereunder to be free of defects in materials and workmanship for a period of one (1) year from the date of shipment, hereunder. This warranty shall not apply in the event goods are damaged as a result of misuse, abuse, neglect, accident, improper application, modification or repair by persons not authorized by Seller, where goods are damaged during shipment, or where the date stamps on the goods have been defaced, modified or removed. UNLESS CONSIDERED UNENFORCEABLE OR UNLAWFUL UNDER APPLICABLE LAW:

- a. ALL IMPLIED WARRANTIES, INCLUDING BUT NOT LIMITED TO WARRANTIES OR MERCHANTABILITY AND FITNESS FOR A PARTICULAR PURPOSE ARE HEREBY EXCLUDED.
- b. BUYERS REMEDY, IF ANY, FOR ANY DEFECTIVE GOODS SHALL BE LIMITED TO A REFUND BY SELLER OR REPLACEMENT OF THE GOODS AT SELLER'S OPTION, AND SHALL IN NO EVENT INCLUDE DAMAGES OF ANY KIND, WHETHER INCIDENTAL, CONSEQUENTIAL OR OTHERWISE.

NO GOODS ACCEPTED FOR RETURN WITHOUT PRIOR APPROVAL. Seller shall have the right to inspect any goods claimed to be defective at Buyers place of business or require Buyer to return the goods to Seller for inspection on Seller's premises. Transportation charges covering returned goods will be borne by Seller only if such goods are proven to be defective, are covered by this warranty and are returned within the warranty period stated above.

TENNSCO CORPORATION
P.O. Box 1888
DICKSON, TN 37056-1888
(615) 446-8000 (800) 446-8686 (toll free)
Website: www.tennsco.com E-mail: Info@tennsco.com