

ELECTRONIC WORKBENCH

READ INSTRUCTIONS CAREFULLY BEFORE ATTEMPTING TO ASSEMBLE YOUR Tennsco ELECTRONIC WORKBENCH.

RETAIN INSTRUCTIONS FOR FUTURE REFERENCE!



DESCRIPTION

Tennsco electronic workbenches are designed for electronic assembly, testing, product development and other uses where access to multiple power outlets is important. The workbench can use either 30" x 60", 30" x 72" wood tops or 36" x 72" steel tops (see below). Workbench legs and frames are box formed for strength and rigidity. Frame front panel has knockouts for four duplex receptacles as well as a switch and circuit breakers (order optional wiring kit separately). Removable cover behind receptacle panel facilitates wiring and prevents contact with rear terminals.

Tennsco tops are available in a choice of two widths and two depths and are pre-drilled for mounting to various workbench bases.

Steel Benchtops (S) are constructed of smooth steel surfaces, reinforced with channels at each end. There are no exposed sharp edges or corners. A steel stringer is included to provide extra rigidity.

Hard Maple Laminate Benchtops (W) are 1³/₄" thick laminated solid hard maple with a smooth oil-seal natural finish.

Plastic Laminate Benchtops (P) are 1⁵/₈" thick with grey linen, maintenance-free, high pressure non-conductive plastic laminate over a compressed wood core with a phenolic backer sheet.

Compressed Wood Benchtops (C) are 1³/₄" thick and constructed of tempered hardboard top and bottom surfaces laminated to a high density compressed wood core. A smooth, sealed finish gives a durable, non-porous surface.

Available options are listed in the replacement parts list included in these instructions.

SPECIFICATIONS

Overall Dimensions

- All 3072 models 72"w x 30"d x 33¹/₂"h
- All 3672 models 72"w x 36"d x 33¹/₂"h

Basic Construction

- Steel Top
 - Top 12 gauge steel
 - Reinforcing Channels 14 gauge steel
- Hard Maple Laminate Top
 - Top Laminated Maple
- Compressed Wood Top
 - Top Hardboard with Compressed Wood Core
- Plastic Laminate Top
 - Top Laminated High Pressure Plastic with Compressed Wood Core
- Panel Legs 16 gauge steel
- Stringer 14 gauge steel
- Wireway Cover 20 gauge steel
- Receptacle Panel 16 gauge steel
- Back Panel 16 gauge steel

Options Available:

- Side and back rails
- Standard and electronic riser
- Lower Shelf
- Stackable Drawer

GENERAL SAFETY INFORMATION

Some parts may have sharp edges. CARE must be taken when handling various pieces to avoid injury. For safety, wear a pair of work gloves when assembling or performing any maintenance on workbench.

Step By Step Installation Instructions

(Proceed to next step on optional items not purchase)

Tools required: Slotted screwdriver, Phillips screwdriver, and 7/16" & 3/8" wrenches or nut drivers (use 2 people for assembly).

1. Place the panel legs (1) in an upright position as shown in Figure 1 of the assembly drawings. The legs should be placed approximately 53" apart for 60" units and 65" apart for 72" units.
2. Place receptacle panel (2) inside panel legs and secure with four 1/4"-20 x 5/8" bolts and nuts. (Stringer mounting holes go to the rear.)
3. Attach stringer (4) [provided with top] to back of panel legs as shown. Fasten with eight 1/4"-20 x 5/8" bolts, nuts and washers.
4. Set back panel (3) inside panel legs and secure with four 1/4"-20 x 5/8" bolts and nuts.

5. **OPTIONAL** Wiring Kit

- 5a. Install optional wiring kit (WK-1) into receptacle panel using the instructions provided with each wiring kit.

DO NOT CONNECT POWER TO UNIT UNTIL ENTIRE UNIT HAS BEEN ASSEMBLED.

6. Attach the wireway cover (5) to the back bottom flange of the receptacle panel with four #10 sheet metal screws.
7. Attach bench top (6) to frame assembly using the applicable instruction below:

Solid Maple Top; Compressed Wood on Wood Top; or Plastic Laminate Top (Figure 2):

- 7a. Place bench top on a smooth, non-marring surface with top side facing down.
- 7b. Attach leg assembly to under side of bench top through pre-drilled holes. Secure with #14 x 3/4" wood screws: six in each panel leg; six in receptacle panel; and six in back panel.
NOTE: When installing a 30" x 60" wood top, the pre-drilled holes will not align. Use a 5/32" drill bit to drill pilot holes along the front and back edges of bench top for attaching receptacle panel (2) and back panel (3).

Steel Top (Figure 3):

- 7a. Place bench top on a smooth, non-marring surface with top side facing down.
 - 7b. Attach leg assembly to under side of bench top through punched holes. Secure with 1/4"-20 x 5/8" bolts and nuts: one in second hole from each corner of top; eight in receptacle panel; and eight in back panel.
 - 7c. Insert channel (7) in each end of bench top.
 - 7d. Align bench top, panel legs, and channel holes. Secure with four 1/4"-20 x 5/8" bolts. Note four weld nuts are provided on channels.
8. Set bench assembly upright and recheck all nuts, bolts and screws for tightness.
 9. **OPTIONAL** Stackable Drawer Attachment (Figure 4):
 - 9a. Remove drawer (15) from housing (16).
 - 9b. Secure lock hasp (17) to housing top using the two 1/4"-20 x 5/8" bolts extended down from top of housing.
 - 9c. Secure long mounting brackets (14) to rear of housing, with bracket flanges turned downward, using four 1/4"-20 x 5/8" bolts and nuts. Bracket should extend 10 1/2" behind housing. (NOTE: When installing drawer onto a wood top, drawer is secured directly into the wood top; no mounting brackets are used. Holes must be drilled as needed.)
 - 9d. ENSURE THAT WORKBENCH POWER SUPPLY IS NOT CONNECTED BEFORE PERFORMING NEXT STEP.
 - 9e. Attach drawer unit to workbench by removing wireway cover from receptacle housing and aligning front slots in top of housing with holes in receptacle panel (short mounting brackets are not used). Secure with two 1/4"-20 x 5/8" bolts and nuts.
 - 9f. Align holes in mounting brackets with holes in back panel flange and secure with two 1/4"-20 x 5/8" bolts and nuts.
 - 9g. Replace wireway cover.
 - 9h. Insert drawer in housing.

10. OPTIONAL Riser Attachment

Standard Riser (Figure 1):

- 10a. Secure riser shelf (9) to supports using two bolts and nuts on each end.
- 10b. Secure riser supports (8) to top end, using four bolts and nuts (or four #14 wood screws for wood tops).

Electronic Riser (Figure 5):

- 10a. Secure riser supports (8), to top end, using four bolts and nuts (or four #14 wood screws for wood tops).
- 10b. Install optional wiring kit into electronic riser shelf (10) using instructions provided with each wiring kit.
DO NOT CONNECT POWER TO UNIT UNTIL ENTIRE UNIT IS ASSEMBLED.
NOTE: If wiring kit was not purchased, proceed to step 10c.
- 10c. Align holes in flanges of wireway trough (11) with holes in riser shelf. Insert four #10 sheet metal screws and tighten.
- 10d. Secure electronic riser shelf (10) to supports, using two bolts and nuts on each end.

Riser to Riser:

- 10a. Secure riser supports to lower riser supports with flange down, using four bolts and nuts.
- 10b. Secure riser shelf to supports using two bolts and nuts on each end.

11. OPTIONAL Side and Back Rail Attachment

- 11a. Bolt side rail (12) to the right side of top end attachment with four bolts and nuts (for wood tops, use #14 wood screws and drill holes as needed). Be sure that the rounded corners of side rail are toward the front of the workbench.
- 11b. Repeat step 11a to install rail for left side.
- 11c. Place back rail (13) across back and around the outside of the side rails. Secure to bench top with five bolts, nuts and washers. (For wood tops use five #14 wood screws). Use two bolts, nuts and washers at each end to fasten to side rails.

LIMITED WARRANTY

Tennsco warrants goods purchased hereunder to be free of defects in materials and workmanship for a period of one (1) year from the date of shipment, hereunder. This warranty shall not apply in the event goods are damaged as a result of misuse, abuse, neglect, accident, improper application, modification or repair by persons not authorized by Seller, where goods are damaged during shipment, or where the date stamps on the goods have been defaced, modified or removed. UNLESS CONSIDERED UNENFORCEABLE OR UNLAWFUL UNDER APPLICABLE LAW:

- a. ALL IMPLIED WARRANTIES, INCLUDING BUT NOT LIMITED TO WARRANTIES OR MERCHANT ABILITY AND FITNESS FOR A PARTICULAR PURPOSE ARE HEREBY EXCLUDED.
- b. BUYERS REMEDY, IF ANY, FOR ANY DEFECTIVE GOODS SHALL BE LIMITED TO A REFUND BY SELLER OR REPLACEMENT OF THE GOODS AT SELLER'S OPTION, AND SHALL IN NO EVENT INCLUDE DAMAGES OF ANY KIND, WHETHER INCIDENTAL, CONSEQUENTIAL OR OTHERWISE.

NO GOODS ACCEPTED FOR RETURN WITHOUT PRIOR APPROVAL. Seller shall have the right to inspect any goods claimed to be defective at Buyers place of business or require Buyer to return the goods to Seller for inspection on Seller's premises. Transportation charges covering returned goods will be borne by Seller only if such goods are proven to be defective, are covered by this warranty and are returned within the warranty period stated above.

TENNSCO CORPORATION
P.O. Box 1888
DICKSON, TN 37056-1888
(615) 446-8000 (800) 251-8184

Hard Maple Laminate Benchtop Maintenance:

Clean when necessary with warm water, soap or detergent. Wipe dry immediately. Scouring powder, steel wool or sandpaper can be used for stubborn stains and mars. Allow a generous quantity of linseed oil or mineral oil to penetrate all surfaces for five minutes before removing all excess oil. Excessive dryness or humidity can cause cracks or warping. Cracks should be filled with wood filler, sanded smooth and re-oiled. Warping can be prevented by securely attaching top to bench legs.

REF. NO.	DESCRIPTION	PART NUMBER	QTY.
1	Panel Legs (All Units)	LP-3230	1 (PR.)
2	Receptical Panel (All Units)	WOP-72	1
3	Back Panel (All Units)	2221ABP-72	1
4	Stringer (60" Wide)	WBS-60	1
	Stringer (72" Wide)	WBS-72	1
5	Wireway Cover (All Units)	221AWC-72	1
6	Steel Bench Top w/Stringer (30" x 60")	T-3060	1
	Steel Bench Top w/Stringer (30" x 72")	T-3072	1
	Steel Bench Top w/Stringer (36" x 72")	T-3672	1
	Compressed Wood on Wood Top w/Stringer (30" x 60")	CT-3060	1
	Compressed Wood on Wood Top w/Stringer (30" x 72")	CT-3072	1
	Compressed Wood on Wood Top w/Stringer (36" x 72")	CT-3672	1
	Plastic Laminate Top w/Stringer (30" x 60")	PT-3060	1
	Plastic Laminate Top w/Stringer (30" x 72")	PT-3072	1
	Plastic Laminate Top w/Stringer (36" x 72")	PT-3672	1
	Solid Maple Top w/Stringer (30" x 60")	MT-3060	1
	Solid Maple Top w/Stringer (30" x 72")	MT-3072	1
	Solid Maple Top w/Stringer (36" x 72")	MT-3672	1
7	Top End Channel (Included w/Top)		
8	Riser Support (All Units)	WBRS-2	2
9	Riser Shelf (60" Wide)	WBRS-60	1
	Riser Shelf (72" Wide)	WBRS-72	1
10	Electronic Riser Shelf (60" Wide)	EWRS-6015	1
	Electronic Riser Shelf (72" Wide)	EWRS-7215	1
11	Wire trough (60" Wide)	EWWT-60	1
	Wire trough (72" Wide)	EWWT-72	1
12	Side Rail (30" Deep Units)	189SS	2
	Side Rail (36" Deep Units)	404SS	2
13	Back Rail (60" Wide)	189BS1	1
	Back Rail (72" Wide)	404BS	1
14	Long Mounting Bracket (WBD-2)	976LB	2
15	Drawer (WBD-2)	976CDW	1
16	Drawer Housing (WBD-2)	976CDH	1
17	Padlock Hasp (WBD-2)	976H	1
18	Tray (WBD-2)	976T	1
19	Divider (WBD-2)	WBDD-12	1
*	Wiring Kit (not shown in figure)	WK-1	1
*	Cam Lock	CL-1	1
•	1/4"-20 x 5/8" Bolt	◆	
•	1/4"-20 Nut	◆	
•	1/4" Lockwasher	◆	
•	#14 x 3/4" Hex Head Slotted Wood Screw	◆	
•	#10 x 1/2" Sheetmetal Screw	◆	
*	Optional Accessory		

Tennsco makes every effort to ensure that all units ship complete with all parts and arrive undamaged. However, should your unit contain missing or damaged parts, replacements may be obtained directly from Tennsco. To obtain proper replacement parts, follow the instructions below:

TO OBTAIN PROPER REPLACEMENT PARTS, PLEASE PROVIDE THE FOLLOWING INFORMATION:

- Model Number
- Description of part(s) needed and part number(s) as shown in Parts List (above)
- Color
- Purchase date
- Your company name
- Contact person's name
- Who the product was purchased from

Tennsco Corp., P.O. Box 1888, Dickson, TN 37056-1888

Voice (800) 251-8184 Fax: (800) 722-0134

If requesting parts by telephone, ask for customer service and have as much of the above information ready as possible.

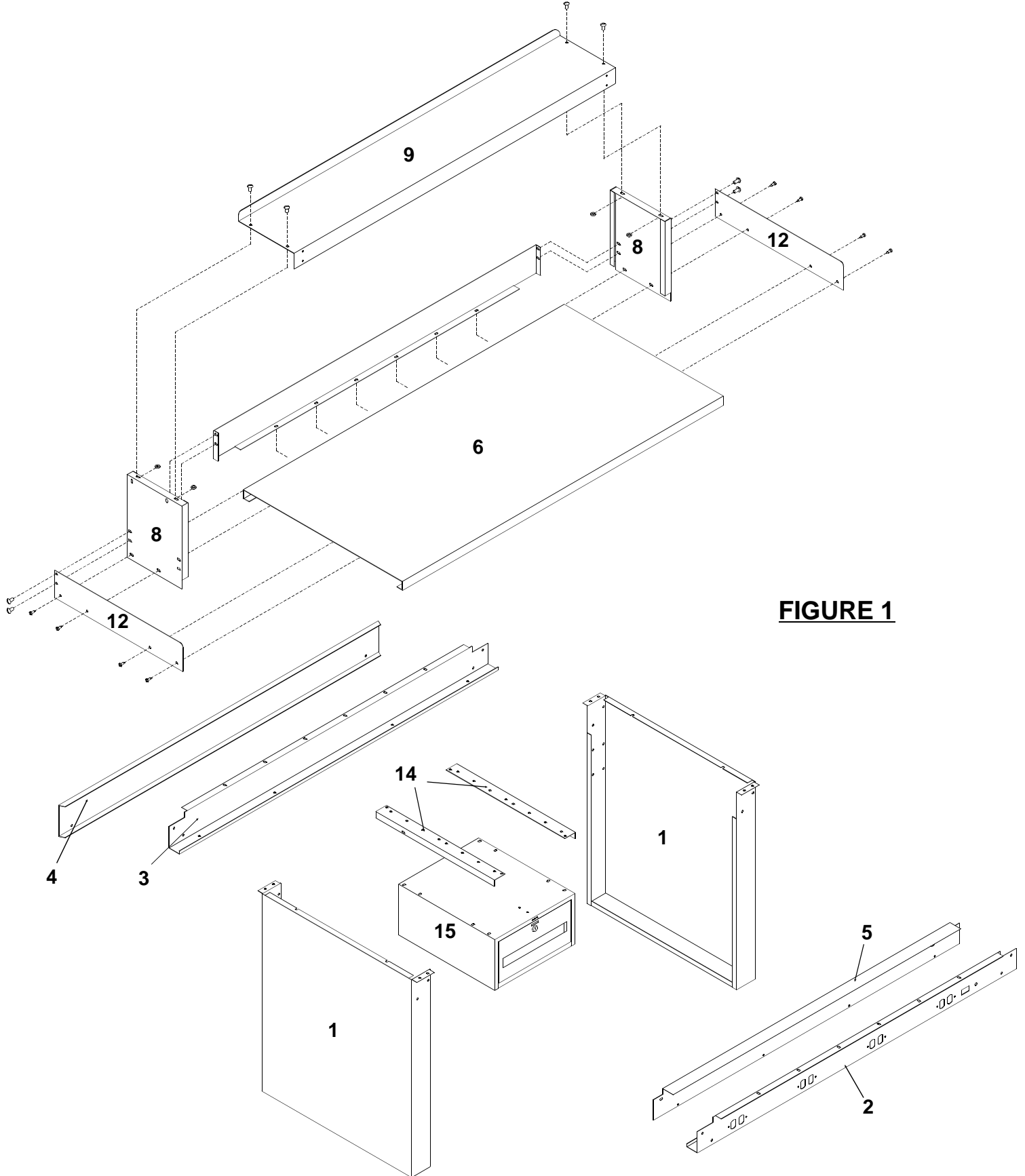


FIGURE 1

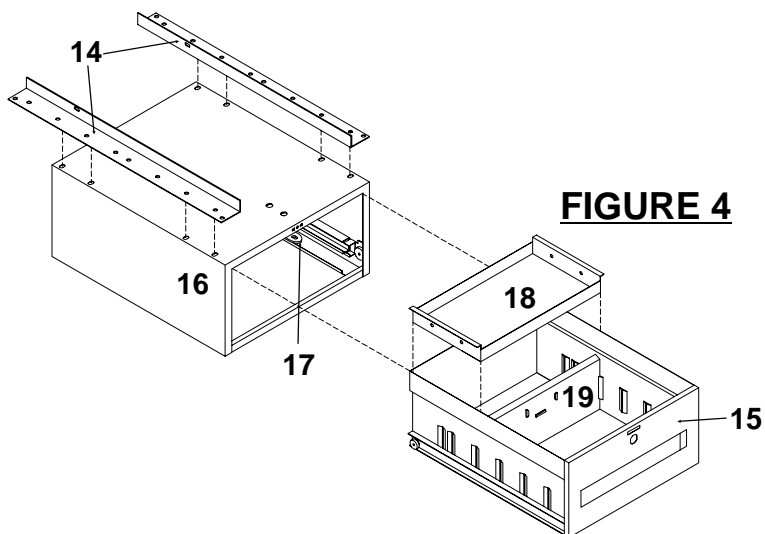
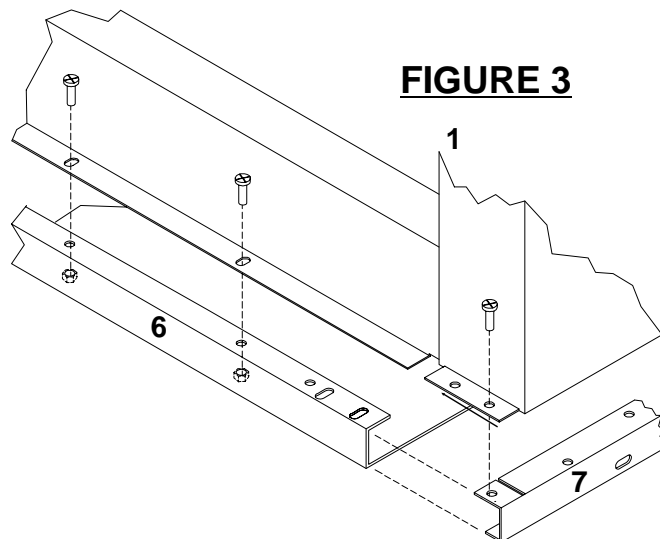
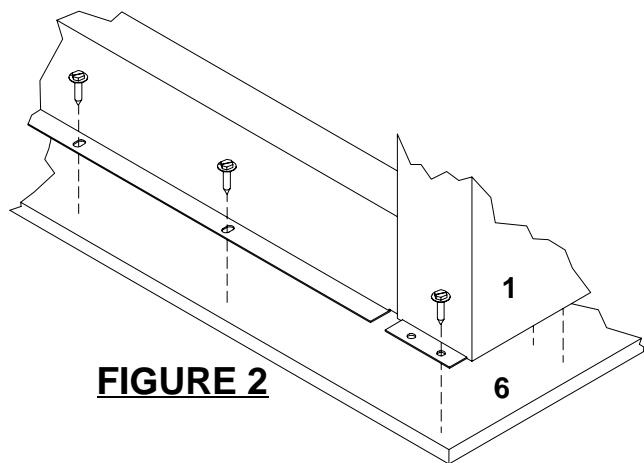
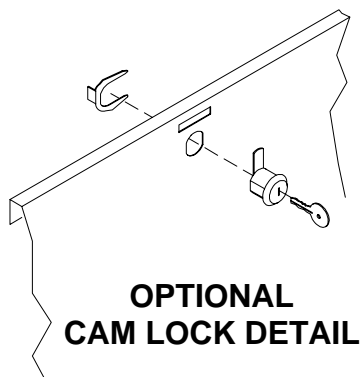
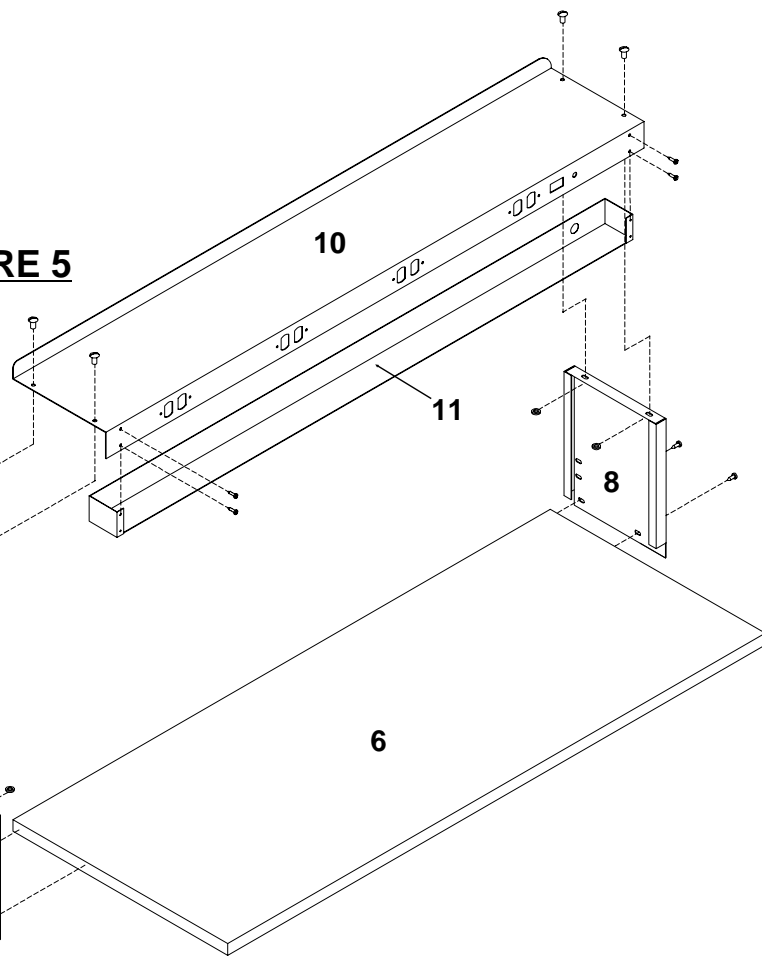


FIGURE 5



DIBUJOS PARA EL ENSAMBLAJE DE LA MESA DE TRABAJOS ELECTRÓNICOS

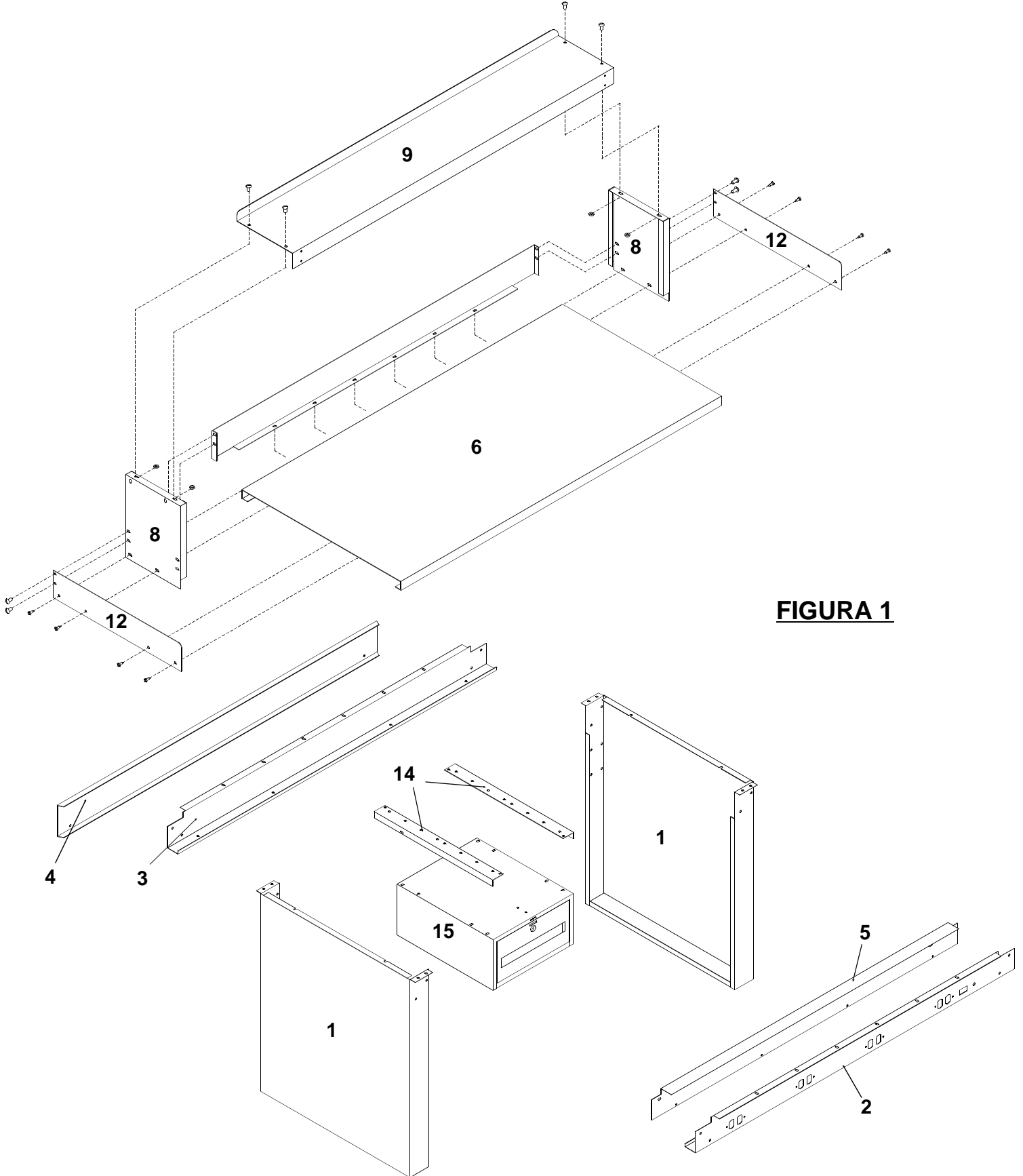


FIGURA 1

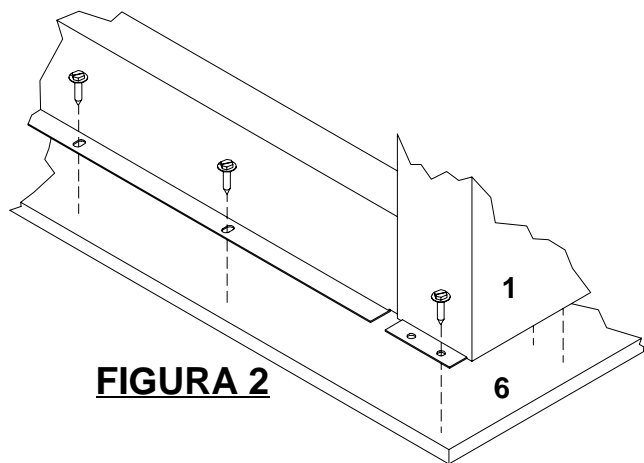


FIGURA 2

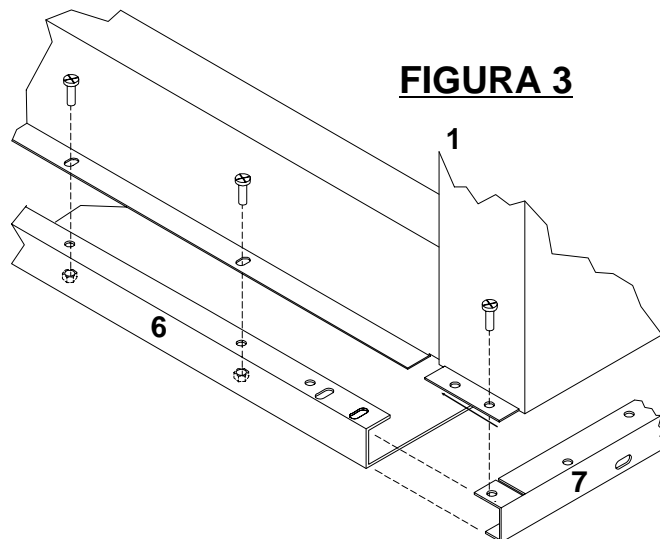


FIGURA 3

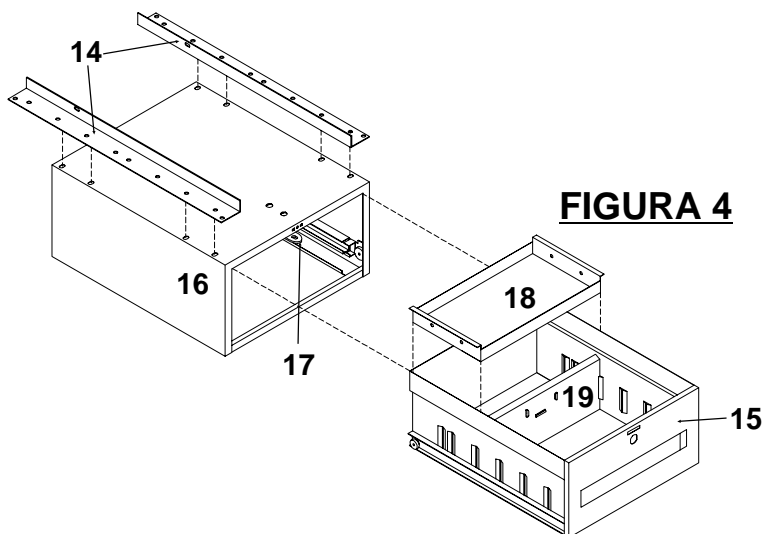
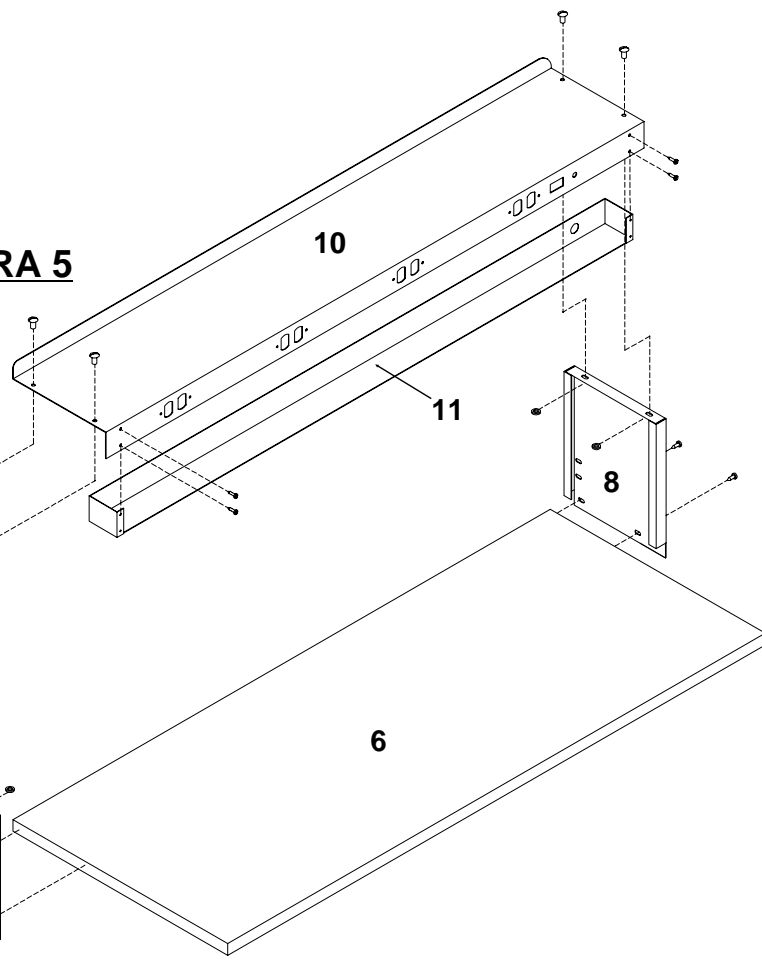


FIGURA 4

FIGURA 5



OPCIÓN - DETALLES DE LA CERRADURA DE LEVA

MESA PARA TRABAJOS ELECTRÓNICOS

Tennsco Corp., Dickson, TN 37056-1888 * (615) 446-8000

ANTES DE INTENTAR EL ENSAMBLAJE DE SU MESA Tennsco PARA TRABAJOS ELECTRÓNICOS, LEA CUIDADOSAMENTE LAS INSTRUCCIONES.

¡ CONSERVE LAS INSTRUCCIONES PARA REFERENCIAS FUTURAS !



DESCRIPCIÓN

Las mesas **Tennsco** para trabajos electrónicos están diseñadas para realizar ensamblajes electrónicos, comprobaciones, desarrollos de productos y otros usos en que disponer de acceso a múltiples salidas de energía eléctrica es muy importante. La mesa de trabajo puede utilizar superficie de trabajo de madera con medidas de 76,2 x 152,4 ó 76,2 x 182,9 cm. También hay superficies de acero de 91,44 x 182,9 cm (ver a continuación). Las patas y estructura de la mesa de trabajo tienen la forma de cajas para fortaleza y rigidez. El panel delantero de la estructura tiene perforaciones para cuatro receptáculos dobles así como un interruptor y disyuntores de circuito (Haga pedido aparte para la opción del conjunto del alambrado). La tapa removible detrás del panel de receptáculos facilita el alambrado y evita el contacto con los terminales traseros.

Las superficies de trabajo **Tennsco** se encuentran disponibles en dos medidas de ancho y dos de profundidad y están previamente perforadas para su montaje en distintas bases de mesas de trabajo.

Superficies de trabajo de Acero (S) están fabricadas en acero con superficies suaves, reforzadas con perfiles de canal en cada extremo. No hay bordes o esquinas agudas. Para proporcionar rigidez adicional se suministra un tirante de acero.

Superficies de trabajo en Laminados de madera de arce duro (W) con un espesor de 4,45 cm hechas con laminado sólido de arce duro en un acabado natural y suave como sello de aceite.

Superficies de trabajo en Laminados de Material Plástico (P) tienen un espesor de 4,13 cm color lino gris, de laminado plástico de alta presión, no conductor, sobre un núcleo de madera comprimida con plancha de respaldo fenólico, libre de mantenimiento.

Superficies de trabajo de madera comprimida (C) tienen un espesor de 4,45 cm y las partes superior e inferior están fabricados con superficies laminadas de planchas duras para producir un núcleo de madera comprimida de alta densidad. Un acabado de sellador imparte suavidad y durabilidad a la superficie no porosa.

Opciones disponibles aparecen relacionadas en la lista de piezas de repuesto incluidas en estas instrucciones.

SPECIFICATIONS

Dimensiones generales

Todos los modelos 3072 .. 182,9 ancho x 76,2 fondo x 85,09 cm alto
 Todos los modelos 3672 .. 182,9 ancho x 91,4 fondo x 85,09 cm alto

Construcción básica

Superficie de trabajo de acero
 Parte superior..... Acero calibre 12
 Canales de refuerzo..... Acero calibre 14
 Superficie de trabajo de Arce duro laminado
 Parte superior Arce Laminado
 Superficie de trabajo de Madera comprimida
 Parte superior..... Planchas duras con núcleo de madera
 Superficie de trabajo de Material Plástico Laminado
 Parte superior Material Plástico Laminado en Alta Presión con núcleo de madera comprimida

Patas de paneles..... acero calibre 16
 Tirante acero calibre 14
 Tapa del alambrado acero calibre 20
 Panel de receptáculos..... acero calibre 16
 Panel trasero..... acero calibre 16

Opciones disponibles:

Carrileras laterales y posteriores
 Estante inferior
 Plataforma estándar y electrónico
 Gavetas apilables

INFORMACIÓN GENERAL SOBRE SEGURIDAD

Algunas piezas pudieran tener bordes agudos. Para evitar lesiones se debe tener CUIDADO al manipular las distintas piezas. Para fines de seguridad, use guantes de trabajo al ensamblar o realizar cualquier labor de mantenimiento en la mesa de trabajo.

Instrucciones para Instalación, Paso a Paso

(En aquellos artículos electivos no adquiridos, siga al paso inmediato)

Herramientas necesarias: Destornillador plano, destornillador Phillips, llaves de 7/16" y 3/8" o colocador de tuercas de las mismas medidas; (hacen falta 2 personas para realizar el ensamblaje).

1. Coloque verticalmente las patas (1) del panel como se muestra en la Figura 1 del dibujo de ensamblaje. Las patas se deben situar aproximadamente a 134,6 cm entre sí para las unidades de 152,4 cm y con una separación entre patas de 165,1 cm para las unidades de 182,9 cm.
2. Coloque el panel de receptáculos (2) dentro del panel de las patas y asegúrelo con cuatro pernos de 1/4"-20 x 5/8" y sus tuercas correspondientes. (Los orificios de montaje del tirante van situados hacia atrás.)
3. Cada tirante (4) [suministrado con la superficie de trabajo] se coloca hacia la parte posterior de las patas del panel, tal como se muestra en las figuras. Sujételos con ocho pernos de 1/4"-20 x 5/8" y sus correspondientes tuercas y arandelas.
4. Coloque el panel trasero (3) dentro de las patas del panel y sujételo con cuatro pernos de 1/4"-20 x 5/8" y sus tuercas correspondientes.
5. **OPCIÓN** de Conjunto de Alambrado
 - 5a. Instale el conjunto electivo del alambrado (WK-1) dentro del panel de receptáculos haciendo uso de las instrucciones suministradas con cada conjunto de alambrado.
6. Coloque las cubiertas de acceso al conducto del alambrado (5) en la brida de la parte inferior trasera del panel de receptáculos empleando cuatro tornillos #10 del tipo empleado para sujetar planchas metálicas.
7. Coloque la superficie de trabajo (6) al conjunto de la estructura haciendo uso de las instrucciones apropiadas que se citan a continuación:

Superficie de trabajo de Arce Sólido; Madera comprimida en superficie de trabajo de Madera; Superficie de trabajo de material plástico laminado (vea la Figura 2):

- 7a. Coloque la superficie de trabajo encima de un área suave incapaz de hacer marcas o rayas, con su parte superior apuntando hacia abajo.
- 7b. Sujete el conjunto de las patas a la parte inferior de la superficie de trabajo a través de los orificios previamente confeccionados. Asegure las patas con tornillos para madera #14 x 3/4": seis tornillos en cada pata del panel; seis tornillos en el panel de receptáculos y seis tornillos en el panel trasero.
NOTA: Al instalar una superficie de trabajo de madera de 76,2 cm x 152,4 cm los orificios previamente taladrados no quedarán en línea. Use una barrena de 5/32" para perforar orificios piloto a lo largo de los bordes delantero y trasero de la superficie de trabajo para sujetar el panel de receptáculos (2) y el panel trasero (3).

Superficie de trabajo de acero (Figura 3):

- 7a. Coloque la superficie de trabajo encima de una superficie suave incapaz de hacer marcas o rayas, con su parte superior apuntando hacia abajo.
- 7b. Sujete el conjunto de las patas a la parte inferior de la superficie de trabajo a través de los orificios previamente confeccionados. Asegúrelos usando pernos de 1/4"-20 x 5/8" y sus tuercas; uno en el segundo orificio de cada esquina de la superficie de trabajo; ocho pernos en el panel de receptáculos y ocho pernos en el panel trasero.
- 7c. Introduzca el perfil de canal (7) en cada extremo de la superficie de trabajo. Insert channel (7) in each end of bench top.
- 7d. Ponga en línea la superficie de trabajo, las patas del panel y los orificios de los perfiles de canal. Asegúrelos con cuatro pernos de 1/4"-20 x 5/8". Observe que los canales tienen sus cuatro tuercas soldadas.
8. Sitúe la mesa de trabajo en su posición normal vertical y verifique que estén bien apretadas todas las tuercas, pernos y tornillos.
9. **OPCIÓN** de Aditamento de Gavetas Apilables (Figura 4):
 - 9a. Remueva la gaveta (15) de la caja (16).
 - 9b. Asegure el picaporte de la cerradura (17) a la parte superior de la caja utilizando dos pernos de 1/4"-20 x 5/8" introducidos desde la parte superior de la caja.
 - 9c. Asegure los marcos de montaje largos (14) a la parte trasera de la caja con las bridas de los marcos apuntando hacia abajo empleando cuatro pernos 1/4"-20 x 5/8" y sus tuercas. Los marcos deben extenderse 26,7 cm por detrás de la caja. (NOTA: Al instalar una gaveta sobre una superficie de trabajo de madera, la gaveta se asegura directamente contra la superficie de madera; no se emplean marcos de montaje. Los orificios hay que taladrarlos según sean necesarios.
 - 9d. **CERCIORESE QUE LA ENERGÍA ELÉCTRICA NO SE CONECTE A LA MESA DE TRABAJO ANTES DE REALIZAR EL PRÓXIMO PASO.**
 - 9e. Sujete la unidad de la gaveta a la mesa de trabajo removiendo la cubierta del conducto de cables de la caja de receptáculos y alineando las ranuras delanteras en la parte superior de la caja con los orificios del panel de receptáculos (no se usan los marcos de montaje cortos). Asegúrelos con dos pernos de 1/4"-20 x 5/8" y sus tuercas.
 - 9f. Pongo en línea los orificios del marco de montaje con los orificios de la brida del panel trasero y asegúrelos con dos pernos de 1/4"-20 x 5/8" y sus tuercas.
 - 9g. Vuelva a colocar la tapa del conducto de cables.
 - 9h. Introduzca la gaveta en la caja.

10. OPCIÓN Sujeción de la plataforma

Plataforma Estándar (Figura 1):

- 10a. Asegure la plataforma (9) a sus apoyos empleando dos pernos y dos tuercas en cada extremo.
- 10b. Asegure los apoyos (8) de la plataforma al extremo superior empleando cuatro pernos y tuercas o cuatro tornillos para madera del #14 en las superficies de trabajo de madera.

Plataforma Electrónica (Figura 5):

- 10a. Asegure los apoyos (8) de la plataforma al extremo superior empleando cuatro pernos y tuercas o cuatro tornillos para madera del #14 en las superficies de trabajo de madera.
- 10b. Instale el conjunto de alambres opcional dentro de la plataforma electrónica (10) empleando las instrucciones provistas con cada conjunto de alambres.

NO CONECTE LA ENERGÍA ELÉCTRICA A LA UNIDAD HASTA NO HABER ENSAMBLADO TODA LA UNIDAD.

NOTA: Si no se compró el conjunto de alambres, siga al paso 10c.

- 10c. Ponga en línea los orificios de las bridas del conducto de alambres (11) con los orificios de la plataforma. Introduzca cuatro tornillos #10 para planchas metálicas y apriételes.
- 10d. Asegure la plataforma electrónica (10) a sus apoyos empleando dos pernos y tuercas en cada extremo.

Plataforma a Plataforma:

- 10a. Asegure los apoyos de la plataforma a los apoyos de la plataforma inferior con la brida hacia abajo empleando cuatro pernos y tuercas. Secure riser supports to lower riser supports with flange downward, using four bolts and nuts.
- 10b. Asegure la plataforma a los apoyos empleando dos pernos y tuercas en cada extremo.

11. OPCIÓN Aditamento de carrilera lateral y carrilera trasera

- 11a. Sujete con pernos la carrilera lateral (12) al costado derecho del extremo superior del aditamento empleando cuatro pernos y tuercas (para superficies de trabajo de madera use tornillos para madera del #14 y taladre los agujeros según sea necesario). Esté seguro que las esquinas redondeadas de la carrilera lateral apuntan hacia la parte delantera de la mesa de trabajo.
- 11b. Repita el paso (11a) para instalar la carrilera en el costado izquierdo.
- 11c. Coloque la carrilera trasera (3) a través de la parte trasera y alrededor del exterior de las carrileras laterales. Asegúrela a la parte superior de la mesa de trabajo empleando cinco pernos, tuercas y arandelas (para mesas de madera use cinco tornillos #14 para madera). Use dos pernos, tuercas y arandelas en cada extremo para sujetarlo a las carrileras laterales.

GARANTÍA LIMITADA

Tennsco garantiza que los productos adquiridos a tenor de este documento, se encuentran libres de defectos por materiales y proceso de fabricación durante un período de un (1) año, a partir de la fecha de embarque. Esta garantía no surte efecto si la mercancía es dañada como resultado de mal uso, abuso, negligencia, accidente, uso inadecuado, modificación o reparación por personas no autorizadas por el Vendedor. o por daños sufridos en tránsito, o cuando las fechas troqueladas en las mercancías han sido deformadas, modificadas o removidas. A MENOS QUE SE CONSIDERE INVÁLIDO O ILEGAL BAJO LEYES VIGENTES:

- a. QUEDAN POR ESTE MEDIO EXCLUIDAS TODAS LAS GARANTÍAS IMPLÍCITAS SIN LIMITACIONES EN CUANDO A GARANTÍAS DE COMERCIALIZACIÓN E IDONEIDAD PARA FINES PARTICULARES.
- b. LOS RECURSOS DEL COMPRADOR, SI LOS HUBIESE, POR CUALQUIER MERCANCÍA DEFECTUOSA ESTARÁ LIMITADA A UN REEMBOLSO POR PARTE DEL VENDEDOR O A LA SUSTITUCIÓN DE LA MERCANCÍA, A OPCIÓN DEL VENDEDOR Y EN NINGÚN CASO CONTEMPLARA DAÑOS DE NINGUNA ESPECIE, YA SEAN INCIDENTALES, EMERGENTES O DE CUALQUIER OTRO TIPO.

NO SE ACEPTARA DEVOLUCIÓN DE MERCANCÍA SIN APROBACIÓN PREVIA. El vendedor tendrá el derecho de inspeccionar cualquier mercancía reclamada como defectuosa, en el lugar de negocios del Comprador, o requerirá al Comprador la devolución de la mercancía al lugar de negocios del Vendedor para su inspección. Los gastos de transporte solamente serán asumibles por el Vendedor si la mercancía se comprueba deficiente y es devuelta dentro del período de garantía indicado anteriormente.

TENNSCO CORPORATION
P.O. Box 1888
DICKSON, TN 37056-1888 USA

Mantenimiento De La Superficie De Trabajo Del Laminado De Arce Duro:

Cuando sea necesario, límpiense con agua tibia, jabón o detergente. Séquela inmediatamente. Para las manchas persistentes y rayaduras se puede usar polvo de fregar, lana de acero o papel de lija. Deje que una cantidad generosa de aceite de linaza o aceite mineral penetre todas las superficies durante cinco minutos antes de remover el exceso de aceite. La sequedad excesiva o la humedad pueden provocar cuarteaduras o pandeos. Las cuarteaduras deben arreglarse con relleno de madera, esmerilarla suavemente y volver a impregnarlas de aceite. Los pandeos se pueden evitar sujetando con toda seguridad la superficie de trabajo a las patas de la mesa de trabajo.

NO.	DESCRIPCIÓN	NO. DE PIEZA	CTD.
1	Patas de Panel (Todas las unidades)	LP-3230	1 (Par)
2	Panel de Receptáculos (Todas las unidades)	WOP-72	1
3	Panel trasero (Todas las unidades)	2221ABP-72	1
4	Tirante (152,4 cm ancho)	WBS-60	1
	Tirante (182,9 cm ancho)	WBS-72	1
5	Tapa conducto de alambres (Todas las unidades)	221AWC-72	1
6	Superficie de trabajo de acero contirante (76,2 x 152,4 cm)	T-3060	1
	Superficie de trabajo de acero con tirante (76,2 cm x 182,9 cm)	T-3072	1
	Superficie de trabajo de acero con tirante (91,44 cm x 182,9 cm)	T-3672	1
	Madera comprimida en Superficie de trabajo de madera con tirante (76,2 cm x 152,4 cm)	CT-3060	1
	Madera comprimida en Superficie de trabajo de madera con tirante (76,2 cm x 182,9 cm)	CT-3072	1
	Madera comprimida en Superficie de trabajo de madera con tirante (91,44 cm x 182,9 cm)	CT-3672	1
	Superficie de trabajo de material plástico laminado con tirante (76,2 cm x 152,4 cm)	PT-3060	1
	Superficie de trabajo de material plástico laminado con tirante (76,2 cm x 182,9 cm)	PT-3072	1
	Superficie de trabajo de material plástico laminado con tirante (91,44cm x 182,9 cm)	PT-3672	1
	Superficie de trabajo de arce sólido con tirante (76,2 cm x 152,4 cm)	MT-3060	1
	Superficie de trabajo de arce sólido con tirante (76,2 cm x 182,9 cm)	MT-3072	1
	Superficie de trabajo de arce sólido con tirante (91,44 cm x 182,9 cm)	MT-3672	1
7	Canal extremo de la superficie de trabajo (incl. con superf. de trabajo)		
8	Apoyo de la plataforma (todas las unidades)	WBRS-2	2
9	Plataforma (152,4 cm ancho)	WBRS-60	1
	Plataforma (182,9 cm ancho)	WBRS-72	1
10	Plataforma electrónica (152,4 cm ancho)	EWRS-6015	1
	Plataforma electrónica (182,9 cm ancho)	EWRS-7215	1
11	Conducto para alambres (152,4 cm ancho)	EWWT-60	1
	Conducto para alambres (182,9 cm ancho)	EWWT-72	1
12	Carrilera lateral (Unidades de 76,2 cm fondo)	189SS	2
	Carrilera lateral (Unidades de 91,4 cm fondo)	404SS	2
13	Carrilera trasera (Unidades de 152,4 cm ancho)	189BS1	1
	Carrilera trasera (Unidades de 182,9 cm ancho)	404BS	1
14	Marco de montaje largo (WBD-2)	976LB	2
15	Gaveta (WBD-2)	976CDW	1
16	Caja de la gaveta (WBD-2)	976CDH	1
17	Ojales para el candado (WBD-2)	976H	1
18	Bandeja (WBD-2)	976T	1
19	Plancha divisora (WBD-2)	WBDD-12	1
*	Conjunto de alambrado (no aparece en figura)	WK-1	1
*	Cerradura por leva	CL-1	1
	• Pernos 1/4"-20 x 5/8"	◆	
	• Tuerca 1/4"-20	◆	
	• Arandela de seguridad de 1/4"	◆	
	• Tornillo para madera, cabeza exagonal/ranurada #14 x 3/4"	◆	
	• Tornillo para plancha metálica #10 x 1/2"	◆	
*	Accesorios opcionales		
◆	Herraje estándar, disponible localmente		

Tennsco hace todo el esfuerzo posible para asegurar que todas las unidades se despachen con todas sus piezas completas y que lleguen a su destino sin daños. Sin embargo, si su unidad acusa falta de piezas o piezas dañadas, los repuestos se pueden obtener directamente en Tennsco. Para obtener las piezas de repuesto apropiadas, siga las instrucciones indicadas a continuación:

PARA OBTENER LAS PIEZAS DE REPUESTO APROPIADAS, POR FAVOR SUMINISTRE LA INFORMACIÓN SIGUIENTE:

- Número del modelo
- Descripción de la(s) pieza(s) necesaria y su número de pieza según la Lista anterior
- Color
- Fecha de compra
- Nombre de su compañía
- Nombre de la persona a contactar
- A quien se le compró el producto

Tennsco Corp., P.O. Box 1888, Dickson, TN 37056-1888 Estados Unidos de América

Teléfono (615) 446-8000 Fax: (615) 446-7224

Si realiza el pedido por teléfono, solicite el departamento de servicio a los clientes y por favor, tenga lista la mayor cantidad de información posible según indicada anteriormente.