

**READ INSTRUCTIONS CAREFULLY BEFORE ATTEMPTING TO ASSEMBLE YOUR Tennsco TECHNICAL WORKSTATION.**

**RETAIN INSTRUCTIONS FOR FUTURE REFERENCE!**



**DESCRIPTION**

The **Tennsco** Technical Workstation is designed for use in today's high technology manufacturing environment. Applications include assembly operations, engineering, product testing, research and development, as well as field service and technical training. They provide a well organized sturdy and aesthetically pleasing work environment, which improves product quality, reduces cost and promotes improved worker satisfaction.

A heavy-gauge steel frame supports the worksurface as well as modular accessories, such as instrument shelves, electrical power rails, storage drawers, task lighting, cantilever shelves and other accessories. Superior standard features, such as the adjustable footrest, comfort-radiused edging on all worksurfaces and fast assembly construction, provide the user with the cost justification demanded by progressive management.

**SIZE INFORMATION**

Basic Workstations are available in widths of 48", 60", 72" and 96"; depths of 30" and 36"; heights of 30" and 34".

Instrument shelves are available in lengths of 60", 72" and 96" and are 15" deep and 18" high.

Electrical Power Rails are available to fit 48", 60", 72" and 96" length workstations and instrument shelves.

Storage Drawer Units are available in single drawer storage, two drawer storage/file drawer combination and three drawer storage configurations.

Cantilever Accessory Racks are available in a width of 36" and heights of 24" and 40".

Cantilever Accessories, including shelves with dividers and bin rails, are 36" long; task lighting is 60" long.

**GENERAL SAFETY INFORMATION**

Some parts may have sharp edges. CARE must be taken when handling various pieces to avoid injury. For safety, wear a pair of work gloves when assembling or performing any maintenance on workstation.

REFERENCE NUMBER	DESCRIPTION	PARTS NUMBER	QTY.	STANDARD OR OPTION
<b>WORKSTATION COMPONENTS</b>				
1	Workstation top (STD)	TWDT-wwdd	1	Standard
1	Workstation top (static control)	TWST-wwdd	1	Option
2	Workstation leg assembly	TWLA-ddhh	2	Standard
3	Support channel reinforcing plate—1½"	(Ref. #4)	4	Standard
4	Standard support channel—pair	TWSC-ww	1	Standard
4	Electric support channel—pair (shown)	TWSC-E-ww	1	Option
5	Workstation footrest	TWFR-ww	1	Standard
6	Leveler glide	(Ref. #2)	4	Standard
10	Electric support channel wire cover	(Ref. #4)	1	Option
•	5/16"-18 x 1¼" carriage bolt	◆	8	Standard
•	5/16" lockwasher	◆	8	Standard
•	5/16"-18 nut	◆	8	Standard
•	¼"-20 x 5/8" slotted truss head bolt	◆	4	Standard
<b>INSTRUMENT SHELF COMPONENTS</b>				
3	Support channel reinforcing plate—1¼"	(Ref. #4)	4	Standard
4	Standard support channel—pair	TWSC-ww	1	Standard
4	Electric support channel—pair (shown)	TWSC-E-ww	4	Option
7	Instrument shelf	TWSC-ww	1	Standard
7	Instrument shelf (static control)	TWSU-ww-S	1	Option
8	Instrument shelf upright assembly	TWUA-1518	2	Standard
9	Adjusting screw	◆	2	Standard
•	Task light for instrument shelf	TWCLT-48		Option
10	Electric support channel wire cover	(Ref. #4)	1	Option
<b>DRAWER UNIT COMPONENTS</b>				
11	Drawer mounting brackets—pair	TWDBK-dd	1/unit	Standard
12	Drawer pedestal unit—1 drawer (shown)	TWD-10	as ordered	as ordered
12	Drawer pedestal unit—2 drawers	TWD-20	as ordered	as ordered
12	Drawer pedestal unit—3 drawers	TWD-30	as ordered	as ordered
•	¼"-20 x 5/8" slotted truss head bolt	◆	4	Standard
•	¼"-20 J-Clip	◆	4	Standard
◆	Standard hardware item, available locally			
•	Not Shown in figure			

**ORDER REPLACEMENT PARTS THROUGH DEALER FROM WHOM PRODUCT WAS PURCHASED**

Please Provide the following information:

- Model Number
- Part Description and Number as Shown Above
- Color

If dealer cannot supply, order from:

Tennsco Corp.  
201 Tennsco Drive  
Dickson, TN 37056-1888  
(615) 446-8000 (800) 251-8184

**LIMITED WARRANTY**

Tennsco warrants goods purchased hereunder to be free of defects in materials and workmanship for a period of one (1) year from the date of shipment, hereunder. This warranty shall not apply in the event goods are damaged as a result of misuse, abuse, neglect, accident, improper application, modification or repair by persons not authorized by Seller, where goods are damaged during shipment, or where the date stamps on the goods have been defaced, modified or removed. UNLESS CONSIDERED UNENFORCEABLE OR UNLAWFUL UNDER APPLICABLE LAW:

- ALL IMPLIED WARRANTIES, INCLUDING BUT NOT LIMITED TO WARRANTIES OR MERCHANT ABILITY AND FITNESS FOR A PARTICULAR PURPOSE ARE HEREBY EXCLUDED.
- BUYERS REMEDY, IF ANY, FOR ANY DEFECTIVE GOODS SHALL BE LIMITED TO A REFUND BY SELLER OR REPLACEMENT OF THE GOODS AT SELLER'S OPTION, AND SHALL IN NO EVENT INCLUDE DAMAGES OF ANY KIND, WHETHER INCIDENTAL, CONSEQUENTIAL OR OTHERWISE.

NO GOODS ACCEPTED FOR RETURN WITHOUT PRIOR APPROVAL. Seller shall have the right to inspect any goods claimed to be defective at Buyers place of business or require Buyer to return the goods to Seller for inspection on Seller's premises. Transportation charges covering returned goods will be borne by Seller only if such goods are proven to be defective, are covered by this warranty and are returned within the warranty period stated above.

## Assembly of Technical Workstation

Tools required: Rubber Mallet, slotted screwdriver, and a ratchet with  $\frac{1}{2}$ " and  $\frac{7}{16}$ " sockets (a socket extension is desirable).

### BASIC WORKSTATION (Refer to Figure 1):

- Carefully remove all parts and hardware from packaging, identifying each item with parts list shown on the back of this instruction sheet. Hardware for the basic unit is packaged with the leg assembly.
- Attach a reinforcing plate (Ref. No. 3) to each end of support channel (Ref. No. 4) with  $\frac{5}{16}$ "-18 x  $1\frac{1}{4}$ " carriage bolts, lock washers and nuts. At this time, hand tighten only so that  $\frac{1}{4}$ " of space remains between reinforcing plate and end of support channel.
- Repeat step 2 for remaining support channel.
- Attach footrest (Ref. No. 5) by positioning hanger brackets of footrest into adjusting channel (lower member) of both leg assemblies (Ref. No. 2), making sure that the black slip resistant surface of the footrest is facing the working side of the workstation. Lock brackets into slots at desired position.

**NOTE:** Footrest assembly is not designed for use on 30" high workstations equipped with optional TWD-20 or TWD-30 drawer units.

- Locate previously assembled support channels to leg assemblies (Ref. No. 2) by sliding slotted side of leg assemblies in position between reinforcing plate and end of support channel.
- If drawer units are to be installed, refer to DRAWER UNITS section on next page.
- Position top (Ref. No. 1) onto previously assembled frame, taking care to line up threaded inserts with slots in leg assembly upper member.
- Secure top to frame with  $\frac{1}{4}$ "-20 x  $\frac{5}{8}$ " slotted truss-head bolt.
- Tighten all bolts, taking care that all parts are properly seated.
- Unit may be leveled to suit by adjusting leveling screws at bottom of each leg (Ref. No. 6).

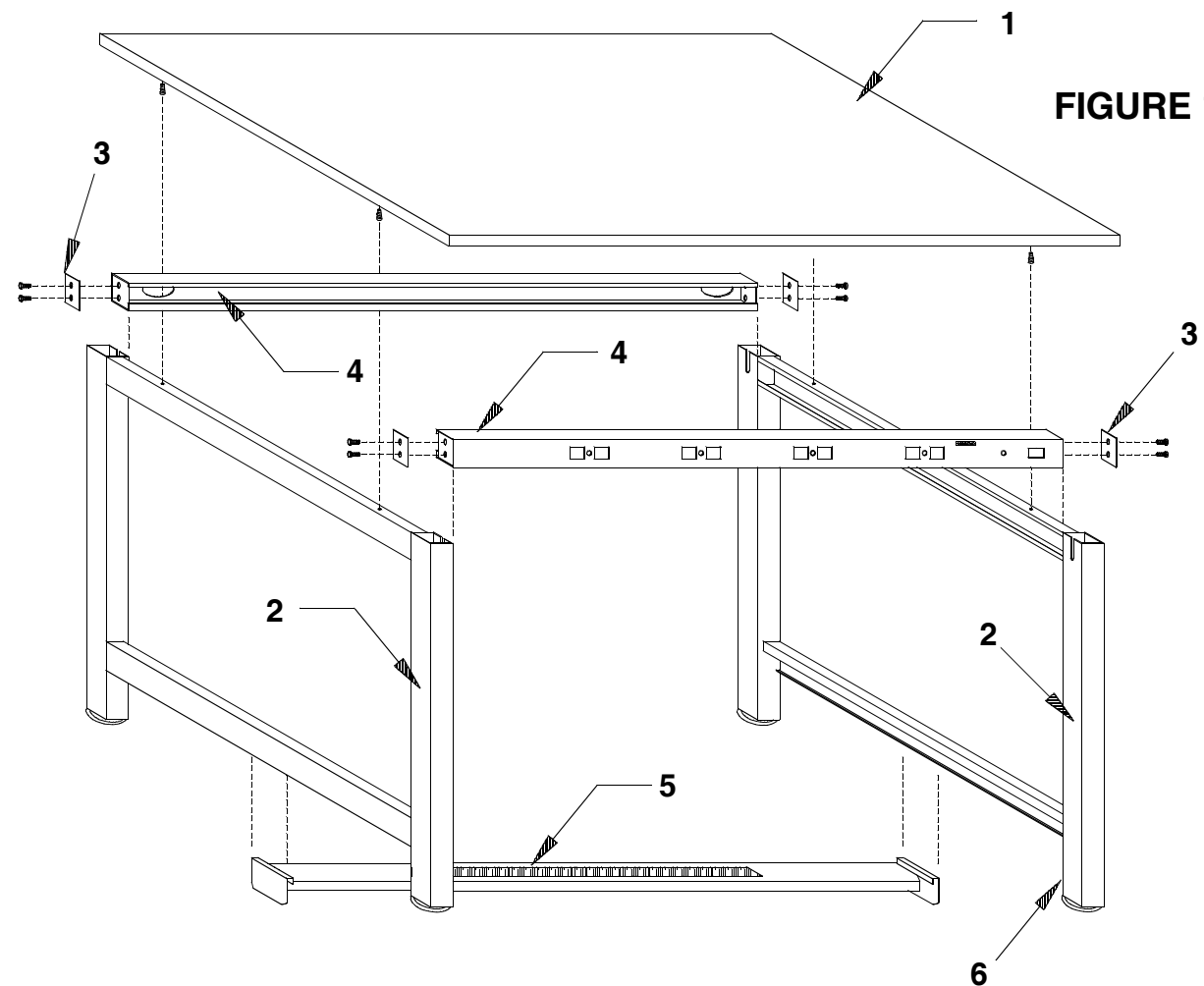


FIGURE 1

### INSTRUMENT SHELF (Refer to Figure No. 2)

- Place top (Ref. No. 7) on either padded sawhorses or on protected floor so that the threaded inserts on the underside of the top face upward.
- Attach a reinforcing plate (Ref. No. 3) to each end of support channel (Ref. No. 4) with  $\frac{5}{16}$ "-18 x  $1\frac{1}{4}$ " carriage bolts, lock washers and nuts. (Tighten only slightly at this time, leaving  $\frac{1}{4}$ " of space remaining between reinforcing plate and end of support channel).
- Repeat step 2 for remaining support channel.
- Place support channels into approximate position on the top and slide slotted side of upright assemblies (Ref. No. 8) into place between support channel ends and reinforcing plate (do not tighten at this time).
- Attach upright assemblies to top with  $\frac{1}{4}$  x 20 x  $\frac{5}{8}$ " slotted, truss head bolts.
- Insert adjusting screws (Ref. No. 9) into bottom of upright assemblies for clamping onto workstation top.
- Tighten all bolts, taking care that all parts are properly seated.

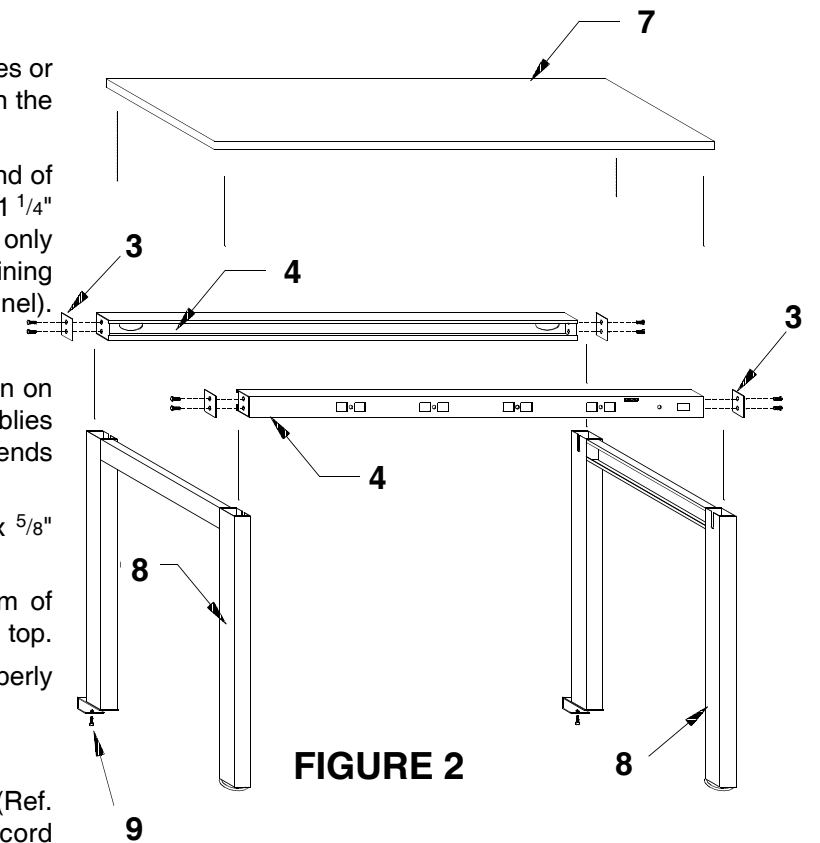


FIGURE 2

### ELECTRICAL POWER RAILS (Refer to Figure 3)

- Separate wire cover (Ref. No. 10) from power rail (Ref. No. 4) by removing screws, leaving power cord attached.
- Follow assembly instructions for workstations or instrument shelves, treating power rails in same manner as standard support rails.
- Replace wire cover by securing with self tapping screws, previously removed, making certain that wires are not trapped under cover.
- Finish assembly by completing the assembly instructions for workstations or instrument shelves.

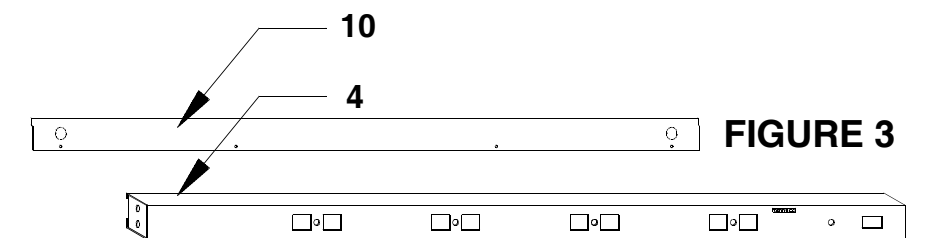


FIGURE 3

### DRAWER UNITS (Refer to Figure 4)

**Note:** Completed drawer assembly must be located onto workstation prior to attaching top to frame.

- Position drawer hanger brackets (Ref. No. 11) on top of mounting channels of drawer unit (Ref. No. 12) as shown in Figure 4. Secure with  $\frac{1}{4}$  x 20 x  $\frac{5}{8}$  bolt and J-clip.
- Lift assembly over workstation frame and lower into position, making certain that the brackets seat over support channel rails on workstation securely (Individual drawers may be removed to lighten unit).
- Position drawer assembly at desired location before attaching top.
- Complete workstation assembly by referring back to BASIC WORKSTATION step 6.

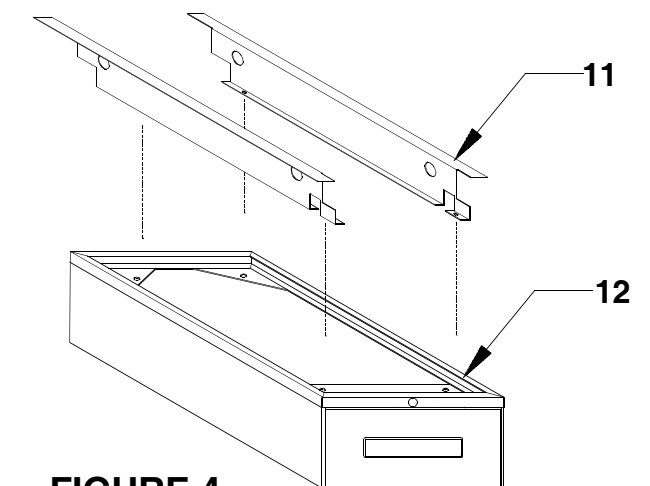


FIGURE 4